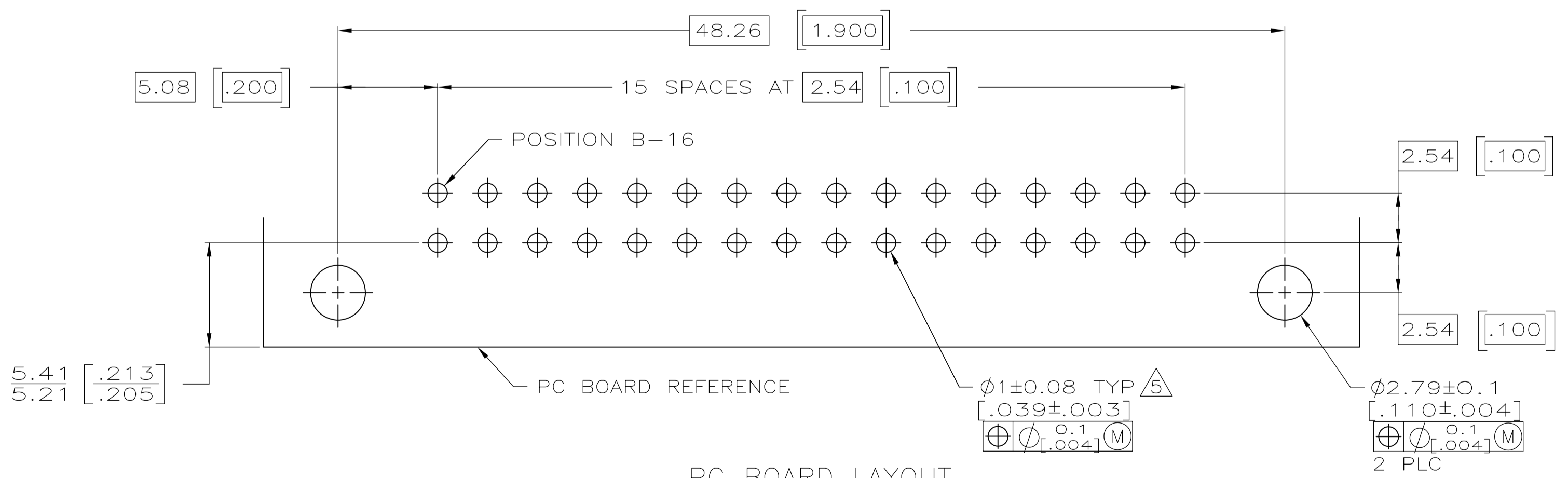
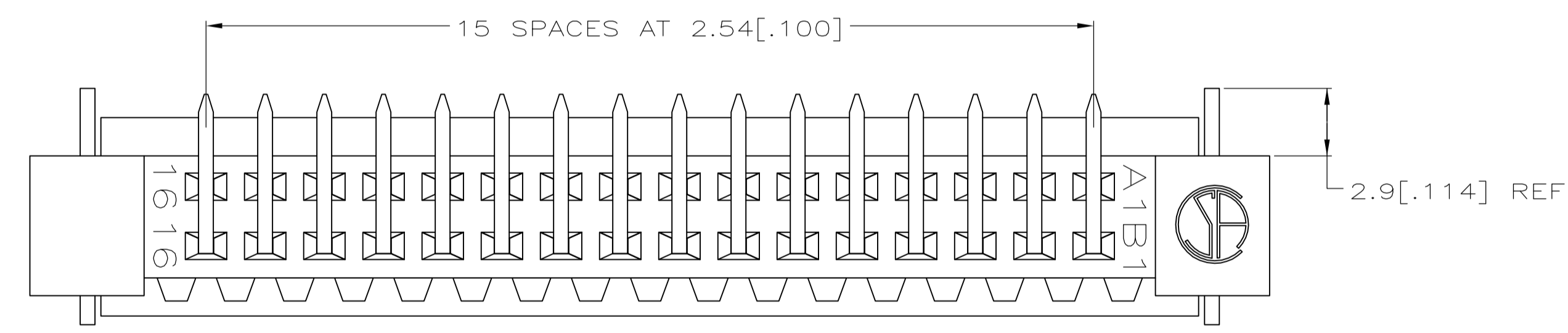
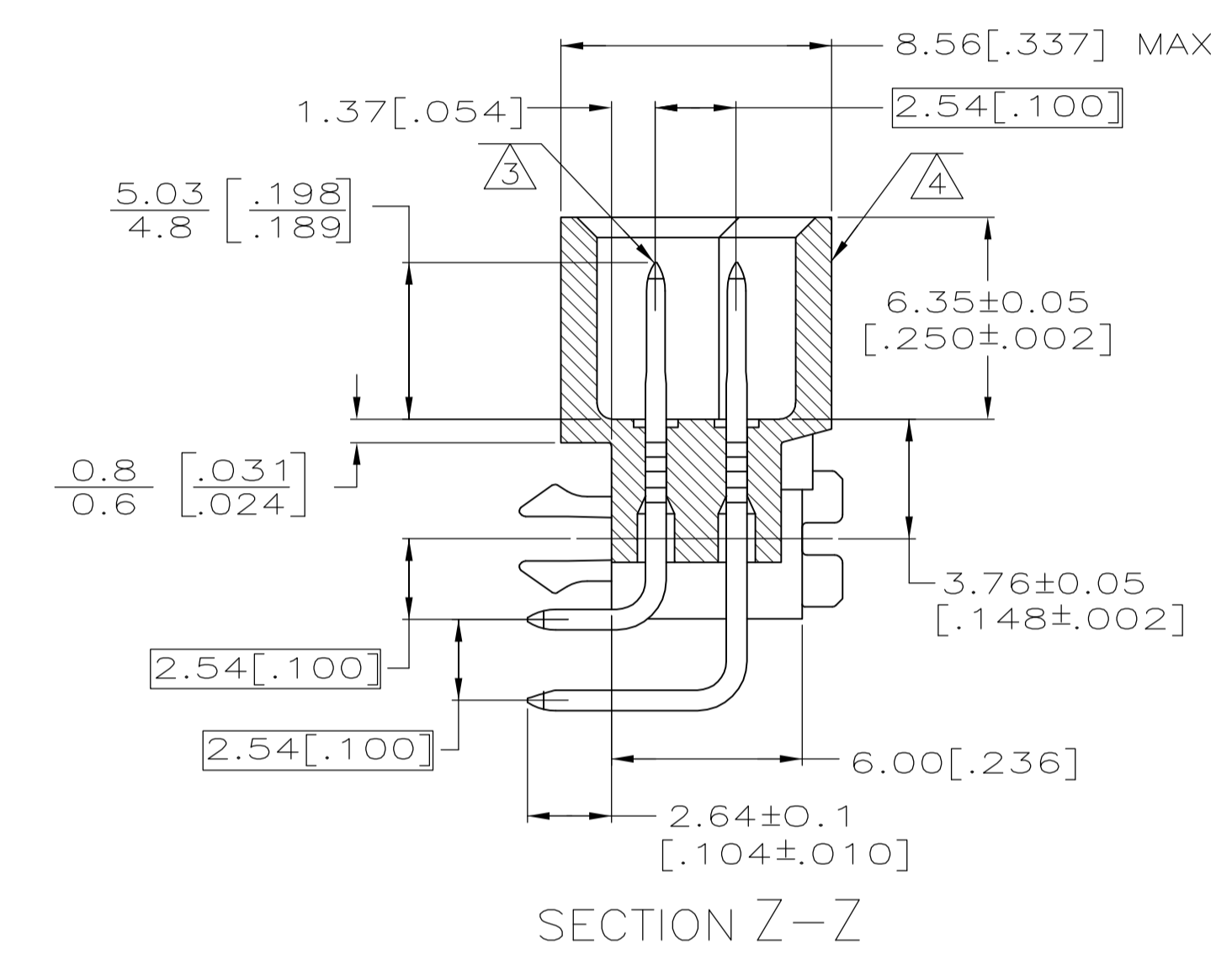
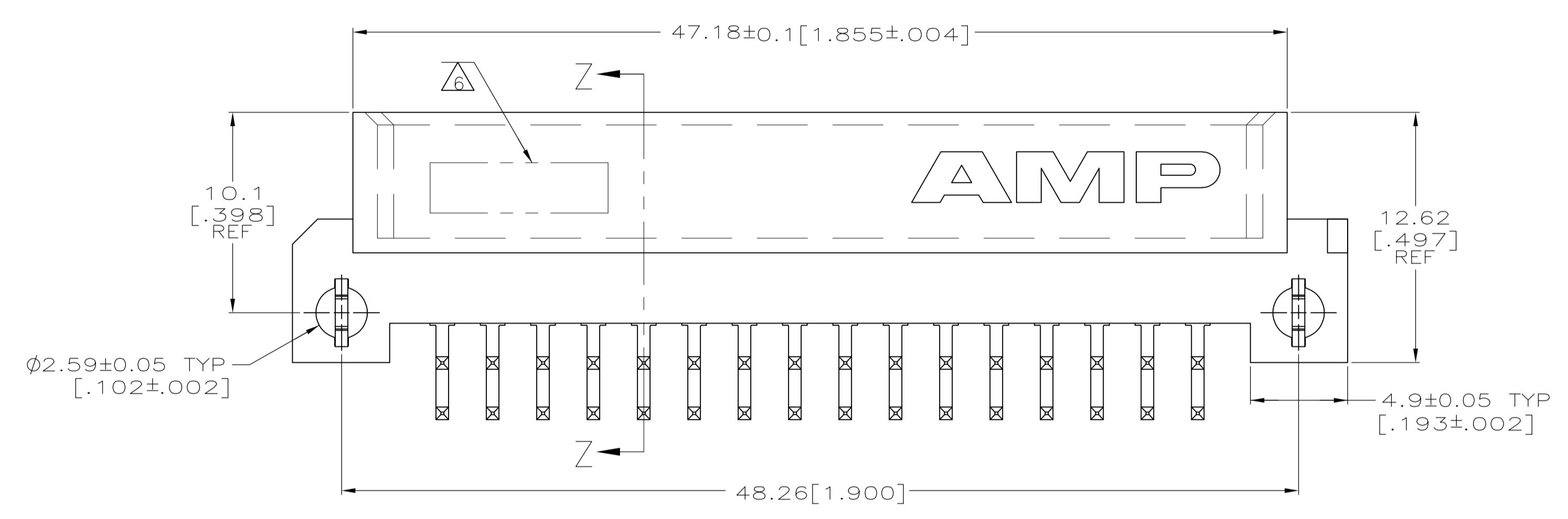
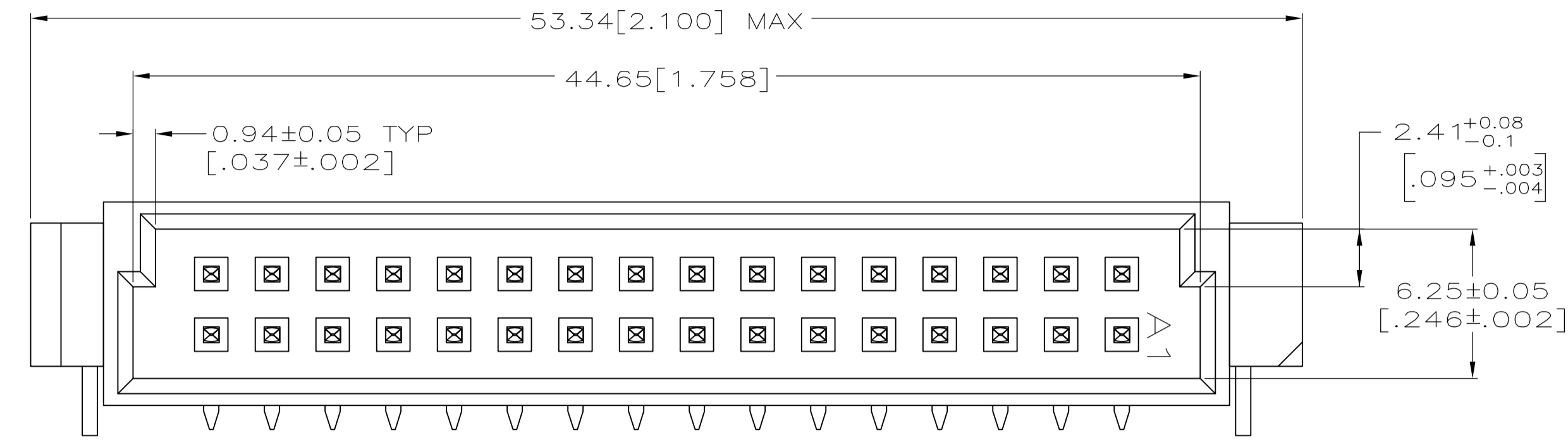


- ① HOUSING MATERIAL: GLASS-FILLED POLYMER.
- ② POST MATERIAL: COPPER ALLOY.
- ③ POST FINISH: DIN 41612 CLASS 2 IN CONTACT AREA. TIN PLATE ON POSTS.
- ④ MARKINGS ON THIS SIDE.
- ⑤ RECOMMENDED HOLE SIZE FOR MANUAL APPLICATION OF CONNECTOR ONTO PC BOARD.
- ⑥ [PART NUMBER, DATE CODE] MARKED THIS APPROXIMATE AREA.



PC BOARD LAYOUT
 RECOMMENDED PC BOARD THICKNESS 1.57[.062]

1-16	X	X	32	5536386-5
POSITIONS LOADED	B	A	NO. OF LOADED POSITION	ASSY PART NUMBER

THIS DRAWING IS A CONTROLLED DOCUMENT.		DIN J. POLIGNONE	OSMAYOS	Tyco Electronics Corporation Harrisburg, Pa 17105-3608	
DIMENSIONS: mm [INCHES]		CHK A. SHARPE	OSMAYOS	NAME ASSEMBLY, PIN, EUROCARD, TYPE 1/2B, 32 POSITION, 2.64[.104] SOLDER POST, WITH BOARD-LOCKS	
TOLERANCES UNLESS OTHERWISE SPECIFIED:		APPV A. SHARPE	OSMAYOS	APPLICATION SPEC	
0 PLC ± -				SIZE CAGE CODE DRAWING NO	
1 PLC ± -				RESTRICTED TO	
2 PLC ± -				A1 00779 C=5536386	
3 PLC ± 0.1[.005]				SCALE 5:1 SHEET 1 OF 1 REV 01	
4 PLC ± -				CUSTOMER DRAWING	
ANGLES ± -					
MATERIAL		FINISH			