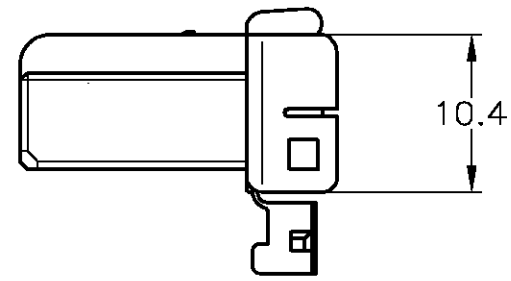
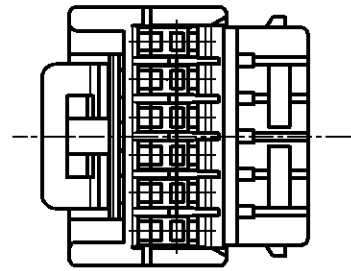
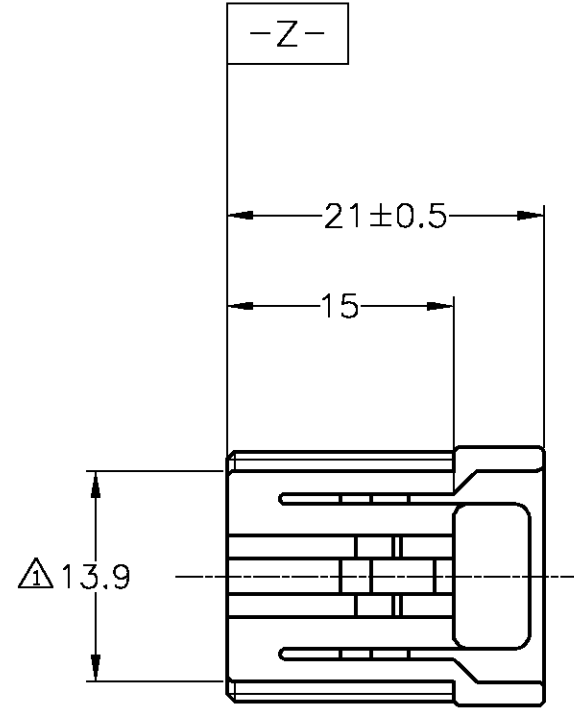
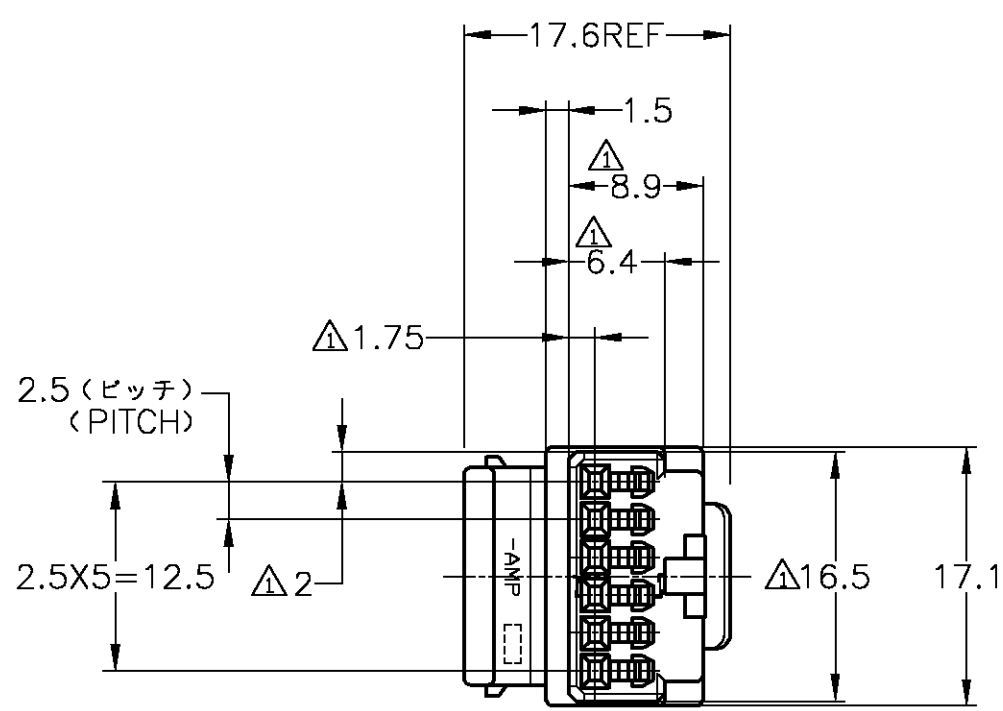


THIS DRAWING IS UNPUBLISHED. RELEASED FOR PUBLICATION  
 © COPYRIGHT BY TYCO ELECTRONICS CORPORATION. ALL RIGHTS RESERVED.

LOC	DIST	REVISIONS					
		P	LTR	DESCRIPTION	DATE	DWN	APVD
—	—	01	REVISED	ECR-06-027725	28NOV06	MS	KB



△ MUST BE KEPT BETWEEN  $\square$ -Z- AND 2mm  
 2. THE MATING CAP HOUSING PART NUMBER; 175506  
 3. APPLIED CONTACT PART NUMBER 173716, 176381  
 4. APPLICABLE PRODUCT SPEC NO. 108-5281

△  $\square$ -Z- 面より 2mm の範囲で測定  
 2. 嵌合相手ハウジング型番: 175506  
 3. 内装するリセブタクルコンタクト型番は 173716, 173681  
 4. 適用製品規格番号: 108-5318

黒 (BLACK)	175507-2
色 (COLOR)	PART NUMBER

TOLERANCES UNLESS OTHERWISE SPECIFIED: 一般公差

10 <sub>μ</sub>	: ±0.2
30 <sub>μ</sub>	> 10 : ±0.25
100 <sub>μ</sub>	> 30 : ±0.3
ANGLE	: ±3°

THIS DRAWING IS A CONTROLLED DOCUMENT.

DIMENSIONS: 単位: 概 mm	TOLERANCES UNLESS OTHERWISE SPECIFIED: 一般公差
	0 PLC ± -
	1 PLC ± -
	2 PLC ± -
	3 PLC ± -
	4 PLC ± -
	ANGLES ± -
MATERIAL 材料 PBT	FINISH 仕上 -

DWN M.SUGAWARA 24NOV06	Tyco Electronics AMP K.K Kawasaki, Japan
CHK K.BETSUI 24NOV06	
APVD K.BETSUI 24NOV06	
PRODUCT SPEC 製品規格 SEE NOTE	
APPLICATION SPEC 取付適用規格	NAME 名称 6 POSITION PLUG HOUSING 040 SERIES MULTI-LOCK I/O CONNECTOR (NON INTERIA TYPE)
WEIGHT -	SIZE A3 CAGE CODE 00779 DRAWING NO C-175507 RESTRICTED TO -
CUSTOMER DRAWING	SCALE 尺度 2:1 SHEET 1 OF 1 REV 01