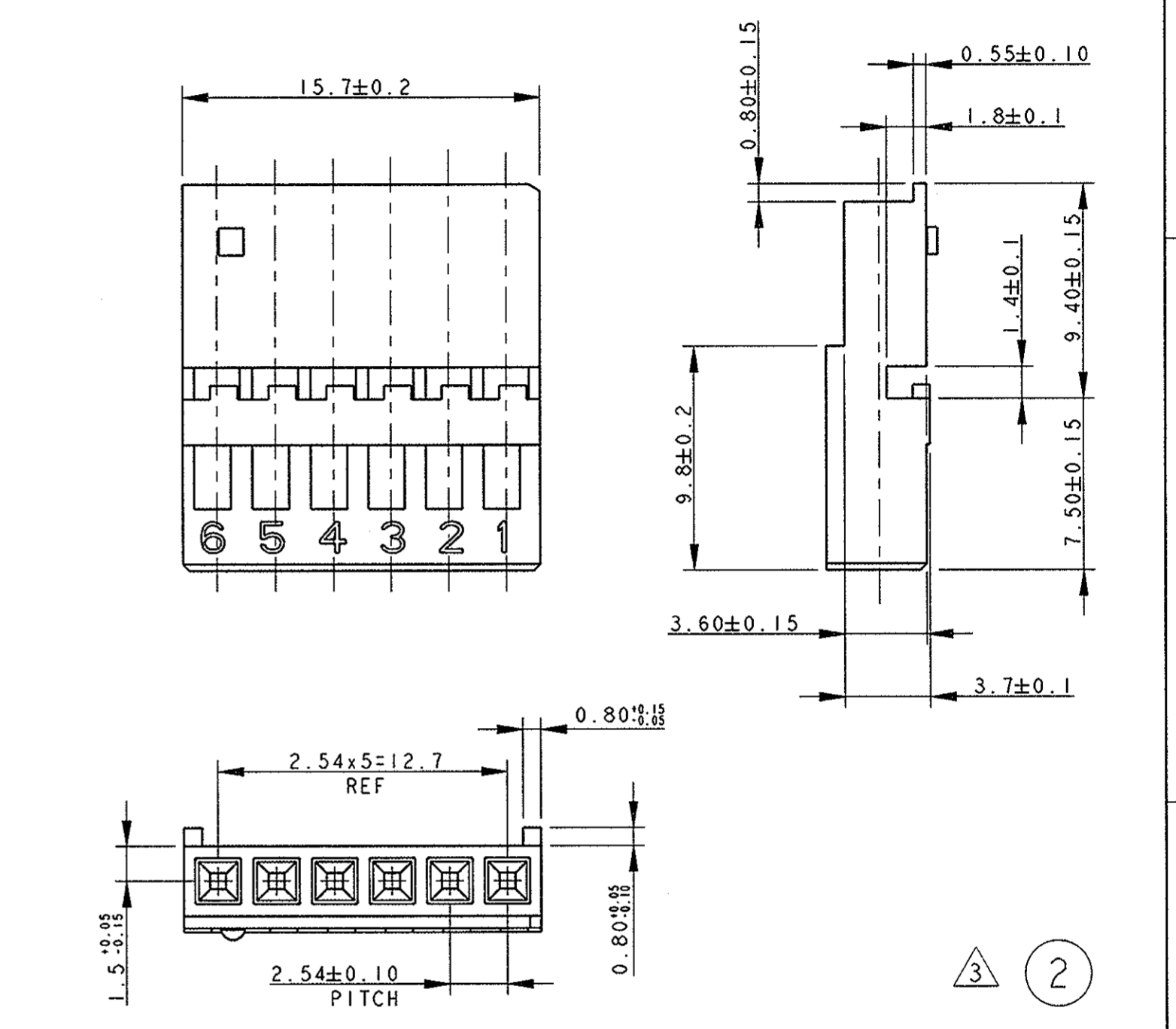
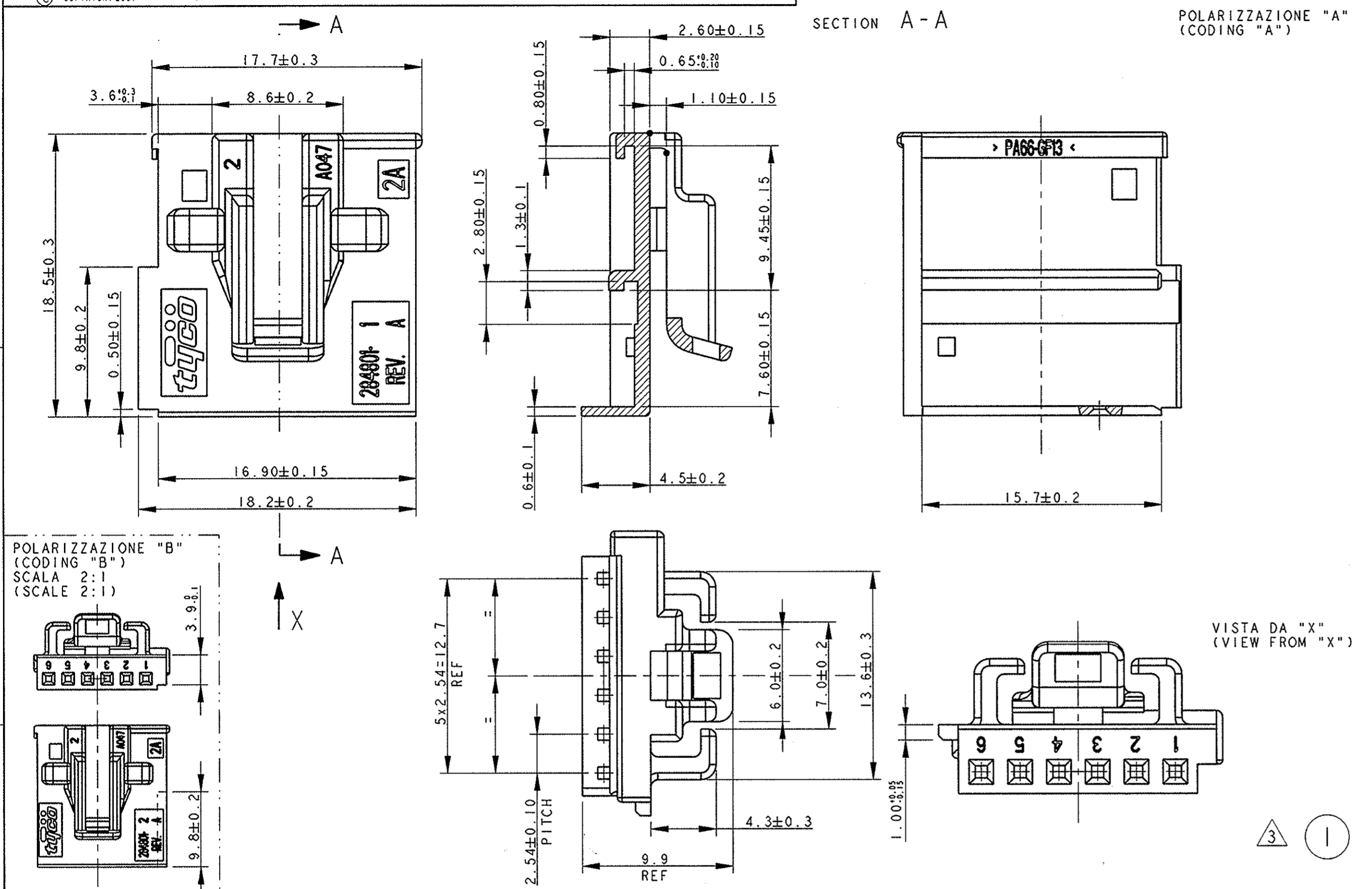
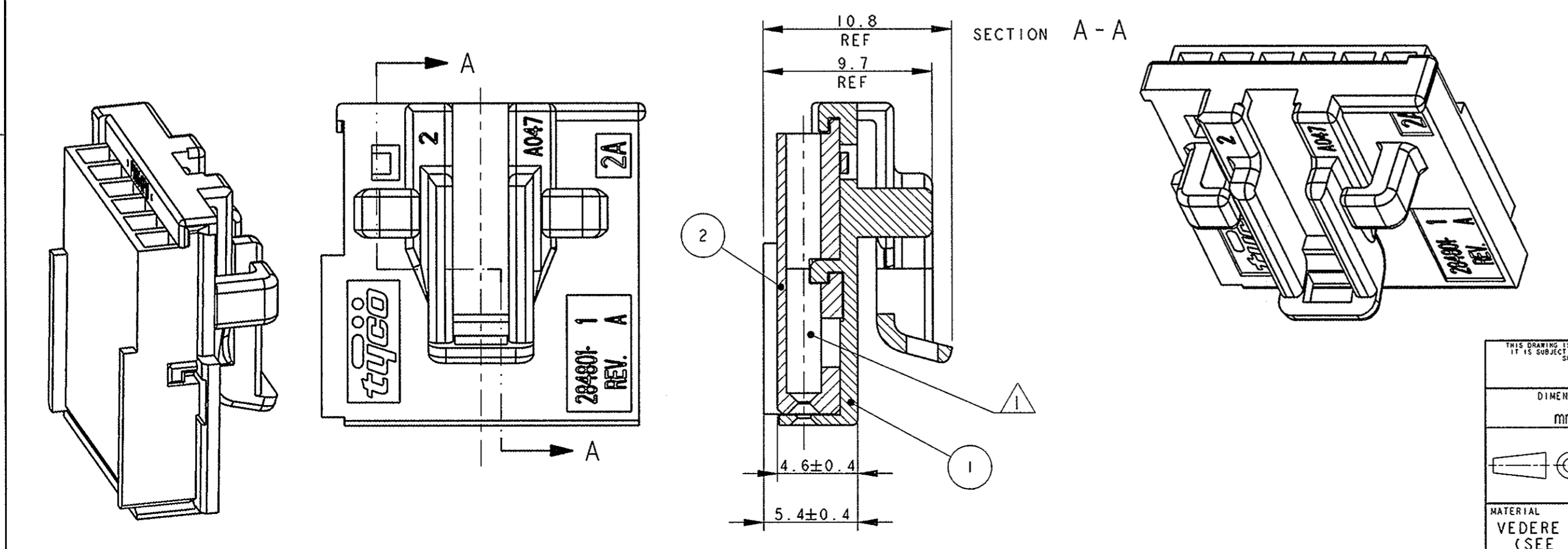


LOC	DIST	REVISIONS			
P	LTR	DESCRIPTION	DATE	DWN	APVD
A		FIRST ISSUE WITH ET00-0080-02 PROP. No. WAS 02-51089	16APR2002	P. Z.	R. M.
A1		ADDED SHEET 3 OF 3 WITH ET00-0204-02	14OCT2002	M. P.	R. M.
A2		RELEASED FOR PRODUCTION WITH ET00-0223-02	12DEC2002	P. Z.	R. M.
A3		REVISED PER ET00-0140-04	26JUL2004	P. Z.	R. M.



LE VISTE MOSTRANO I DUE COMPONENTI ACCOPPIATI (P/N 284802-1)
 (VIEWS SHOW TWO MATED COMPONENTS P/N 284802-1)

- 1) CAVITA' ADATTA PER CONTATTO MOS P/N 928999-... E P/N 963715-...
 (CAVITY SUITABLE FOR MOS CONTACT P/N 928999-... AND P/N 963715-...)
- 2) PER IL DISEGNO DELLA CONTROPARTE VEDERE FOGLIO 2 DI 3
 (FOR COUNTERPART DETAIL SEE SHEET 2 OF 3)
- 3) STATO DI FORNITURA: I DUE COMPONENTI SONO VENDUTI IN KIT,
 IN PARI QUANTITA' NELLA STESSA SCATOLA
 (SUPPLYING CONDITION: TWO COMPONENTS ARE SOLD IN KIT,
 SAME QUANTITY IN THE SAME CARTON BOX)



CODING	COLORE (COLOUR)	MATERIALE (MATERIAL)	DESCRIZIONE (DESCRIPTION)	COMPONENTE No (ITEM No)	NUMERO (PART NUMBER)
B	NERO (BLACK)	PBT - GF	BLOCCETTO PORTAFEMMINE (SOCKET HOUSING)	2	284802-2
	MARRONE (BROWN)	PA 6.6 - GF	AGGANCIO SECONDARIO (SECONDARY LOCK)	1	
A	NERO (BLACK)	PBT - GF	BLOCCETTO PORTAFEMMINE (SOCKET HOUSING)	2	284802-1
	NERO (BLACK)	PA 6.6 - GF	AGGANCIO SECONDARIO (SECONDARY LOCK)	1	

THIS DRAWING IS A CONTROLLED DOCUMENT FOR TYCO ELECTRONICS CORPORATION IF IT IS SUBJECT TO CHANGE AND THE CONTROLLING ENGINEERING ORGANIZATION SHOULD BE CONTACTED FOR THE LATEST REVISION.

DIMENSIONS: mm

TOLERANCES UNLESS OTHERWISE SPECIFIED:

0 PLC	±
1 PLC	±0.3
2 PLC	±
3 PLC	±
4 PLC	±
ANGLES	±1°
FINISH	---

MATERIAL VEDERE TABELLA (SEE TABLE)

DWN: P. ZAMPIROLO
 CHK: R. MARTINI
 APVD: A. GENTA

tyco Electronics AMP Italia S.p.A.
 C.so F.lli Cervi, 15 - Collegno (TO)

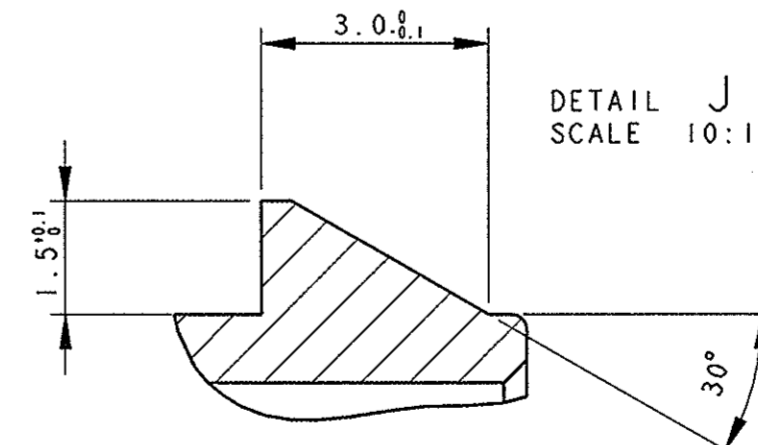
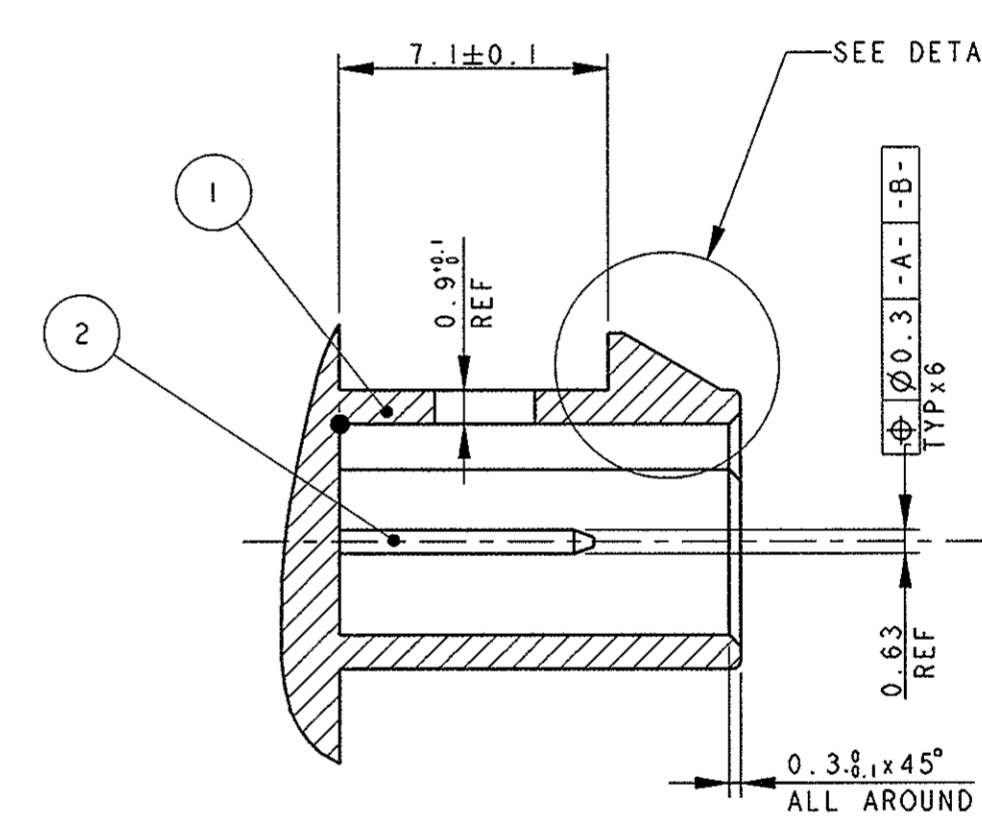
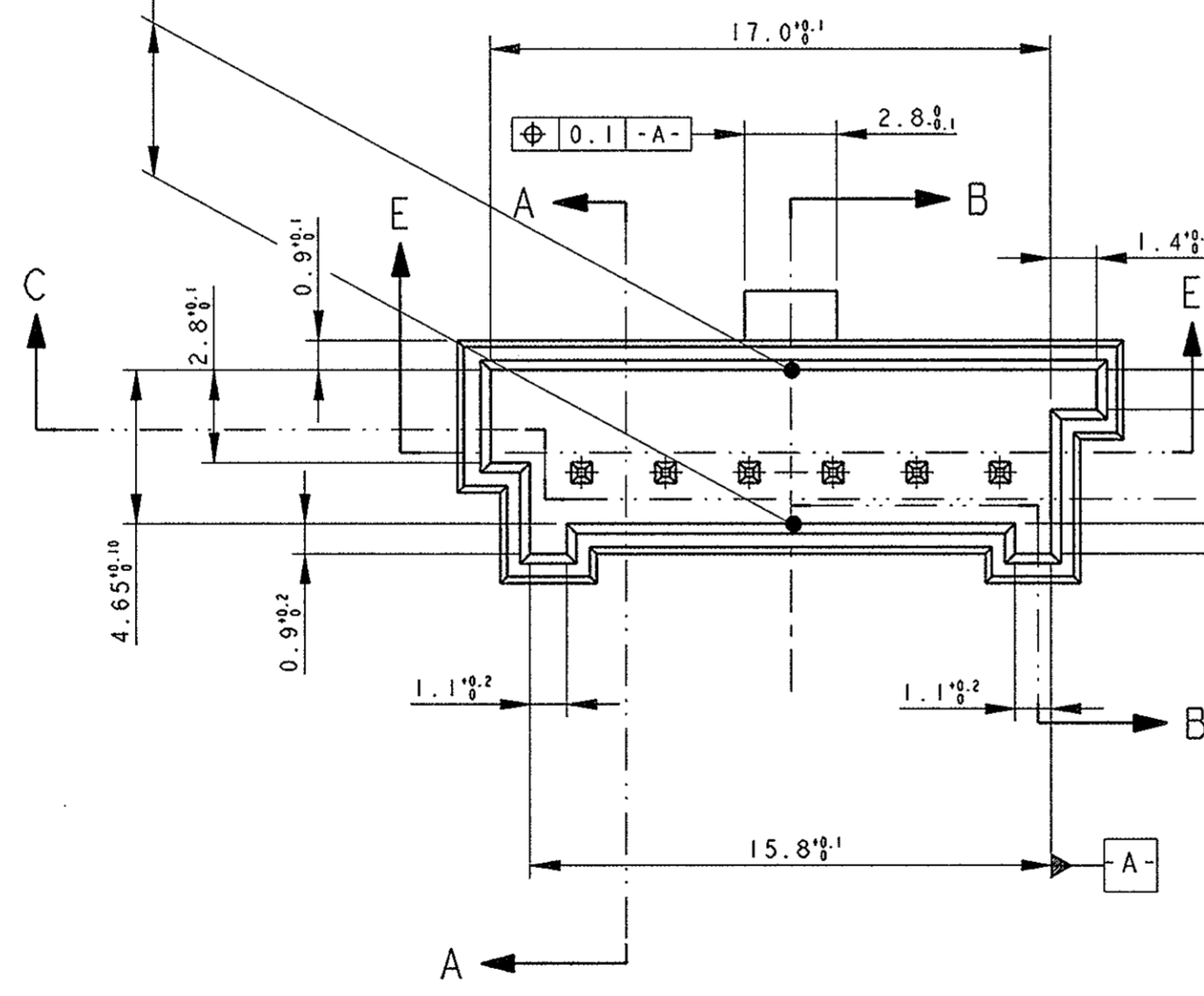
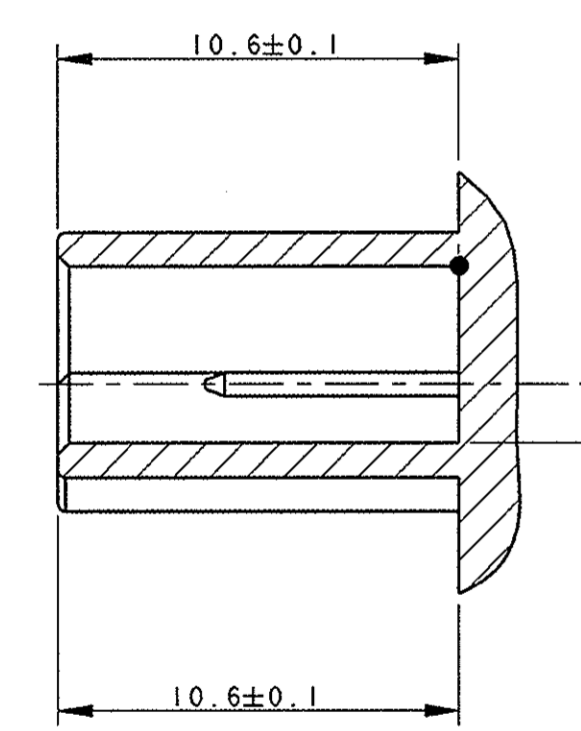
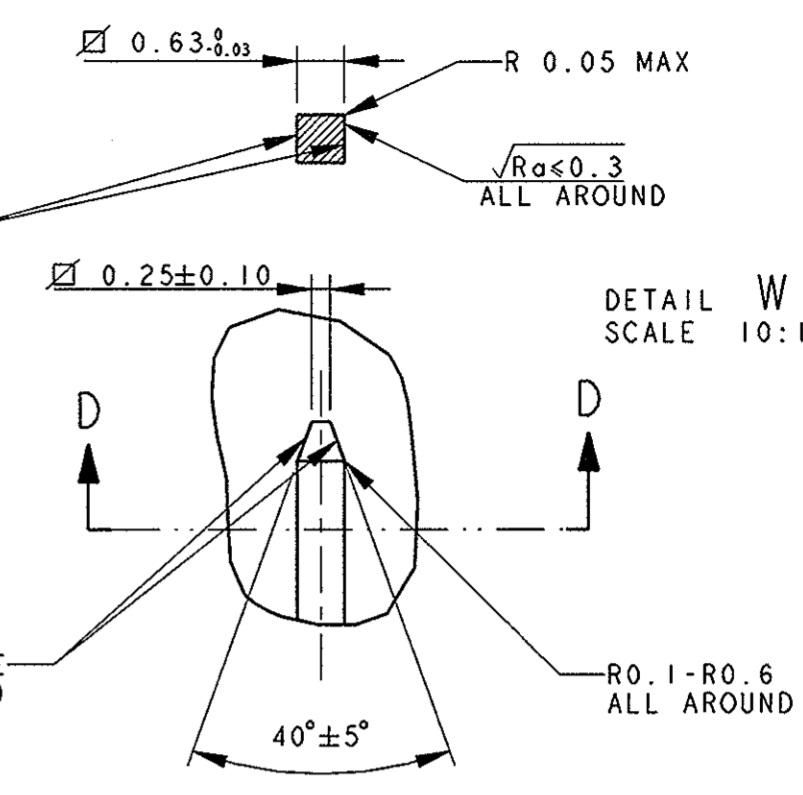
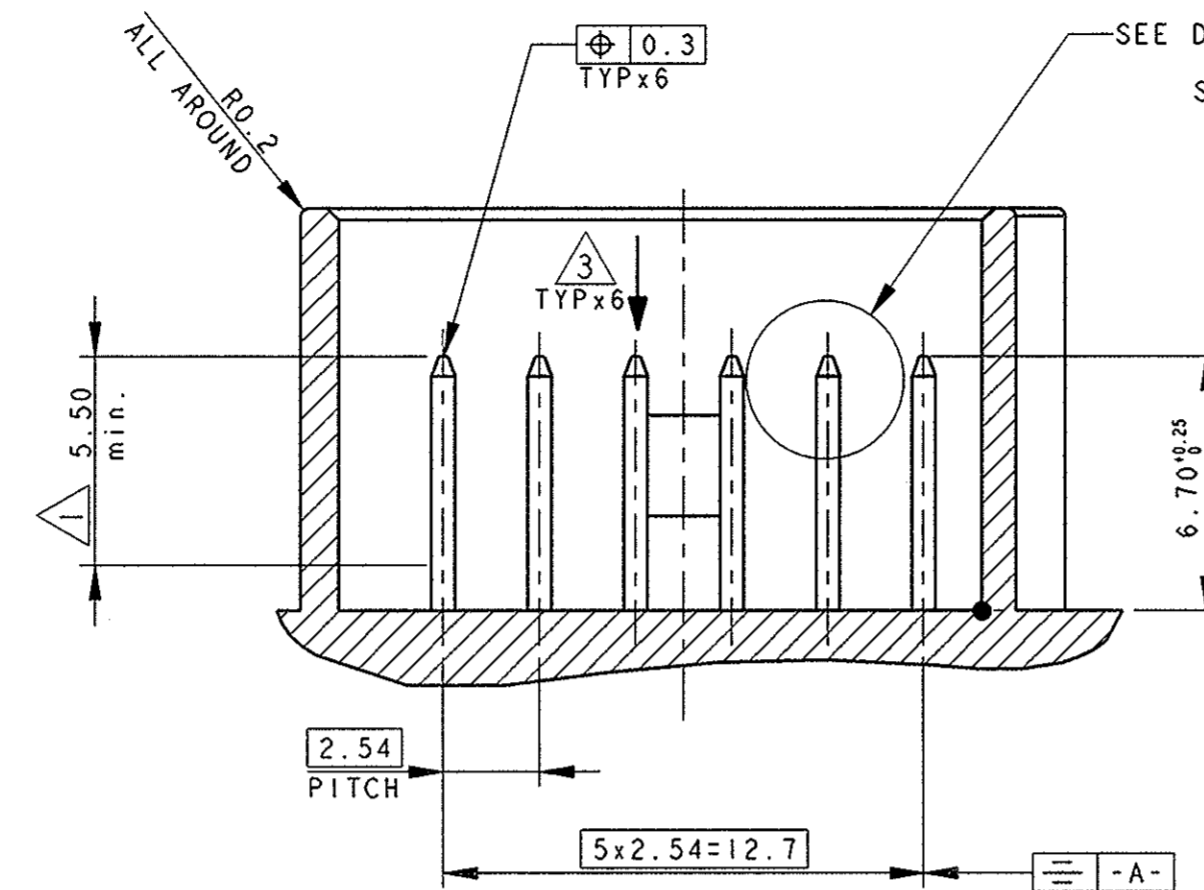
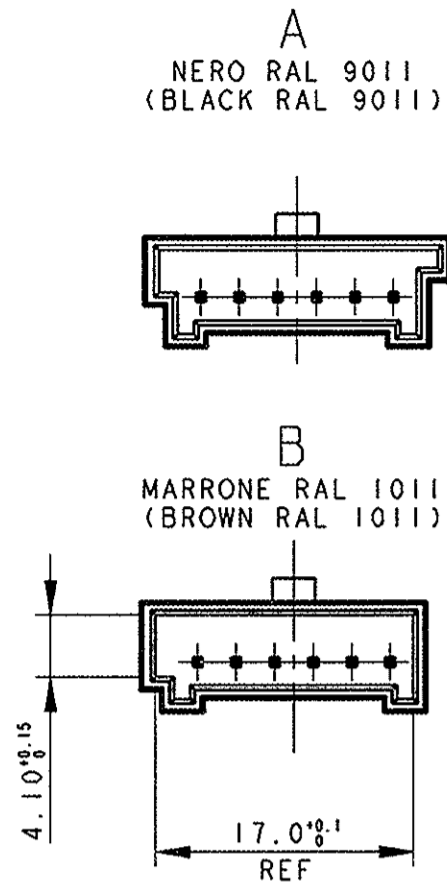
NAME: SOCKET HOUSING, 6 POSITIONS KIT FOR MOS CONTACTS

SIZE: A2 CAGE CODE: 00779 DRAWING NO: C-284802 RESTRICTED TO: -

CUSTOMER DRAWING SCALE: 5:1 SHEET 1 OF 3 REV: A3

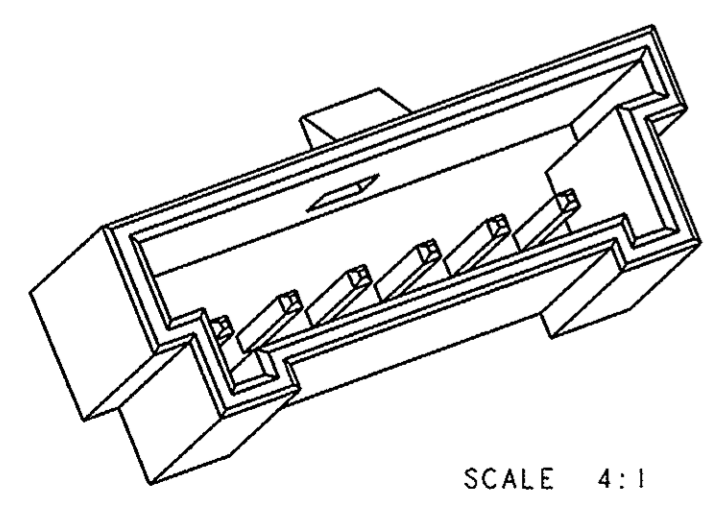
LOC	DIST	REVISIONS			
P	LTR	DESCRIPTION	DATE	DWN	APVD
A1	-	SEE SHEET 1			

POLARIZZAZIONI (CODINGS)
 SCALA 2:1 (SCALE)

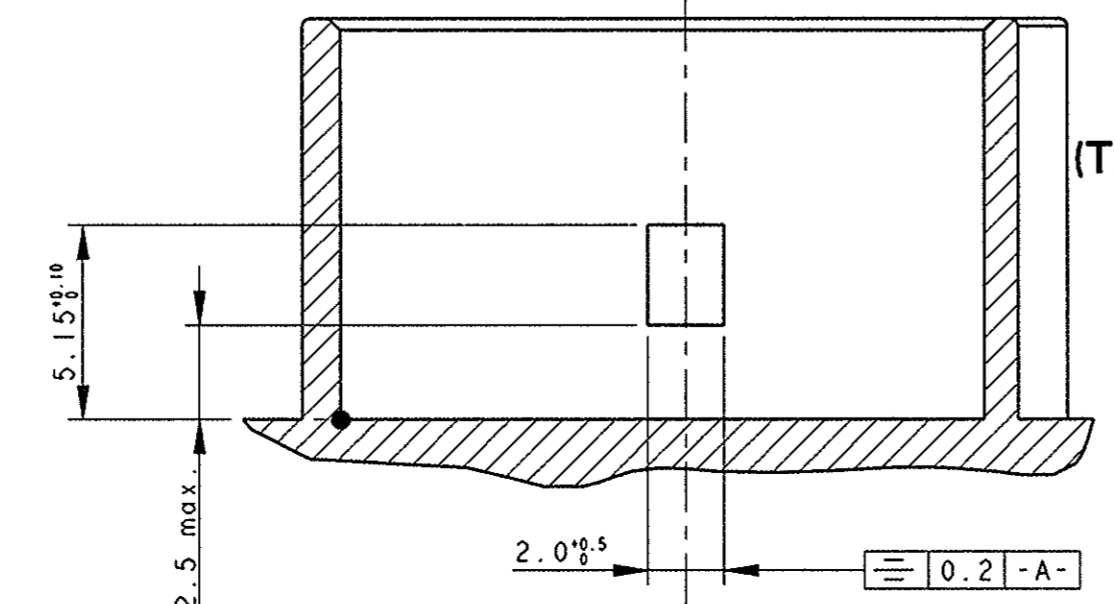


- 1) 1-3 μm Sn (O SnPb 93/7) CON SOTTOSTRATO DI Ni SPESSORE 1.3-2.2 μm (1 μm TO 3 μm Sn (OR SnPb 93/7) OVER 1.3 μm TO 2.2 μm Ni)
- 2) POLARIZZAZIONE "A" COME INDICATO (CODING "A" AS SHOWN)
- 3) FORZA DI RITENZIONE DEL SINGOLO CONTATTO 40N min. (SINGLE PIN CONTACT RETENTION FORCE 40N min)

FINITURA (FINISH)	MATERIALE (MATERIAL)	DESCRIZIONE (DESCRIPTION)	ITEM No.
1	OTTONE (BRASS)	CONTATTO (TAB)	2
---	PA 6.6 CARICATO VETRO (PA 6.6 GLASSFIBER FILLED)	BLOCCETTO (HOUSING)	1



SCALE 4:1



DETTAGLI CONTROPARTE HEADER (TAB HEADER COUNTERPART DETAILS)

DIMENSIONS: mm		TOLERANCES UNLESS OTHERWISE SPECIFIED:		DWN P. ZAMPIROLO 06 JUL 2001	tyco Electronics AMP Italia S.p.A. C.so F.lli Cervi, 15 - Collegno (TO)	
0 PLC	±0.3	1 PLC	±0.1	CHK R. MARTINI 06 JUL 2001	SOCKET HOUSING, 6 POSITIONS FOR MQS CONTACTS KIT	
2 PLC	±0.05	3 PLC	±	APVD A. GENTA 06 JUL 2001	SIZE A2	CAGE CODE 00779
4 PLC	±	ANGLES	±1°	PRODUCT SPEC	DRAWING NO C-284802	RESTRICTED TO
MATERIAL VEDERE TABELLA (SEE TABLE)	MATERIAL VEDERE TABELLA (SEE TABLE)		FINISH	APPLICATION SPEC	WEIGHT	SCALE 5:1
CUSTOMER DRAWING				SHEET 2 OF 3		REV A3

THIS DRAWING IS UNPUBLISHED. RELEASED FOR PUBLICATION 2002
 © COPYRIGHT 2002 BY TYCO ELECTRONICS CORPORATION. ALL RIGHTS RESERVED.

LOC	DIST	REVISIONS			
P	LTR	DESCRIPTION	DATE	DWN	APVD
A1	-	SEE SHEET 1	-	-	-

SECTION C-C

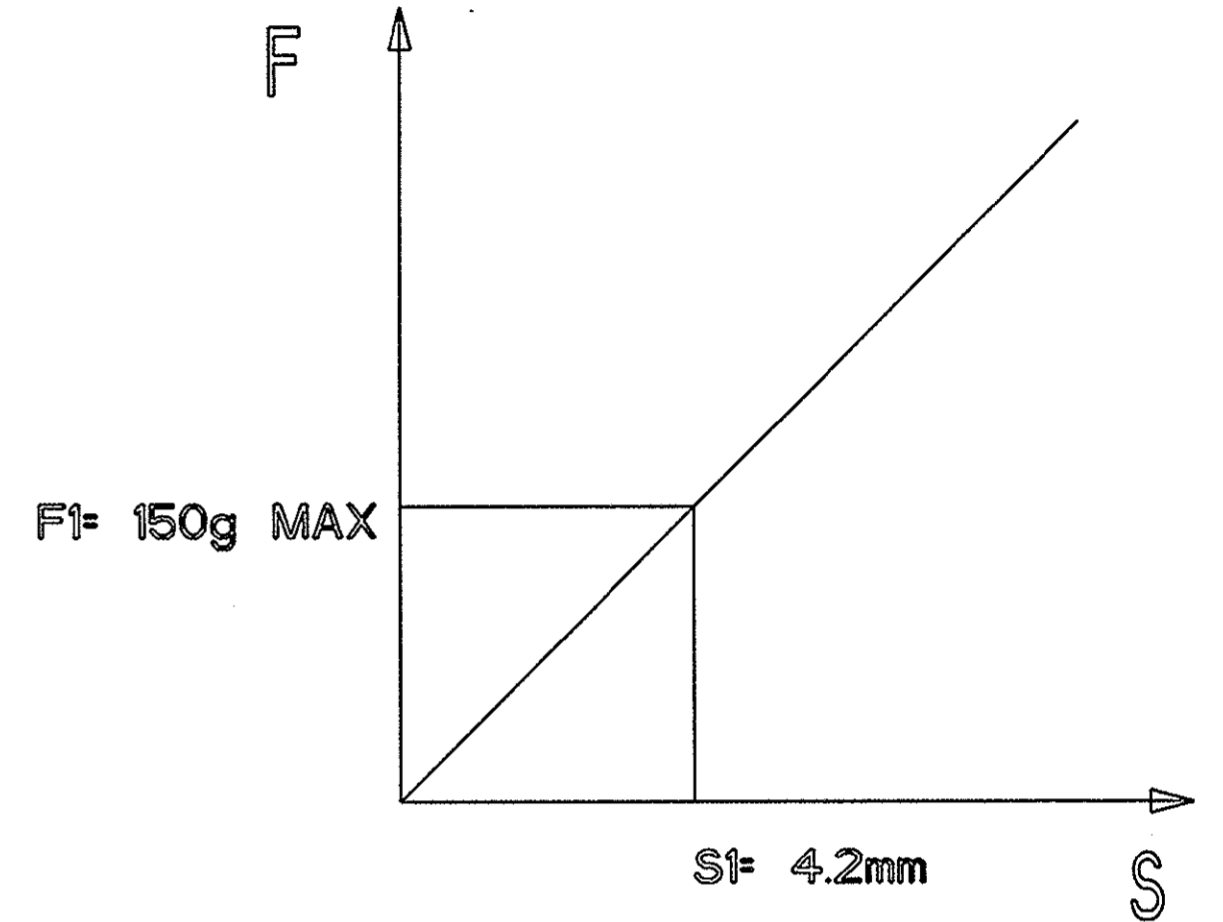
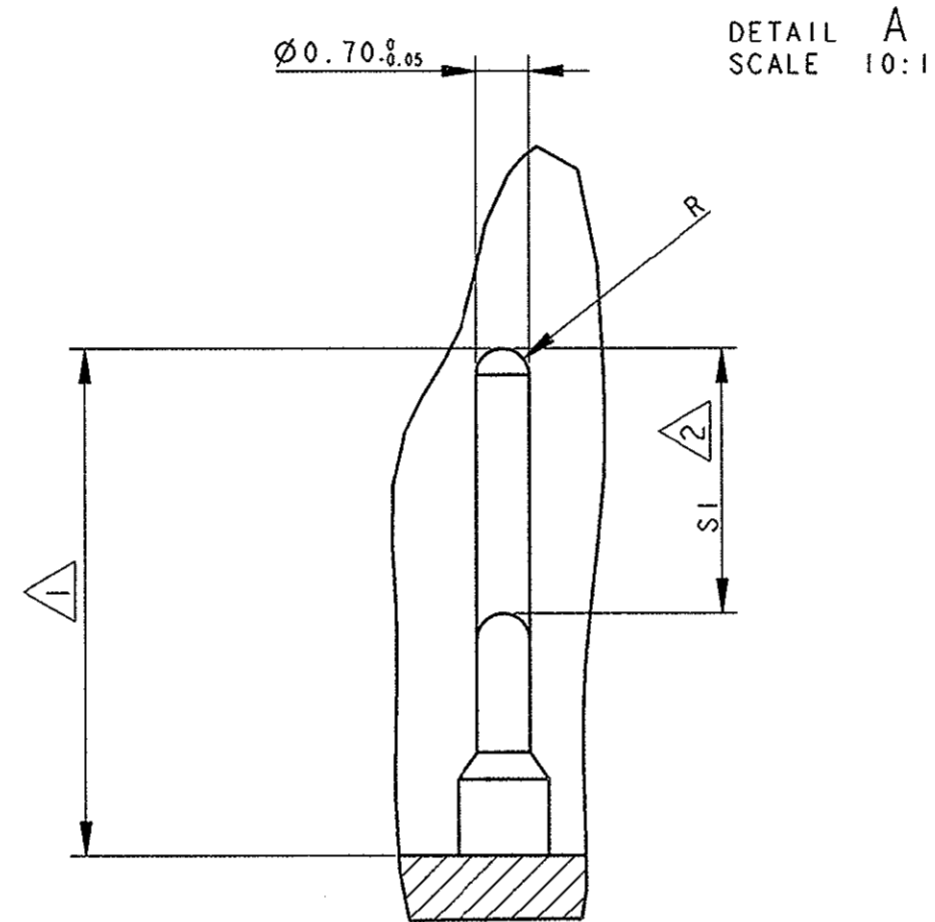
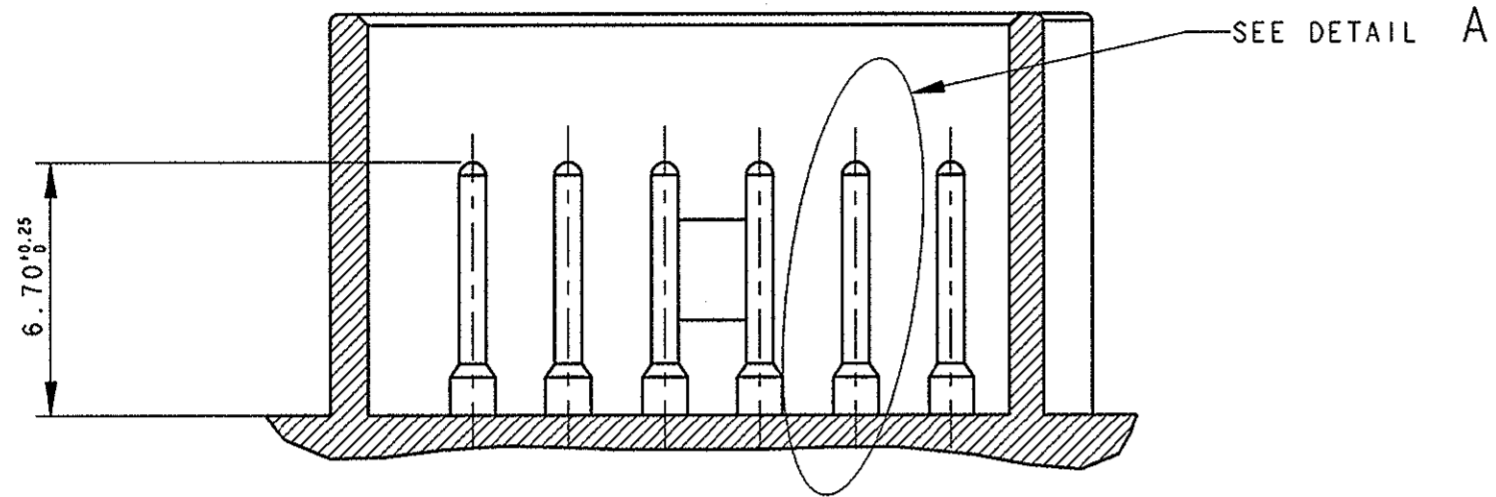
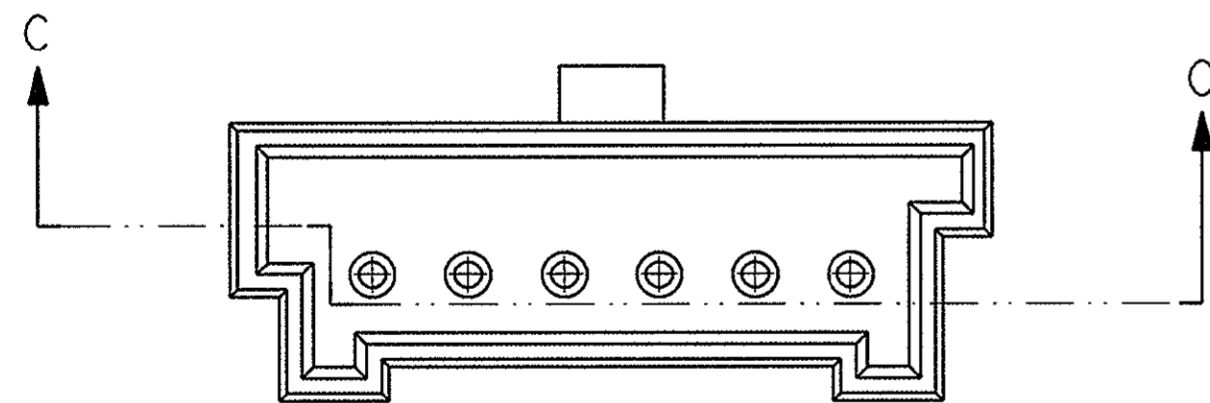


DIAGRAMMA CARICO/CORSA DEL PIN CON EVIDENZIATA CONDIZIONE PRESCRITTA DI LAVORO



- 1) PIN IN POSIZIONE DI RIPOSO.
- 2) PIN IN POSIZIONE DI LAVORO.
(A CONTATTO CON UN TERMINALE FEMMINA MQS)
- 3) MATERIALE PIN: LEGA Cu-Be CON FINITURA IN Au SU SOTTOSTRATO DI Ni.
- 4) PER LE DIMENSIONI MANCANTI FAR RIFERIMENTO AL FOGLIO 2 DI 3 DEL PRESENTE DISEGNO.

<small>THIS DRAWING IS A CONTROLLED DOCUMENT FOR TYCO ELECTRONICS CORPORATION IT IS SUBJECT TO CHANGE AND THE CONTROLLING ENGINEERING ORGANIZATION SHOULD BE CONTACTED FOR THE LATEST REVISION.</small>		DWN 30 SEPT 2002 P. ZAMPIROLO CHK 30 SEPT 2002 R. MARTINI APVD 30 SEPT 2002 A. GENTA	tyco Electronics tyco Electronics AMP Italia S.p.A. C.so F.lli Cervi, 15 - Collegno (TO)
DIMENSIONS: mm	TOLERANCES UNLESS OTHERWISE SPECIFIED: 0 PLC ±0.3 1 PLC ±0.1 2 PLC ±0.05 3 PLC ± 4 PLC ± ANGLES ±1° FINISH -	PRODUCT SPEC APPLICATION SPEC WEIGHT CUSTOMER DRAWING	NAME SOCKET HOUSING, 6 POSITIONS FOR MQS CONTACTS KIT SIZE A2 CAGE CODE 00779 DRAWING NO C-284802 RESTRICTED TO SCALE 5:1 SHEET 3 OF 3 REV A3