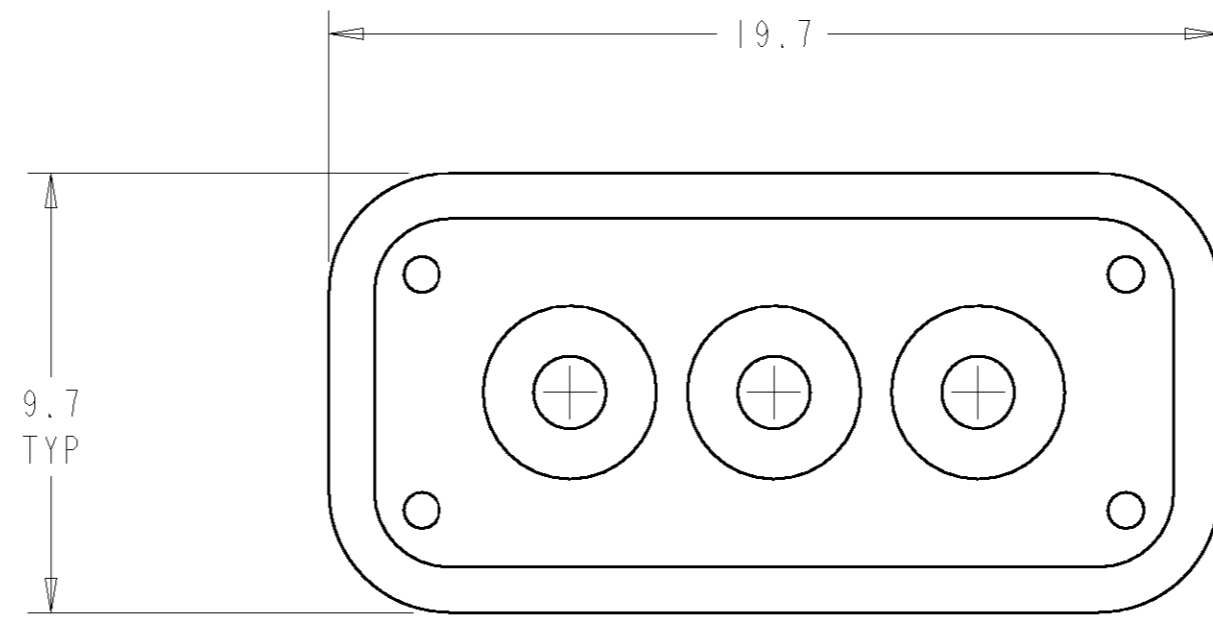
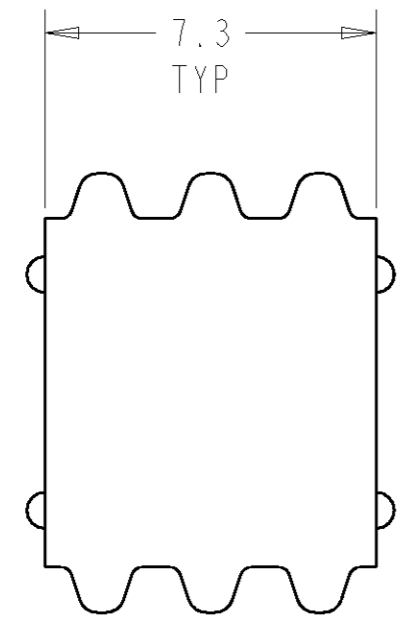


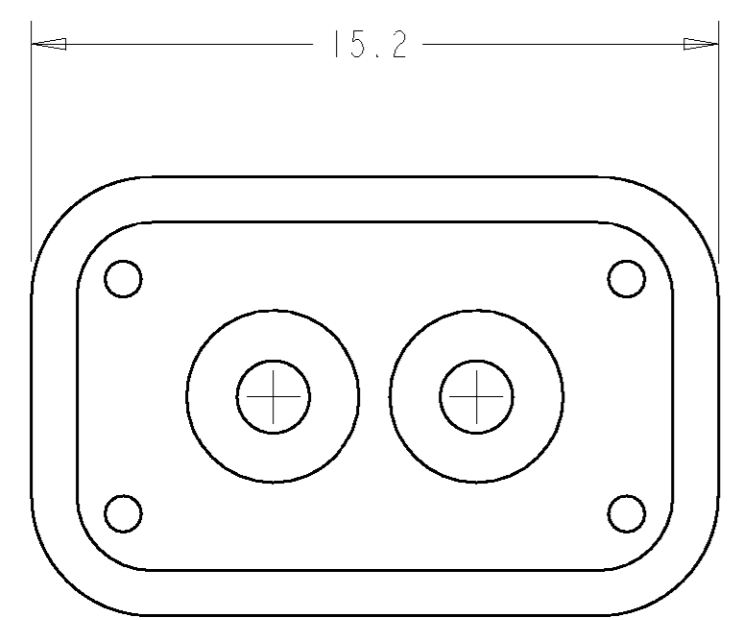
THIS DRAWING IS UNPUBLISHED. RELEASED FOR PUBLICATION 20  
 © COPYRIGHT 20 BY TYCO ELECTRONICS CORPORATION. ALL RIGHTS RESERVED.

LOC	DIST	REVISIONS					
GE	00	P	LTR	DESCRIPTION	DATE	DWN	APVD
		A		REL PER EC OK40-0343-04	08OCT2003	WH	JP
		B		REV PER ECR-07-015392	28JUN2007	WH	JS

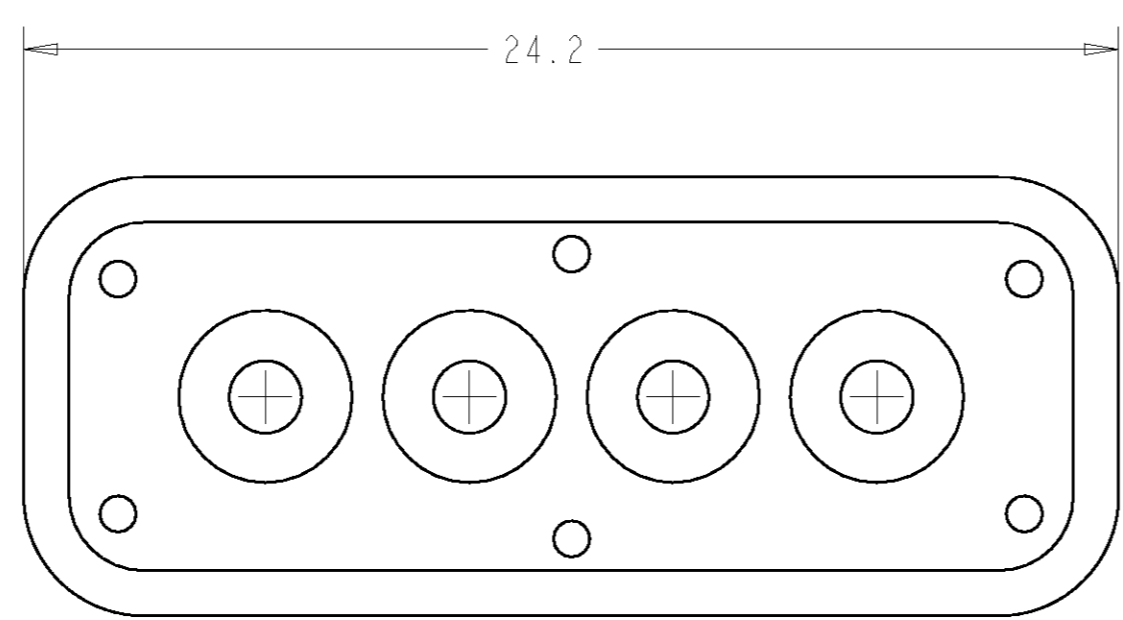


776423-2

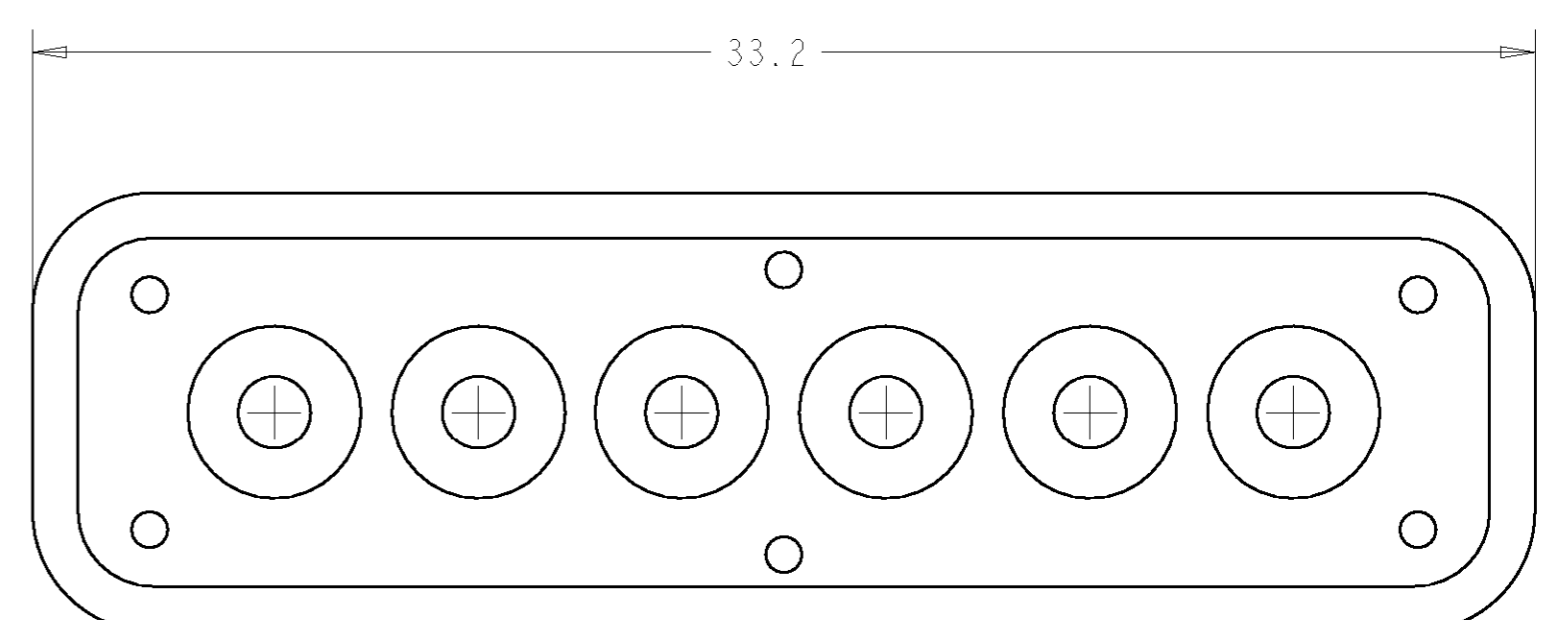
1. MATERIAL: SILICONE RUBBER, COLOR: SEE TABLE



776423-1



776423-3



776423-7

COLOR	DESCRIPTION	PART NUMBER
YELLOW	6 POSN	776423-7
RED	4 POSN	776423-3
YELLOW	3 POSN	776423-2
RED	2 POSN	776423-1

<small>THIS DRAWING IS A CONTROLLED DOCUMENT FOR TYCO ELECTRONICS CORPORATION. IT IS SUBJECT TO CHANGE AND THE CONTROLLING ENGINEERING ORGANIZATION SHOULD BE CONTACTED FOR THE LATEST REVISION.</small>		DWN <u>W. HOELSCHER</u> 28SEP04 CHK <u>J. PATTERSON</u> 01OCT04 APVD <u>D. KLEIN</u> 01OCT04	<b>tyco</b> Tyco Electronics <b>Electronics</b> Harrisburg, PA 17105-3608
DIMENSIONS: mm	TOLERANCES UNLESS OTHERWISE SPECIFIED: 0 PLC ± 1 PLC ±0.2 2 PLC ± 3 PLC ± 4 PLC ± ANGLES ± FINISH	PRODUCT SPEC APPLICATION SPEC WEIGHT	NAME WIRE SEAL SINGLE ROW AMPSEAL 16
MATERIAL		CUSTOMER DRAWING	SIZE A2 CAGE CODE 00779 DRAWING NO. G-776423 RESTRICTED TO SCALE 6:1 SHEET 1 OF 1 REV B