

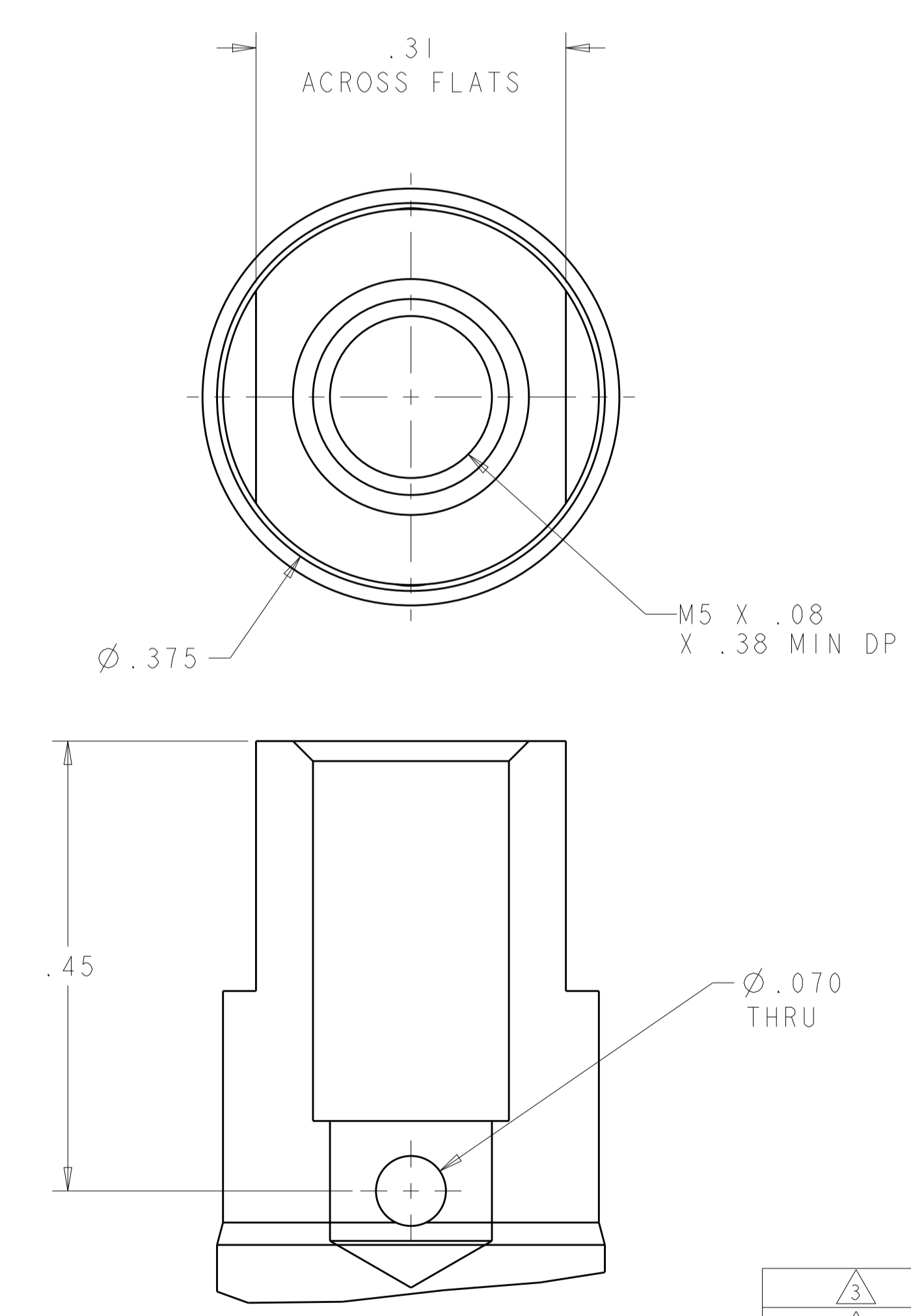
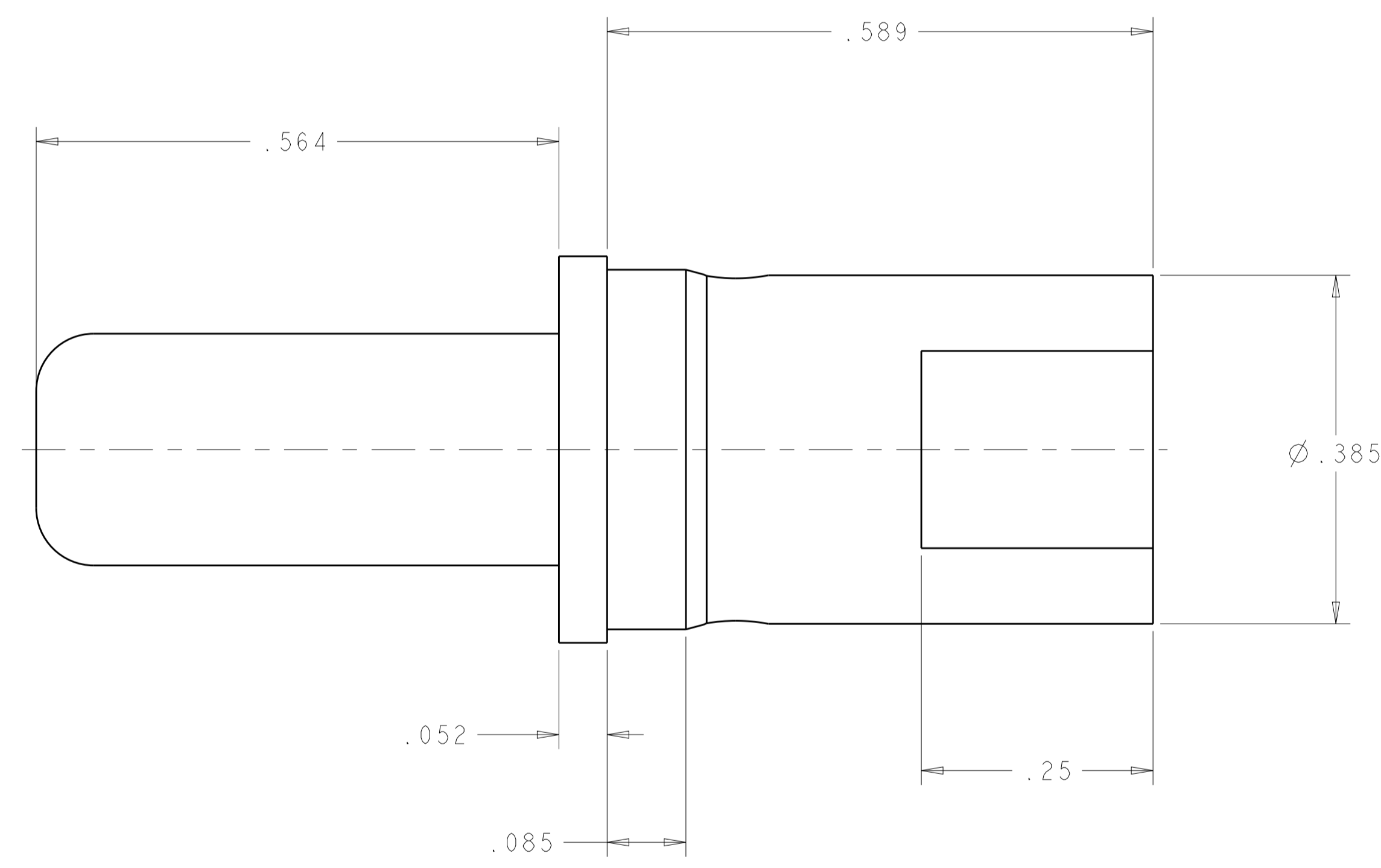
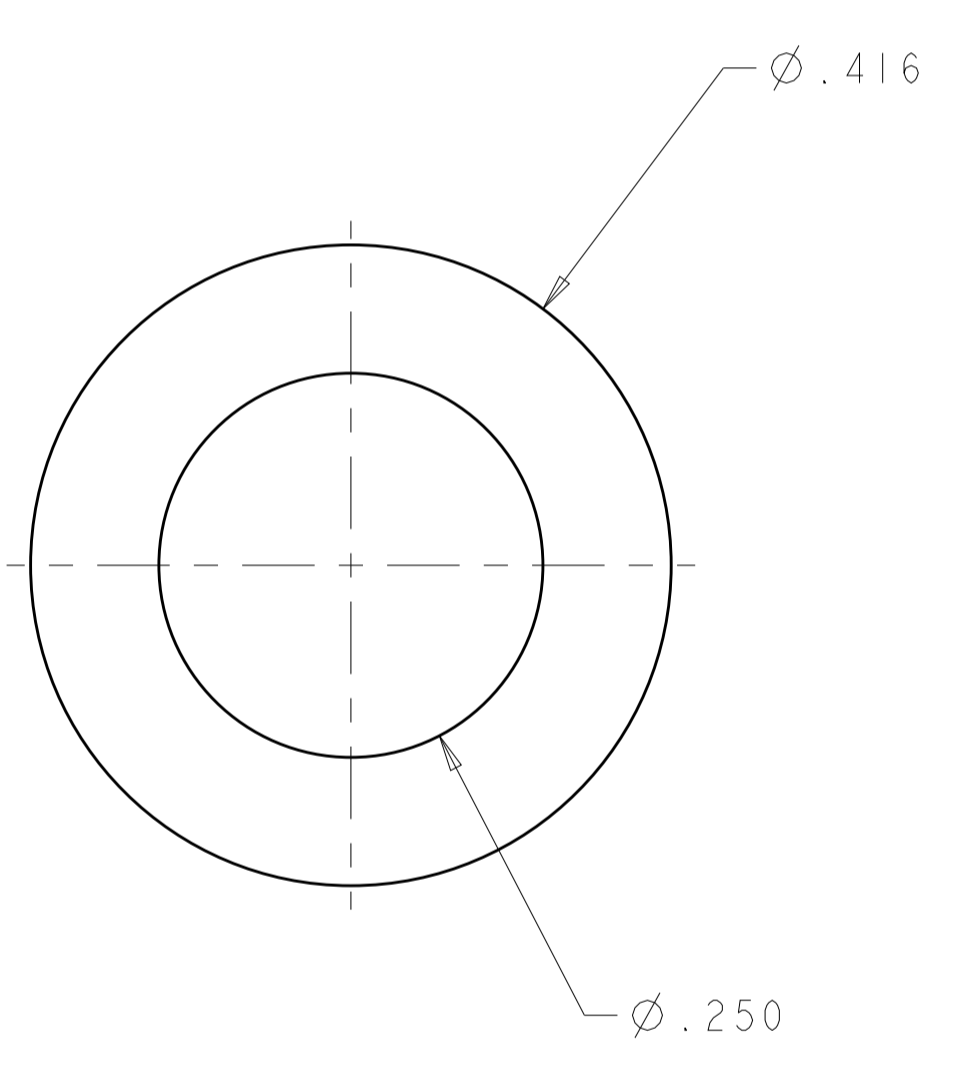

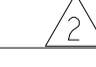



LOC		DIST		REVISIONS			
P	LTN	DESCRIPTION	DATE	DMN	APVD		
D		REVISED PER ECO-12-017092	27SEP2012	KH	DO		

- MATERIAL: COPPER ALLOY
-  SILVER PLATE .000200 MIN THK. OVER NICKEL PLATE .000050 MIN THK. TARNISH RESISTANT COATING OVER ALL
-  GOLD PLATE .000030 MIN THK. OVER NICKEL PLATE .000050 MINIMUM THK.
- PART NUMBER CHANGES AND OR DESIGN CHANGES AFFECTING ITEM INTERCHANGEABILITY REQUIRE TYCO ELECTRONICS APPROVAL AND AUTHORIZATION BY REVISION TO THIS DRAWING.



	1766283-2
	1766283-1
FINISH	PART NO

THIS DRAWING IS A CONTROLLED DOCUMENT.		DMN: HM VAN SCOY 26MAR2008	 TE Connectivity
DIMENSIONS: INCHES		CHK: D. DEFLAUGH 26MAR2008	
TOLERANCES UNLESS OTHERWISE SPECIFIED:		APVD: D. DEFLAUGH 26MAR2008	NAME: CONTACT, PIN, .250 DIA, M5 X .08 INT. THD. TAPPED DRAWER, DOMINO
0 PLC ±.01	1 PLC ±.01	PRODUCT SPEC	SIZE: A1
2 PLC ±.01	3 PLC ±.003	APPLICATION SPEC	CAGE CODE: 1766283
4 PLC ±.01	ANGLES ±.5°	FINISH	RESTRICTED TO: -
MATERIAL: -	FINISH: -	WEIGHT: -	SCALE: 4:1
CUSTOMER DRAWING		SCALE: 4:1	SHEET 1 OF 1