

4

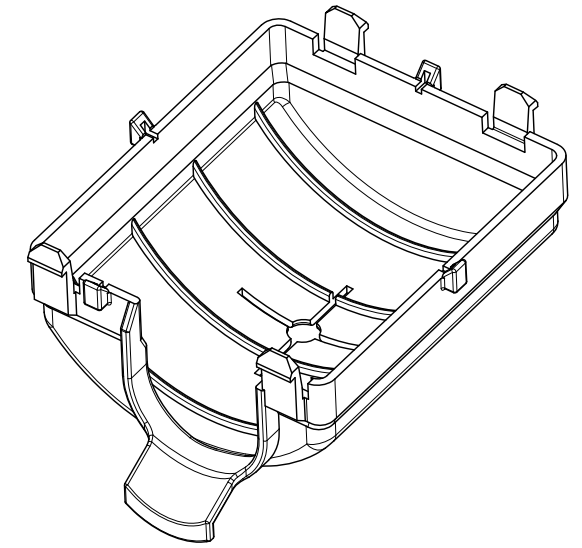
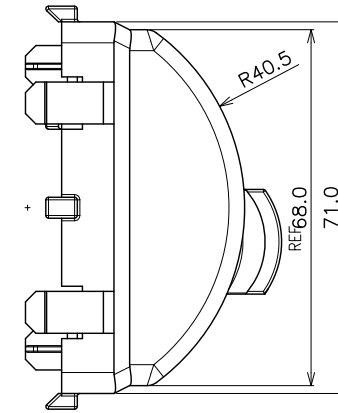
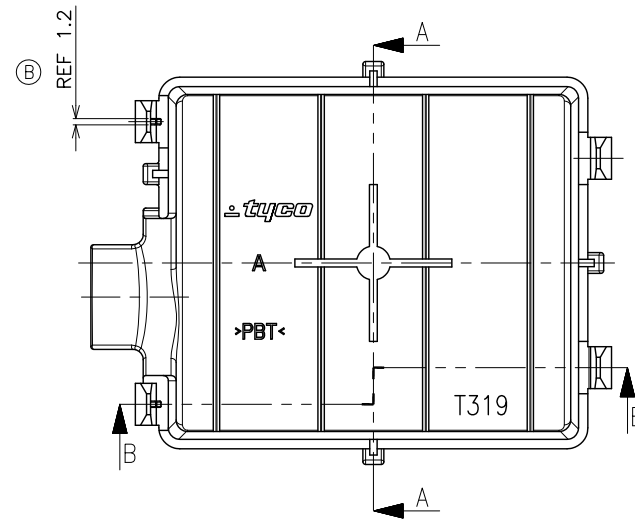
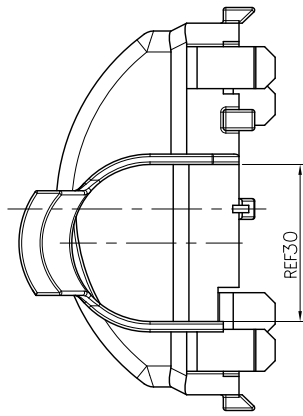
3

2

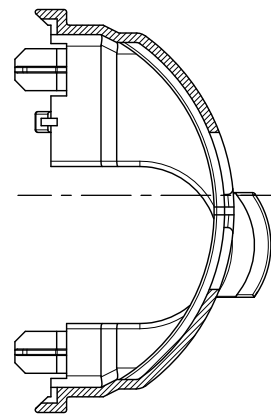
1

THIS DRAWING IS UNPUBLISHED. RELEASED FOR PUBLICATION  
© COPYRIGHT BY TYCO ELECTRONICS CORPORATION. ALL RIGHTS RESERVED.

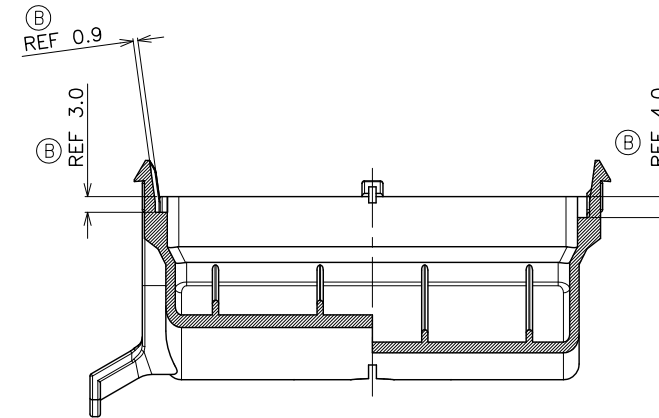
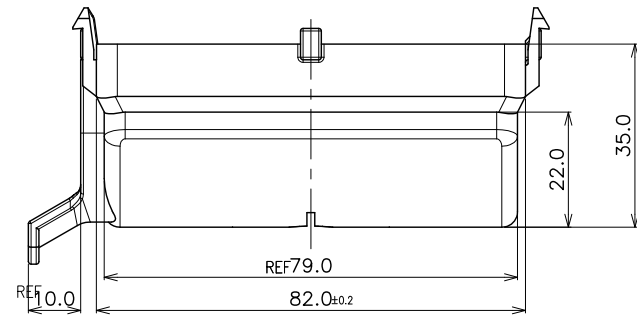
LOC		DIST		REVISIONS			
P	LTR	DESCRIPTION	DATE	DWN	APVD		
	A	RELEASED	23/OCT/06	JY	JK		
	A1	REVISED (ECR-08-009244)	11/APR/08	DH	JK		
	B	REVISED (ECR-13-001672)	13/FEB/13	DH	JK		



ISOMETRIC VIEW



SECTION A-A



SECTION B-B

- NOTE
1. GENERAL TOLERANCE:  $\pm 0.3 \pm 1'$
  2. UNLESS OTHERWISE SPECIFIED RADIUS: R0.5
  3. CHARACTERS MUST BE CLEAR AND LEGIBLE
  4. MATERIAL (B) (A1)

1743587-1	B	PBT	BLACK
P/NO	REV	MATERIAL	COLOR

THIS DRAWING IS A CONTROLLED DOCUMENT FOR TYCO ELECTRONICS CORPORATION. IT IS SUBJECT TO CHANGE AND THE CONTROLLING ENGINEERING ORGANIZATION SHOULD BE CONTACTED FOR THE LATEST REVISION.		DWN DH PARK			
DIMENSIONS: mm		CHK YJ YOUN			
TOLERANCES UNLESS OTHERWISE SPECIFIED:  SEE NOTE		APVD JK SONG		NAME	
3rd ANGLE PROJECTION		PRODUCT SPEC		MCP HYB 60P COVER FOR GMT319 UH(BASE)	
MATERIAL		APPLICATION SPEC		SIZE CAGE CODE DRAWING NO	
SEE TABLE		WEIGHT 30g		A2 00779 C- 1743587	
CUSTOMER DRAWING				RESTRICTED TO	
SCALE 1/1				SHEET 1 OF 1 REV B	