

## Me Slide Potentiometer

SKU: 13614 Weight: 17.00 Gram

### What Is Me Slide Potentiometer?

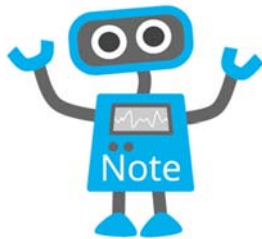
Me Slide Potentiometer is one type of potentiometer that can be used to control volume, light intensity, motor speed, movement control, etc. in interactive projects.

### Features

- Compatible with the Arduino sensor expansion board;
- Three 4mm mounting holes and one RJ25 port for easy assembling;
- With one red power indicator and one blue potentiometer indicator;
- Anti-reverse connection protection feature.

# How Does It Work?

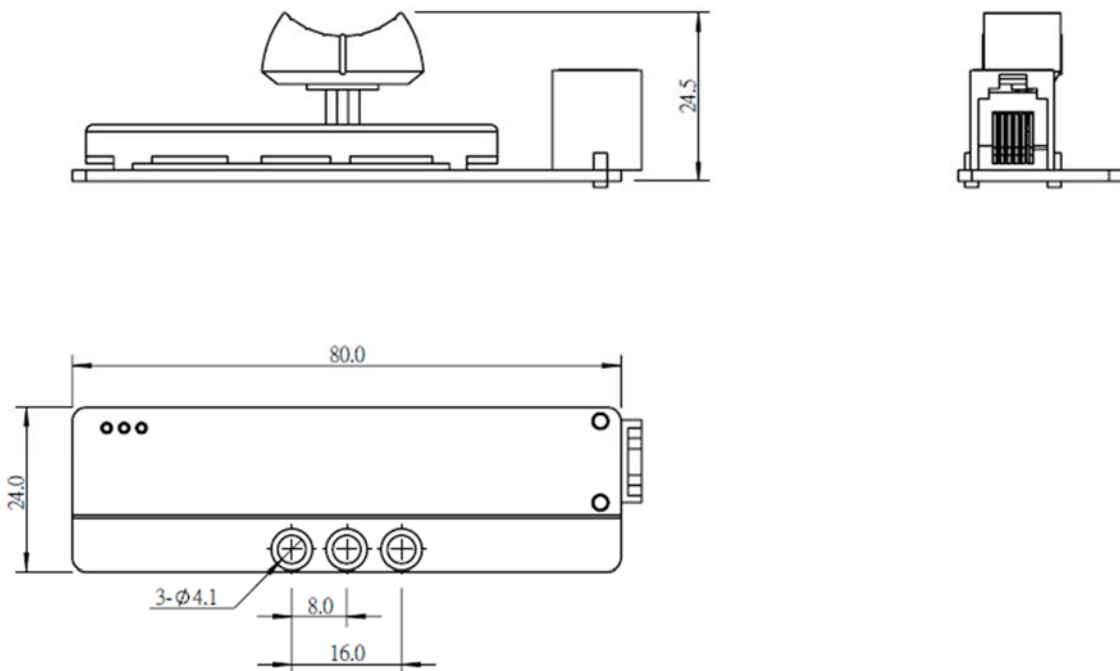
This Me Slide Potentiometer can be combined with Me Orion (or other Arduino IO/sensor expansion board) in interactive projects. Move the lever from one side to the other, its output voltage will range between 0 V to the VCC you apply. The VCC Me Slide Potentiometer supports vary from 3.3V to 5V.



## Note

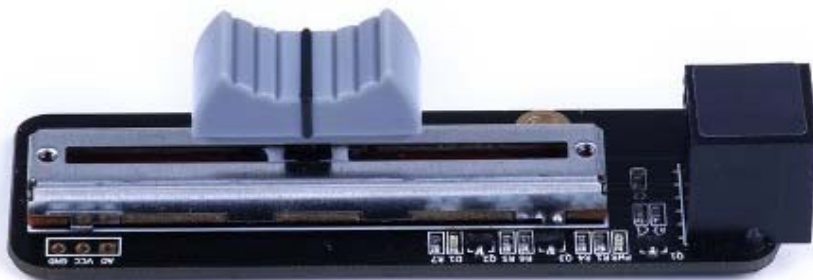
If you connect this module to Me Orion, please make sure you connect it to port 6, port 7 or port 8.

## Size Chart (mm):



# Specifications

Power Voltage	3.3-5V
Output Type	Analog Signal
Interface Type	RJ25 port
DIY Port	AO、GND、VCC
Potentiometer Rotational Life	10000 times
Product Dimension (L*W*H)	85 x 25 x 30mm (3.34 x 0.98 x 1.18inch)
Net Weight	15g (0.53oz)
Gross Weight	17g (0.6oz)
Part List	1 × Me Slide Potentiometer



<https://store.makeblock.com/me-slide-potentiometer> 8-7-18