

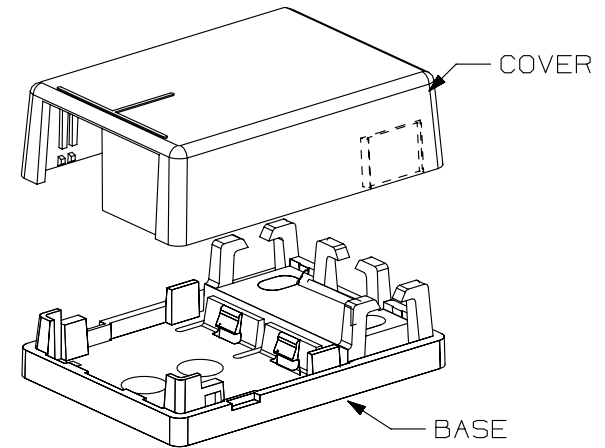
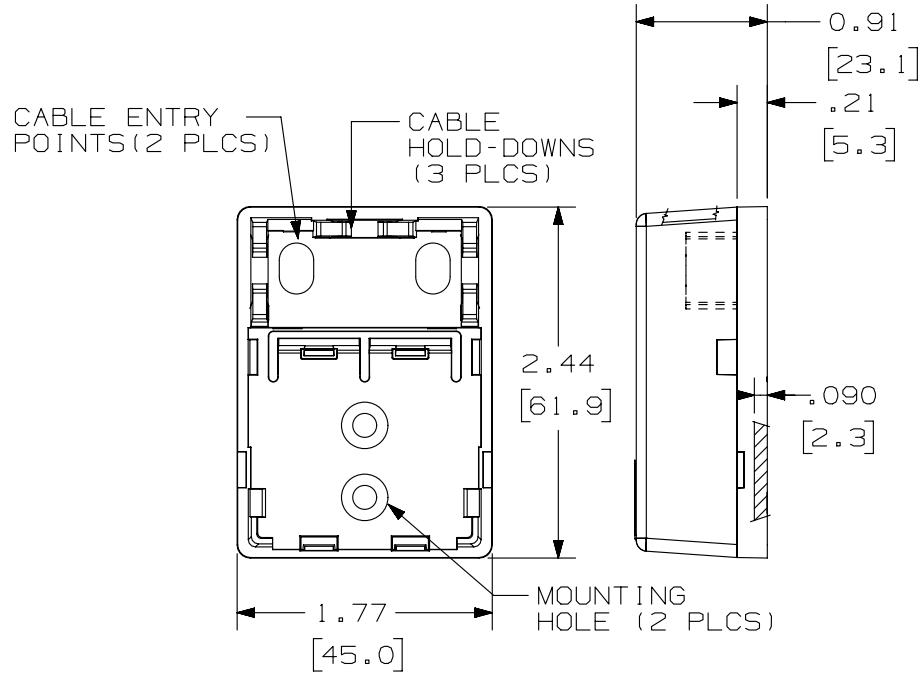
THIS COPY IS PROVIDED ON A RESTRICTED BASIS AND IS NOT TO BE USED IN ANY WAY DETRIMENTAL TO THE INTERESTS OF PANDUIT CORP.

NO WARRANTY, EXPRESSED OR IMPLIED, IS MADE BY PANDUIT WITH RESPECT TO ADHESIVE BOND PERFORMANCE. AMONG OTHER THINGS, THE CONDITIONS UNDER WHICH THESE MOUNTS MAY BE APPLIED AND/OR THE SURFACE TO WHICH THEY MAY BE APPLIED ARE BEYOND PANDUIT'S CONTROL.

PANDUIT P/N	WEIGHT
CBXJ2**-A	5.20 LB/100 PCS (2368 g/100 PCS)

NOTES:

- SEE CURRENT CATALOG FOR ADDITIONAL PART NUMBER SUFFIXES TO INDICATE COLOR AND OR PACKAGE QUANTITY.
- SEE CATALOG FOR COMPLETE LIST OF PARTS APPLICABLE FOR USE WITH THIS PART.
- PART SUPPLIED WITH:
  - 1- SURFACE MOUNT BOX COVER
  - 1- SURFACE MOUNT BOX BASE
  - 1- STRIP OF 1.00" X .75" FOAM TAPE FOR MOUNTING.
- DIMENSIONS IN [ ] ARE IN METRIC.



PART NUMBER		CBXJ2**-A	
TITLE			
MINI-COM ONE/TWO POSITION SURFACE MOUNT BOX			
CUSTOMER DRAWING			
ITEM REVISION NAME		D35089BI/00	
DATASET FILE NAME		D35089BI_DC/00B	
UNLESS OTHERWISE SPECIFIED, DIMENSIONAL TOLERANCES ARE: IN [ mm ]		MATERIAL:	
.x ± .xx ± .03 [ .8 ]		ABS	
.xxx ± .010 [ .3 ]		DRAWING NUMBER:	
ANGLES ±		35089-03	
THIRD ANGLE PROJECTION		SHT 1 OF 1	
DRAWN BY	DATE	CHK	SCALE
DW	10-27-95	CEF	NONE
REV	DATE	BY	CHK
1	3/18/14	JSP	REFR
R	10-27-95	DW	CEF

REV	DATE	BY	CHK	APR	DESCRIPTION	ECN
1	3/18/14	JSP	REFR	MMR	B. REDUCED DRAWING PAGES FORM 2 TO 1. A. REVISED DRAWING TITLE BLOCK.	35089-03
R	10-27-95	DW	CEF	CEF	RELEASED TO PRODUCTION	35089-03

D10100DA/14