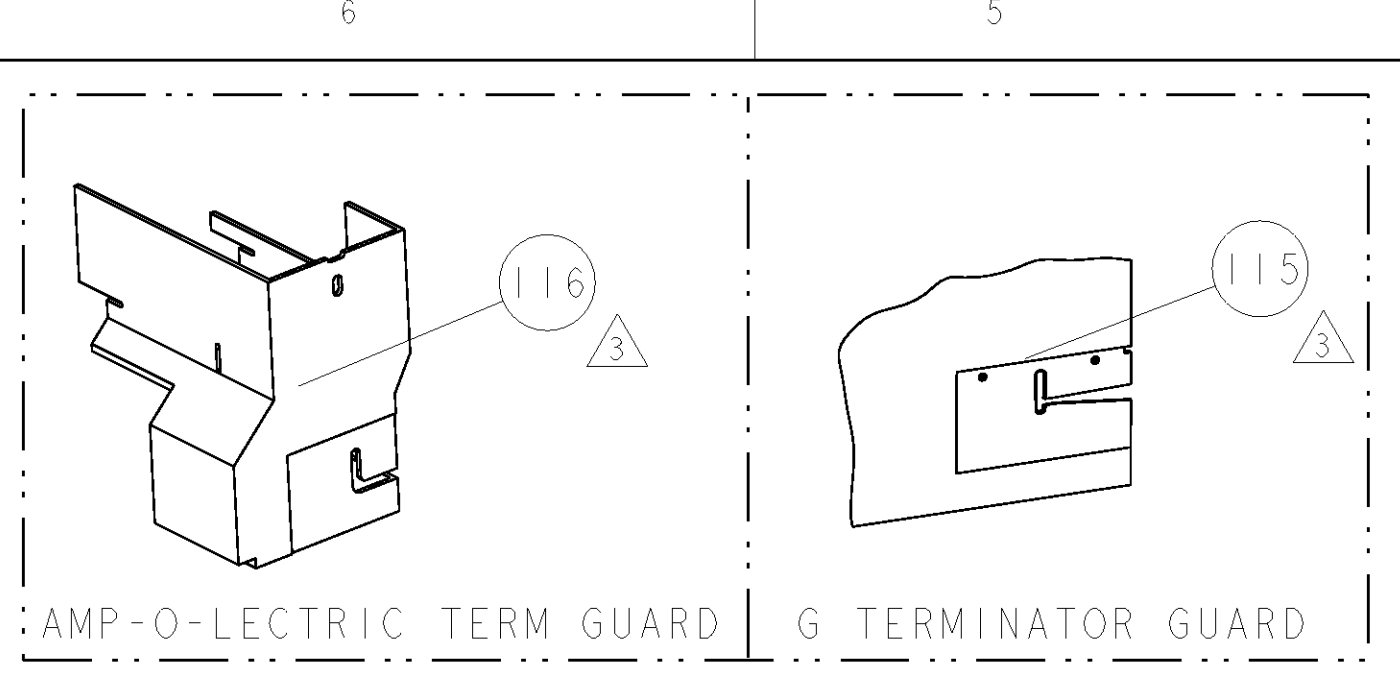


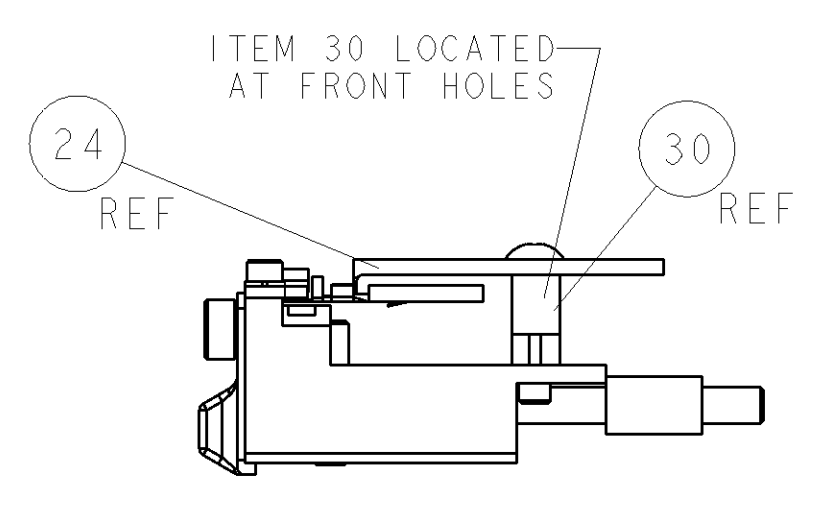
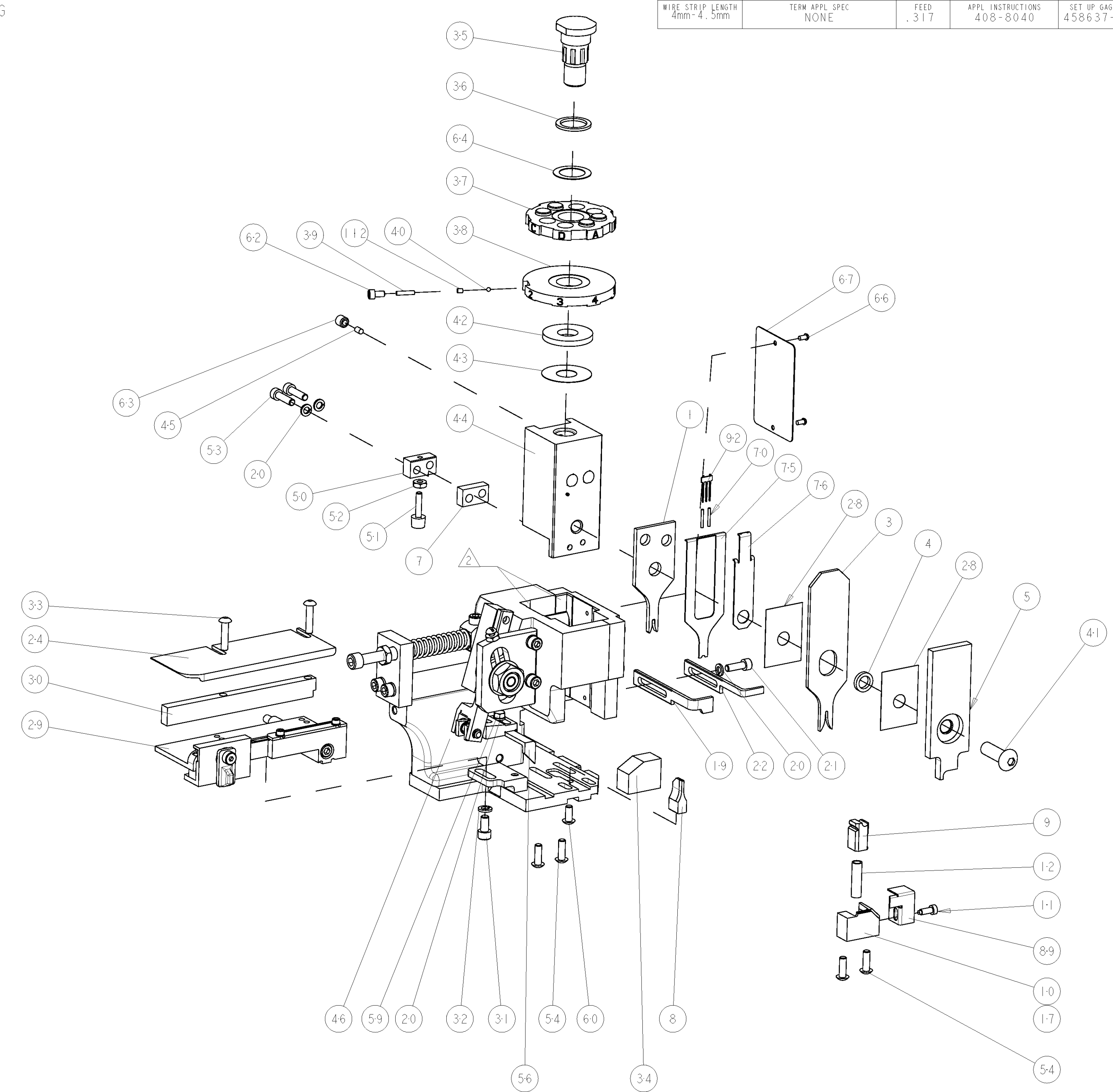
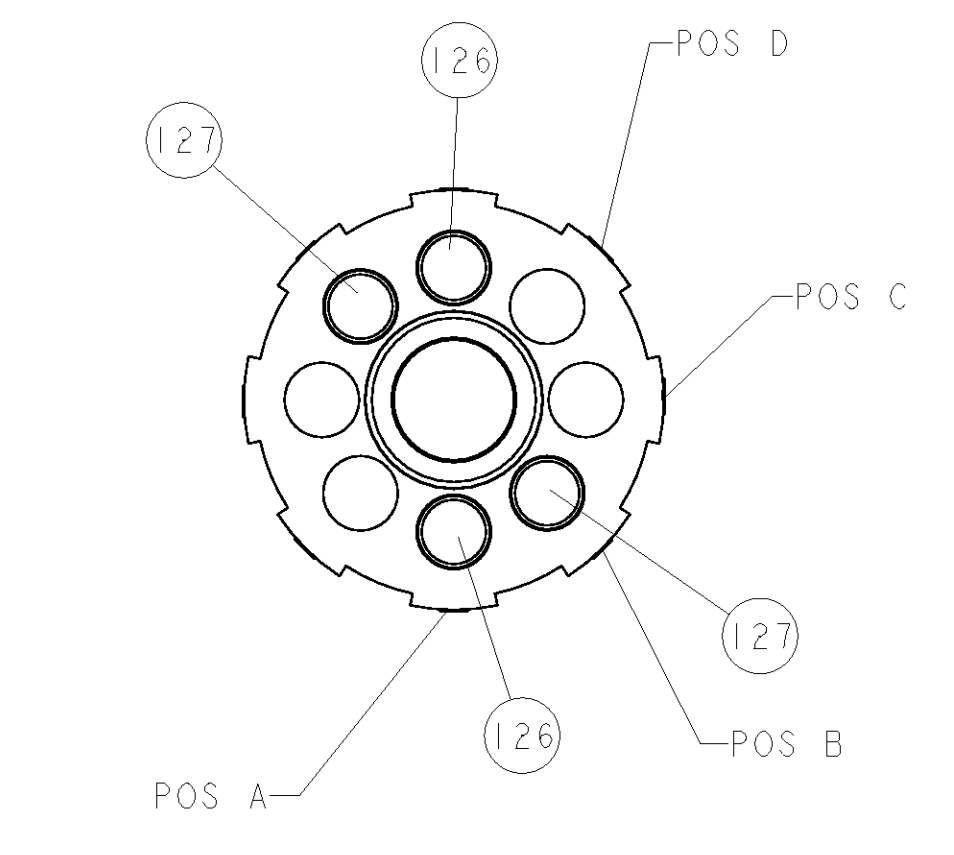
PART NUMBER	REV	FIRST USED	POWER UNIT	FEED TYPE	DESCRIPTION
1852606-1	B	122500-1	LEADMAKER	POST FEED	CUTS CARRIER
1852606-2	B	565435-5	BENCH MODEL K	PRE FEED	CUTS CARRIER
1852606-3	B	354500-1	BENCH MODEL G	PRE FEED	CUTS CARRIER
1852606-6	B	122500-1	LEADMAKER	POST FEED	CONTINUOUS CARRIER
7-1852606-7	A	-	-	-	SPARE PARTS



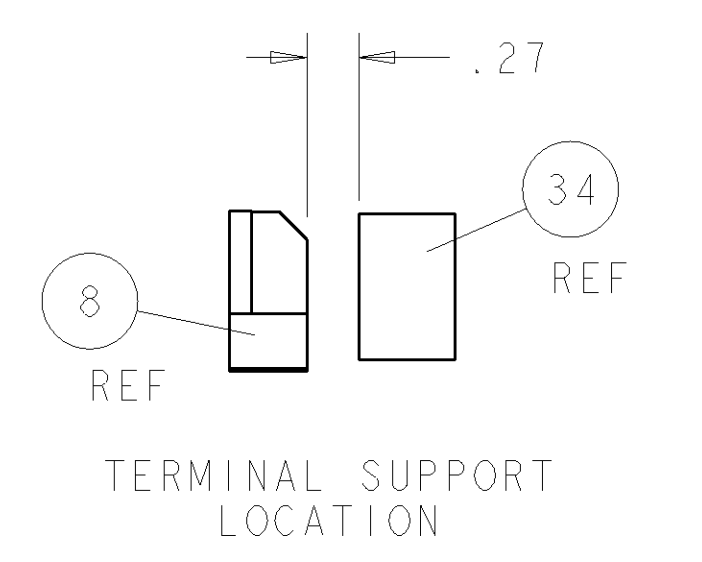
TERMINAL NAME: TERMINAL, MALE					
TE PN	JST PN	JST TERMINAL - JST CRIMP SPECS			
1832718	SAITW-A03TG6-064	PAD LTR	CRIMP HEIGHT		WIRE SIZE
1832719	SAITW-A03T-064		A	1.08±0.05mm[.043±.002]	20
-	-	B	0.98±0.05mm[.039±.002]	22	-
-	-	C	-	-	-
-	-	D	-	-	-
-	-	CRIMP	SIZE	TYPE	RANGE
-	-	WIRE	1.50mm[.059]	F	20-22
-	-	INSUL	1.60mm[.062]	O	1.9MAX
WIRE STRIP LENGTH 4mm-4.5mm	TERM APPL SPEC NONE	FEED .317	APPL INSTRUCTIONS 408-8040	SET UP GAGE 458637-1	

LOC	DIST	REV	DESCRIPTION	DATE	DWN	APPR
A	66					
A			PRODUCT RELEASED	JAN2008	CMR	TE
A2			ECR-09-013474	11JUN2009	MY	GB
B			ECR-10-017823	26AUG2010	MY	GB

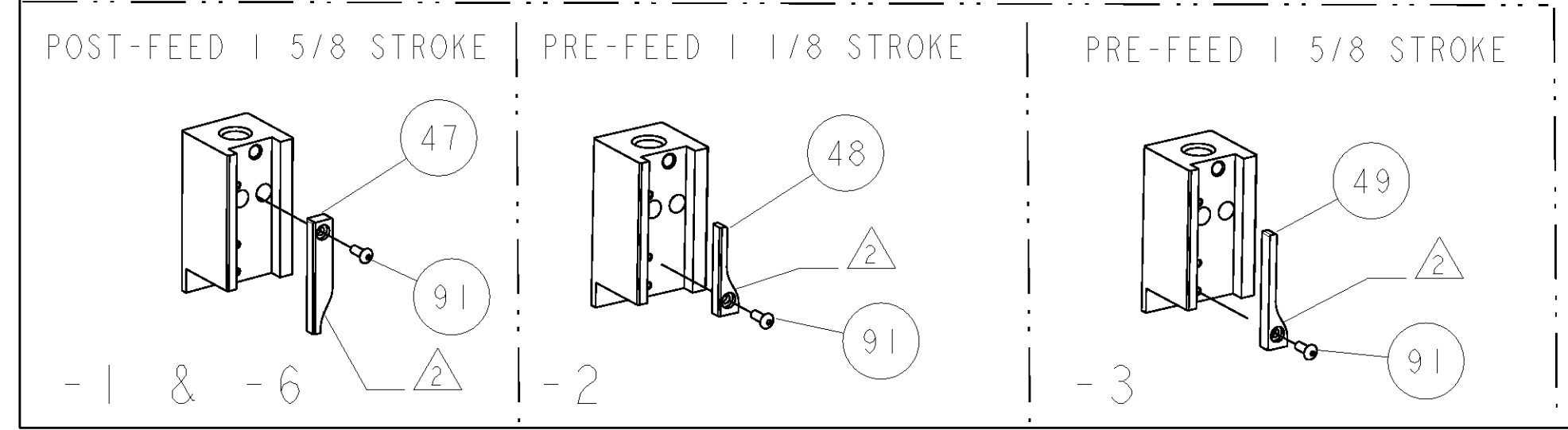
- △ RECOMMENDED SPARE PARTS
- △ GREASE LIGHTLY
- △ GUARD MUST BE IN PLACE WHEN OPERATING APPLICATOR IN A BENCH MACHINE



FEED TRACK POSITION



TERMINAL SUPPORT LOCATION



REV	QTY	UOM	PART NO	DESCRIPTION	ITEM NO	
-	2	2	2	2	1-354779-6 PIN, WIRE DISC, .3070	127
-	2	2	2	2	354779-8 PIN, WIRE DISC, .3030	126
△	-	-	REF	-	455749-1 GUARD WINDOW	116
△	-	-	REF	-	679532-1 INSERT, GUARD	115
-	1	1	1	1	690603-1 SPRING ASSIST AMP-O-MATOR APPLICATOR	112
-	1	1	1	1	1424350-1 HOLDER, PIN, WIRED	92
-	1	1	1	1	1-21002-7 SCR, BTN SKT HD CAP 6-32 X .375	91
-	1	1	1	1	318563-1 GUARD, FRONT CHIP	89
-	1	1	1	1	1490524-1 DEPRESSOR, SPACER	76
-	1	1	1	1	1490525-3 DEPRESSOR, WIRE	75
-	1	1	1	1	4088040 SF APPL INST 408-8040	72
-	1	1	1	1	217238-1 GENERAL INSTRUCTION PKG	71
-	2	2	2	2	2-23147-2 SPRING, COMPRESSION	70
-	1	1	1	1	461264-1 PLATE, IDENTIFICATION	67
-	2	2	2	2	21017-2 SCREW, DRIVE	66
-	1	1	1	1	986950-1 WASHER, FLAT PRECISION	64
-	1	1	1	1	21009-2 SCR, SET, SELF LOCKING 1/4-20 X .250	63
-	1	1	1	1	23030-1 SCR, SKT HD CAP 6-32 X .25	62
-	1	1	1	1	22733-8 SCR, BHSC, SELF-LOCKING, 8-32 X .375	60
-	1	1	1	1	2-22603-0 SCR, HEX HD CAP 8-32 X .312	59
-	1	1	1	1	458537-2 PAWL, FEED	56
-	4	4	4	4	2-21002-2 SCR, BTN SKT HD CAP 8-32 X .500	54
-	2	2	2	2	2-21000-8 SCR, SKT HD CAP 8-32 X .625	53
-	1	1	1	1	21018-5 NUT, HEX, REG 6-32	52
-	1	1	1	1	811242-2 BUMPER, HOLD DOWN	51
-	1	1	1	1	690753-1 SPACER, TONKER	50
-	-	1	-	-	690602-6 CAM, PRE FEED, 1/8	49
-	-	1	-	-	690602-5 CAM, PRE FEED, 1/8	48
-	1	1	1	1	690501-4 CAM, POST-FEED 1/8	47
-	1	1	1	1	459456-1 APPL. BASIC SUB ASSY (SIDE WISE MOCA)	46
-	1	1	1	1	690191-1 PLUG, NYLON	45
-	1	1	1	1	455673-1 RAM, SIDE FEED	44
-	1	1	1	1	690125-1 SHIM SUB-ASSY	43
-	1	1	1	1	690124-4 WASHER, RAM (.135)	42
-	1	1	1	1	7-21002-9 SCR, BTN SKT HD CAP 5/16-24 X 1.00	41
-	1	1	1	1	23241-6 BALL, STEEL	40
-	1	1	1	1	690170-1 SPRING, COMPRESSION	39
-	1	1	1	1	690142-1 DISC, INSULATION	38
-	1	1	1	1	354777-1 WIRE DISC, ASSEMBLY	37
-	1	1	1	1	22480-5 SPRING, COMPRESSION	36
-	1	1	1	1	690212-1 POST, RAM	35
-	1	1	1	1	690786-3 TERMINAL SUPPORT	34
-	2	2	2	2	2-21002-4 SCR, BTN SKT HD CAP 8-32 X .750	33
-	1	1	1	1	21024-5 WASHER, SPRG LOCK, REG NO 10	32
-	1	1	1	1	3-21000-4 SCR, SKT HD CAP 10-32 X .375	31
-	1	1	1	1	1320908-4 SPACER, STRIP GUIDE	30
-	1	1	1	1	1633091-1 ASSEMBLY, STRIP GUIDE	29
-	1	1	1	1	455888-1 SPACER, CRIMPER	28
-	1	1	1	1	1320928-3 PLATE, STRIP GUIDE	24
-	1	1	1	1	690472-2 STRIPPER	22
-	1	1	1	1	2-21000-7 SCR, SKT HD CAP 8-32 X .500	21
-	4	4	4	4	21024-4 WASHER, SPRG LOCK, REG NO 8	20
-	1	1	1	1	691353-1 STRIPPER	19
-	1	1	1	1	679625-1 SHEAR HOLDER, FRONT (NO CUT)	17
△	1	1	1	1	3-22280-3 SPRING, COMPRESSION	12
-	1	1	1	1	690461-1 STOP, SHEAR	11
-	-	1	-	-	690459-1 SHEAR HOLDER, FRONT	10
△	1	1	1	1	462006-1 FLOATING SHEAR, FRONT	9
△	1	1	1	1	9-1633117-6 ANVIL, COMBINATION	8
△	1	1	1	1	8-240641-8 SPACER	7
-	1	1	1	1	455889-9 DEPRESSOR, SHEAR	5
-	1	1	1	1	1-238011-0 BLOCK, CRIMPER SPACER	4
1	1	1	1	1	4-904741-3 CRIMPER, INSUL O PREMIUM	3
-	1	1	1	1	455888-1 SPACER, CRIMPER	2
△	1	1	1	1	9-1673600-5 CRIMPER, WIRE	1

DIMENSIONS: INCHES		TOLERANCES UNLESS OTHERWISE SPECIFIED:		DATE: 27NOV2007		DRAWN: C. REICHELDECKER		CHECKED: T. ELBIN		APPROVED: N. DEMING		PRODUCT SPEC: -		APPLICATION SPEC: -		WEIGHT: -		MATERIAL: -		FINISH: -			
1	PLC	±	.01	2	PLC	±	.001	3	PLC	±	.0001	4	PLC	±	.00001	SIZE: A1		CAGE CODE: 00779		DRAWING NO: 1852606		RESTRICTED TO: -	
CUSTOMER ACCESSIBLE PRODUCTION DRAWING												SCALE: 3:5		SHEET: 1 OF 1		REV: B							