

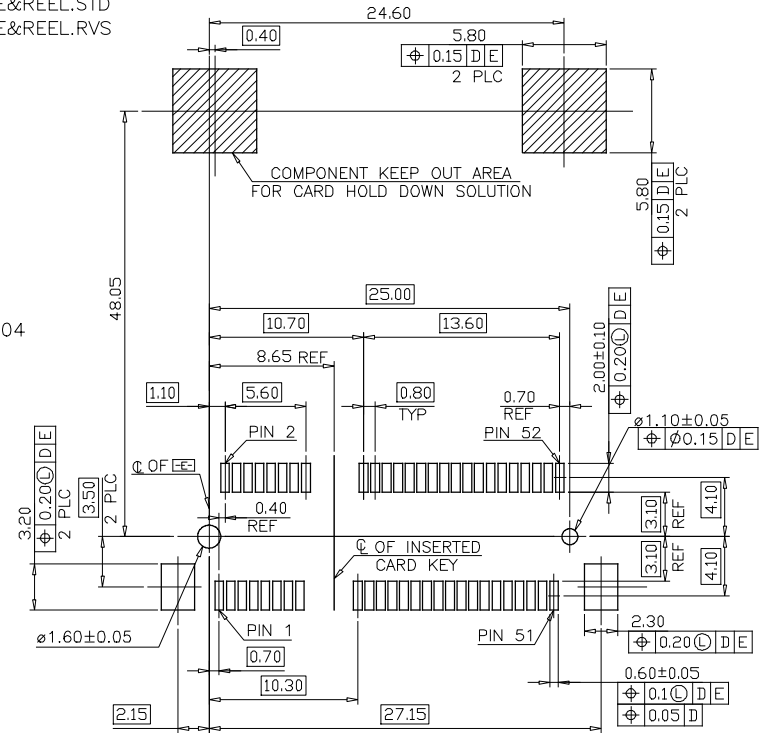
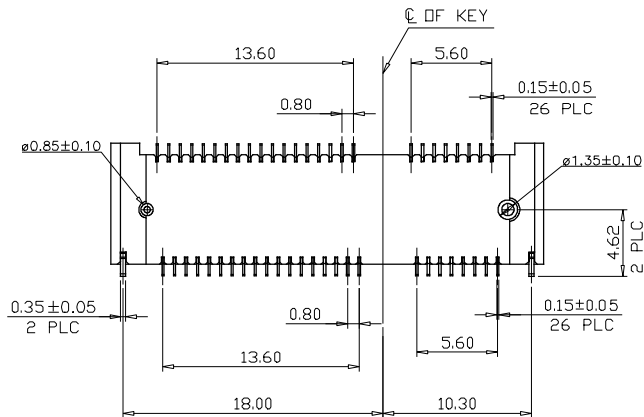
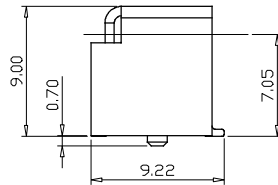
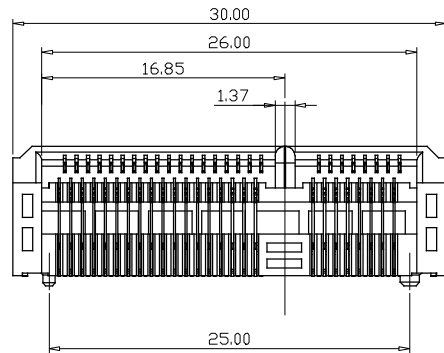
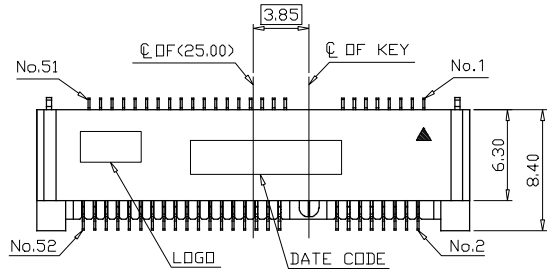
PRODUCT NUMBER  
10123921-XXXLF

MATERIAL  
HOUSING : THERMO PLASTIC UL94V-0 BLACK  
CONTACT : COPPER ALLOY  
PEG : COPPER ALLOY

PART NO. SCHEMATIC: 10123921 - XX X LF

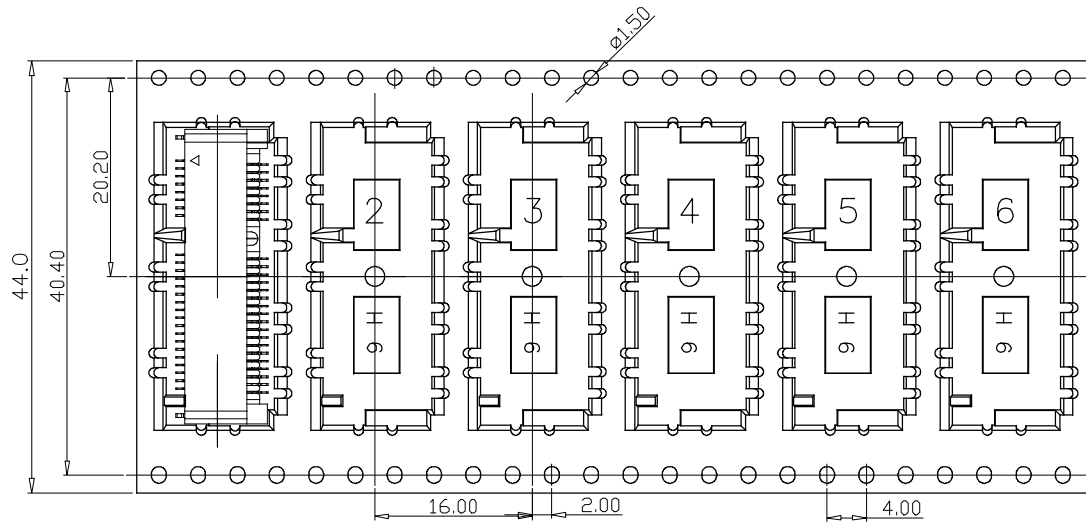
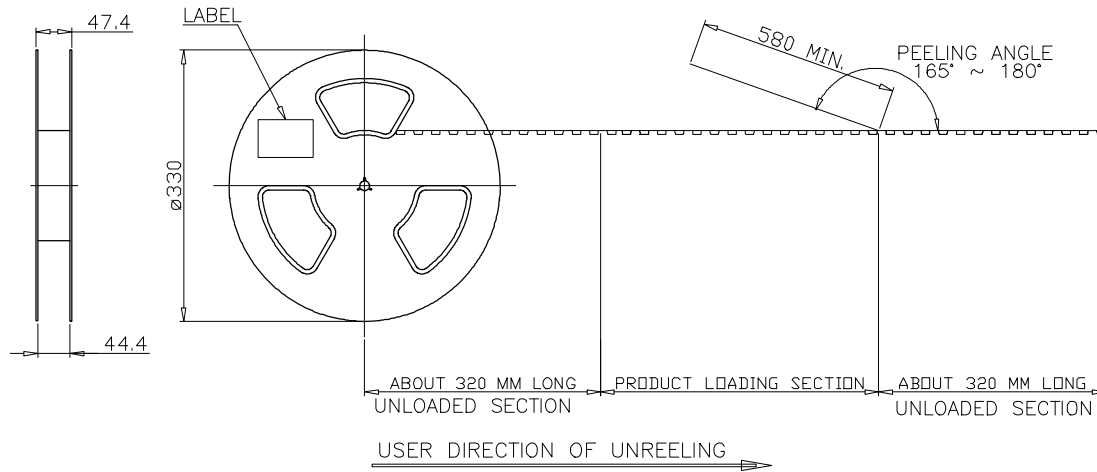
TERMINAL PLATING \_\_\_\_\_ PACKING \_\_\_\_\_  
00: NO PLATING 0: TAPE&REEL.STD  
G2: GOLD FLASH 1~3μ<sup>m</sup> OVER Ni 50~100μ<sup>m</sup> 1: TAPE&REEL.RVS  
A2: CONTACT AREA AND SOLDER AREA :  
SELECTION GOLD 1μ<sup>m</sup> OVER Ni 50~100μ<sup>m</sup>  
A7: CONTACT AND SOLDER TAIL AREA GOLD PLATING  
10μ<sup>m</sup> MIN OVER Ni 50~100μ<sup>m</sup>  
S7: CONTACT AREA GOLD PLATING  
10μ<sup>m</sup> MIN AND SOLDER TAIL PLANTING 1μ<sup>m</sup> min  
OVER Ni 50~100μ<sup>m</sup>

PRODUCT SPEC.: GS-12-1111  
PACKAGE SPEC.: GS-14-2284  
THIS PRODUCT MEETS EUROPEAN UNION DIRECTIVES AND  
OTHER COUNTRY REGULATIONS AS DESCRIBED IN GS-47-0004  
THE HOUSING WILL WITHSTAND EXPOSURE TO 260°C PEAK  
TEMPERATURE FOR 10 SECONDS IN A CONVECTION, IR OR  
VAPER PHASE REFLOW OVEN.

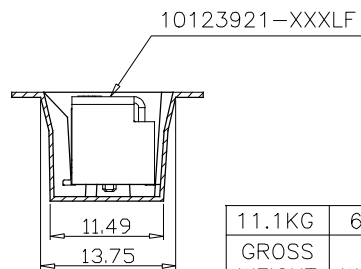


-D- IS THE TOP SURFACE OF PCB  
RECOMMENDED P.C.BOARD PATTERN LAYOUT

mat'l. code		surface		tolerance ASME Y14.5		projection		product family	
ltr	ecn no	dr	date	tolerances unless otherwise specified		MM		title	
A		TAI	2013-01-30	angles	X.X ± 0.30	← MM →		0.80MM PITCH MINI PCI EXPRESS HIGH=9.0mm 52 PIN CONNECTOR	
				fil	X.XX ± 0.20	scale		dwg no	
				X*±4'	X.XXX ± 0.15			sheet 1 of 3 size	
				dr	KENNY TAI	2013-01-30		A4	
				enr	KENNY TAI	2013-01-30		10123921	
				chr	KENNY TAI	2013-01-30		type	
				appd	PM ZHENG	2013-01-30		CUSTOMER Drawing	
sheet index	revision sheet	A	A	A					
		1	2	3					



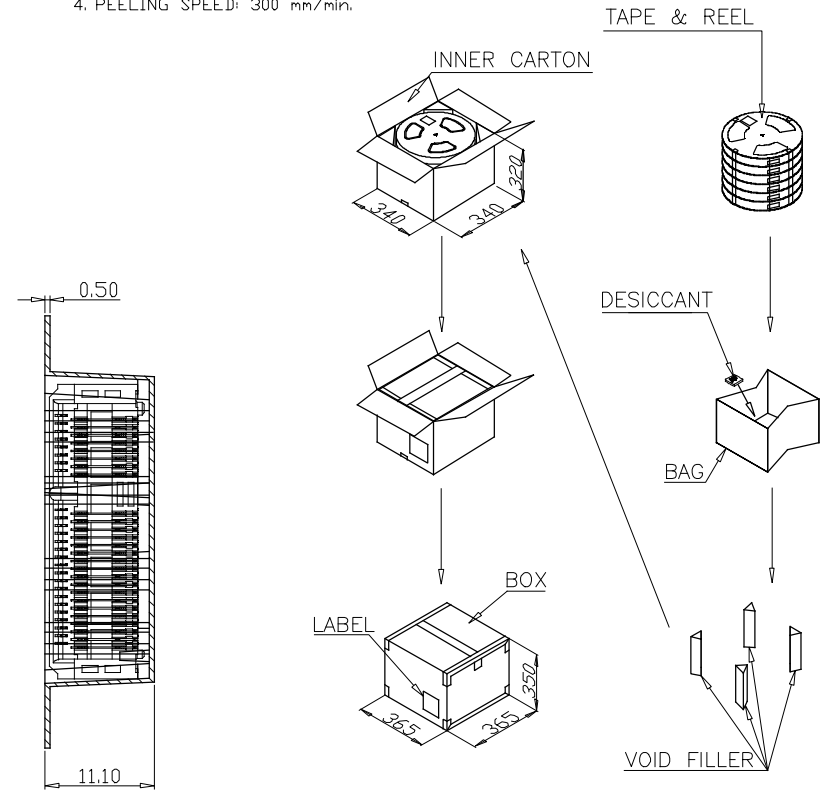
STANDARD TAPE & REEL  
(FOR -XXOLF)



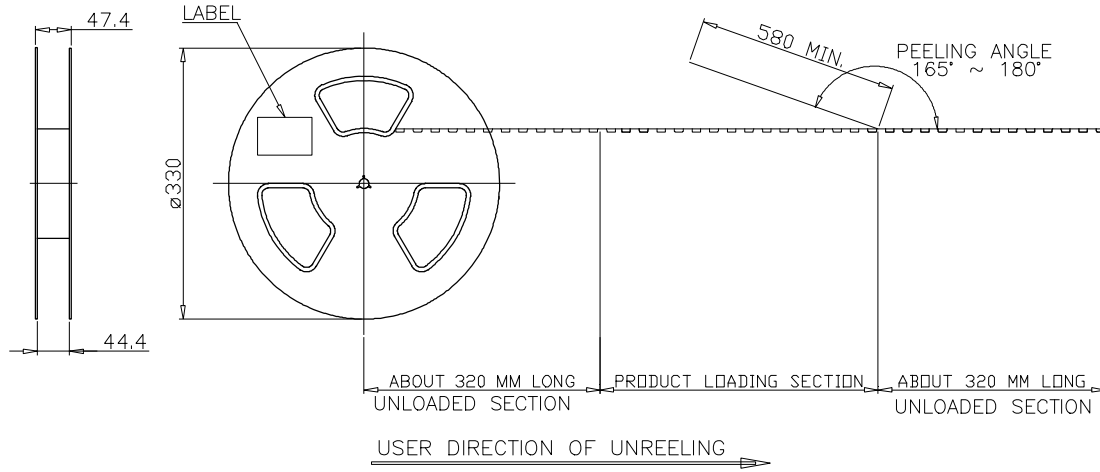
11.1KG	6.1KG	350	6	2100
GROSS WEIGHT	NET WEIGHT	PCS/ REEL	REEL/ BOX	PCS/ BOX

NOTES:

- MATERIAL:  
BOX: FIBREBOARD, CORRUGATED, DOUBLE WALL.  
COVER TAPE: PET, 120C° HEAT-RESISTANT TEMPERATURE, TRANSPARENT COLOR.  
CARRIER TAPE: POLYSTYRENES, 120C° HEAT-RESISTANT TEMPERATURE, TRANSPARENT COLOR.  
REEL: HIPS, 70C° HEAT-RESISTANT TEMPERATURE, BLUE COLOR.  
BAG: POLYETHYLENES, 100C° HEAT-RESISTANT TEMPERATURE, TRANSPARENT COLOR.
- EACH BAG SHALL BE INCLUDED DESICCANT.
- PEELING STRENGTH: 0.1 ~ 1.3 N (10 ~ 130 GRAMS).
- PEELING SPEED: 300 mm/min.

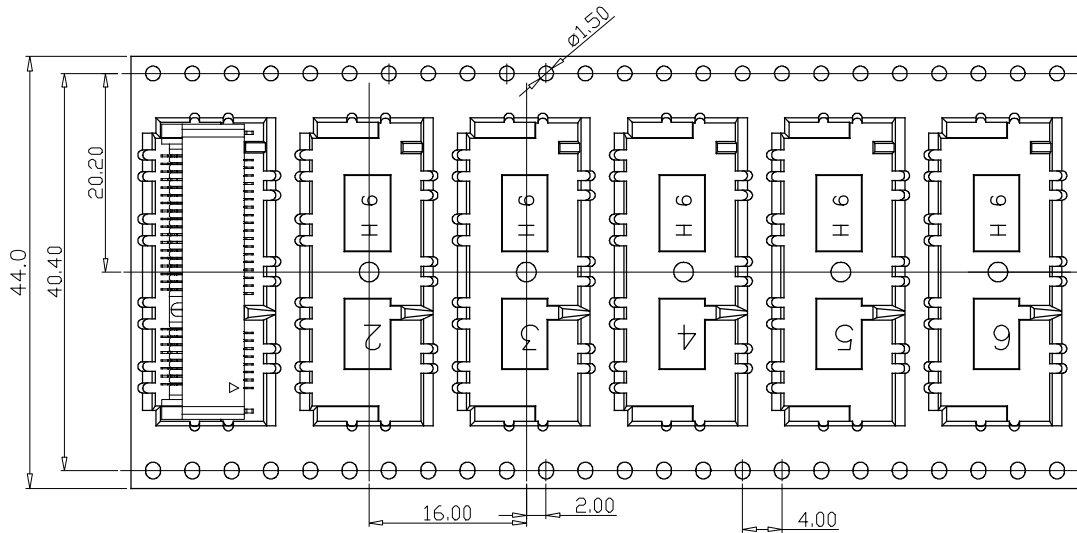


mat'l. code		surface		tolerance ASME Y14.5		projection		product family	
ltr	ecn no	dr	date	tolerances unless otherwise specified		MM		title	
A		TAI	2013-01-30	angles	X.X ± 0.30	MM		0.80MM PITCH MINI PCI EXPRESS HIGH=9.0mm 52 PIN CONNECTOR	
				fil	X.XX ± 0.20	scale		dwg no	
				X*±4'	X.XXX ± 0.15			sheet 2 of 3 size	
				dr	KENNY TAI	2013-01-30		A4	
				enr	KENNY TAI	2013-01-30		10123921	
				chr	KENNY TAI	2013-01-30		type	
				appd	PM ZHENG	2013-01-30		CUSTOMER Drawing	
sheet index	revision sheet	A	A	A	A				
		1	2	3					

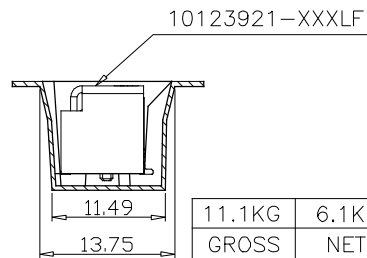


NOTES:

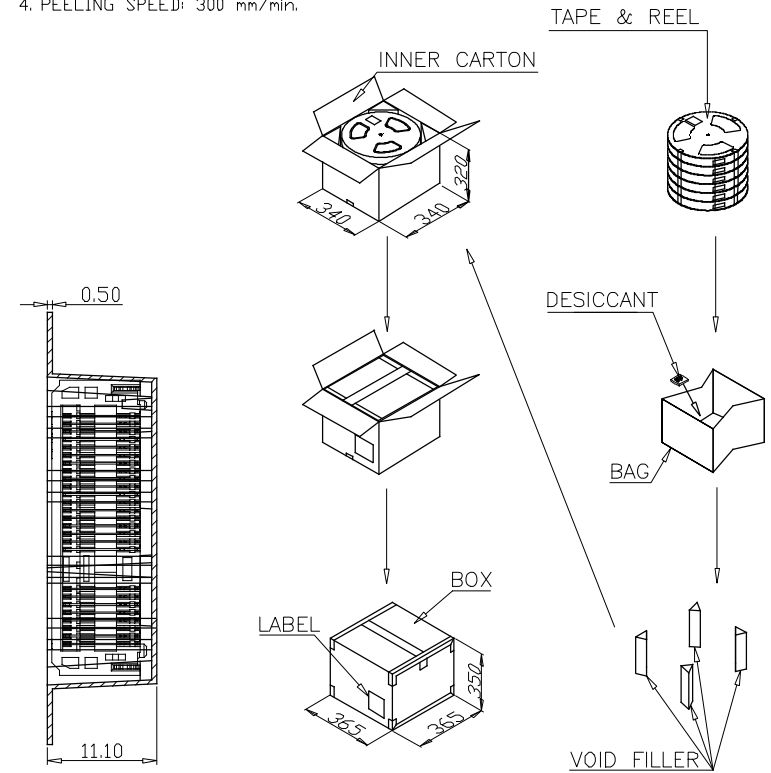
1. MATERIAL:  
 BOX: FIBREBOARD, CORRUGATED, DOUBLE WALL.  
 COVER TAPE: PET, 120C° HEAT-RESISTANT TEMPERATURE, TRANSPARENT COLOR.  
 CARRIER TAPE: POLYSTYRENES, 120C° HEAT-RESISTANT TEMPERATURE, TRANSPARENT COLOR.  
 REEL: HIPS, 70C° HEAT-RESISTANT TEMPERATURE, BLUE COLOR.  
 BAG: POLYETHYLENES, 100C° HEAT-RESISTANT TEMPERATURE, TRANSPARENT COLOR.
2. EACH BAG SHALL BE INCLUDED DESICCANT.
3. PEELING STRENGTH: 0.1 ~ 1.3 N (10 ~ 130 GRAMS).
4. PEELING SPEED: 300 mm/min.



REVERSE TAPE & REEL  
(FOR -XX1LF)



	11.1KG	6.1KG	350	6	2100
	GROSS WEIGHT	NET WEIGHT	PCS/ REEL	REEL/ BOX	PCS/ BOX



mat'l. code		surface		tolerance <input checked="" type="checkbox"/> ASME Y14.5		projection		product family	
ltr	ecn no	dr	date	tolerances unless otherwise specified		MM		title	
A		TAI	2013-01-30	angles	X.X ± 0.30	← →		0.80MM PITCH MINI PCI EXPRESS	
				fil	X.XX ± 0.20	scale		HIGH=9.0mm 52 PIN CONNECTOR	
				X*±4'	X.XXX ± 0.15			dwg no	
				dr	KENNY TAI	2013-01-30		sheet 3 of 3	
				enr	KENNY TAI	2013-01-30		size	
				chr	KENNY TAI	2013-01-30		A4	
				appd	PM ZHENG	2013-01-30		type	
sheet index		revision sheet		A	A	A		CUSTOMER Drawing	
		1	2	3					