

1

2

3

4

5

6

7

A

B

C

D

E

F

G

H

A

B

C

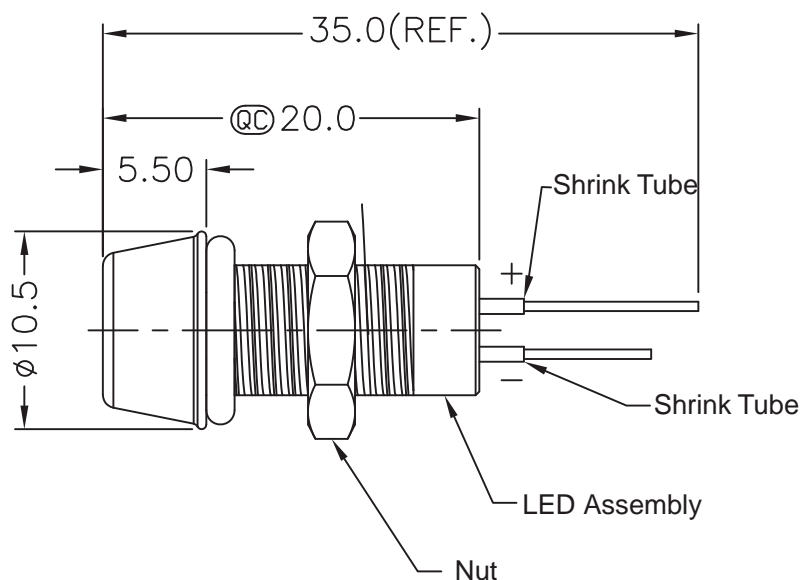
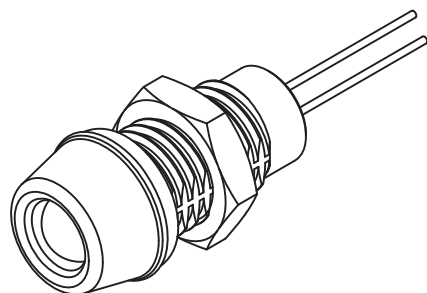
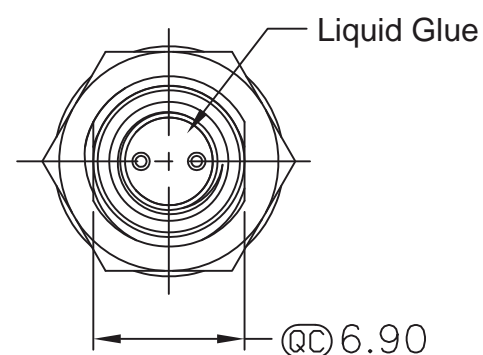
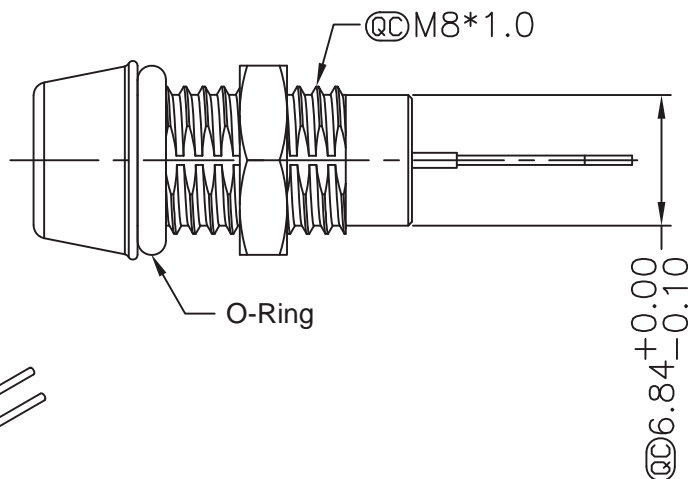
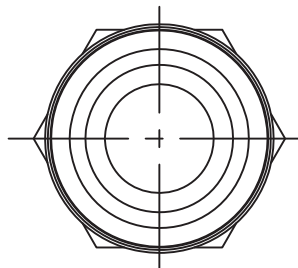
D

E

F

G

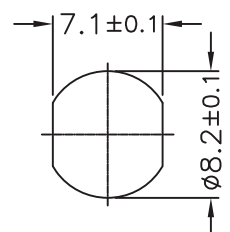
H

**Material:**

- Waterproof Rate: IP67
- LED Holder: Brass, Nickel plating
- LED: Ø5mm, Green
- Lense Color: Water Clear
- Forward Voltage: Green Typ. 3.5V
- Forward Current: Green Min.30mA
- Luminous Intensity: Green Typ.6,100(Mcd)
- Reverse Voltage: 5V DC
- Operating Temperature: -40°C~+80°C
- Gasket: EPDM, Black
- Screw Nut: Brass, Nickel plating
- For Panel Thickness 6.5MM Max.


QC Quality Control: Important Dimension to check

Recommended
Panel Cut-Out



Unit: mm



Scale	Free					Date	Name	Title
TOLERANCE						Drawn	06.03.14	Wilson
X.	±0.3					Approved	06.03.14	Groll
X.X	±X							
X.XX	±X							
DIM	TOL							
X.°	±X°							
X.X°	±X°							
Angle	TOL	Id.	Modification	Date	Name	1840 W. Drake Drive, Suite 101 • Tempe, AZ 85283 Toll Free: 1-877-277-6266 • Email: info@assmann.us		Replace

Waterproof LED
Green color, metal, Ø5.0mm

ASSMANN WSW-No.
A-LED8-1GBAS-MR7-1

Drawing-No.
ASS 6230 CO rev00

Sheet
1/1

1

2

3

4

5

6

7