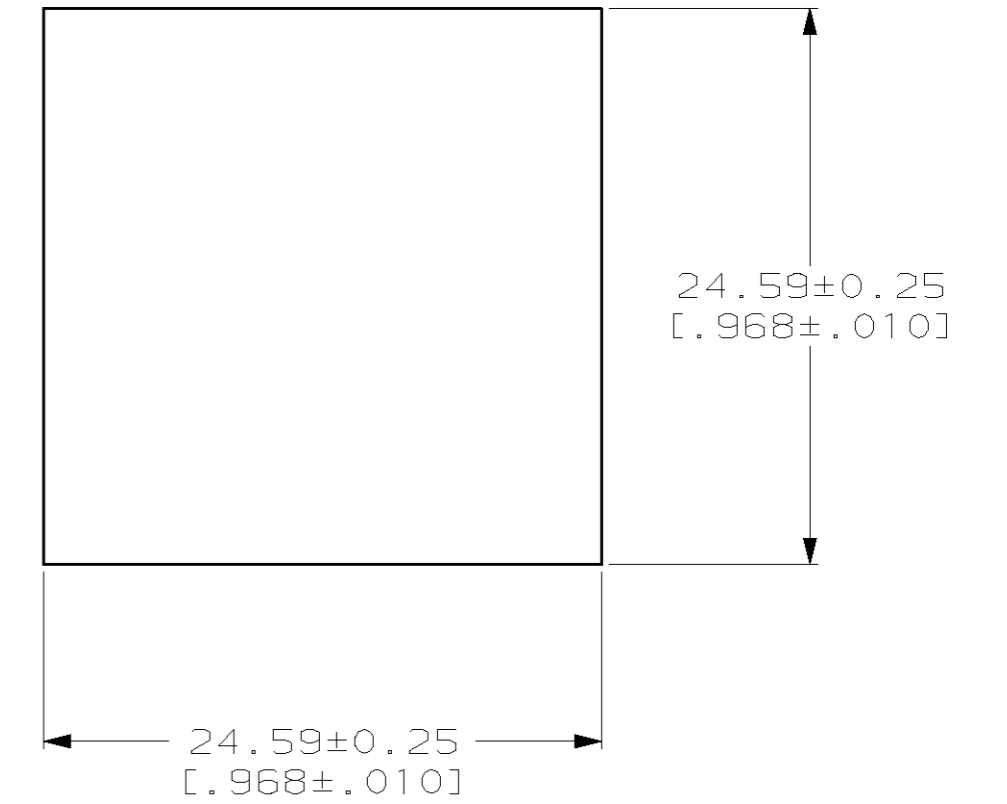
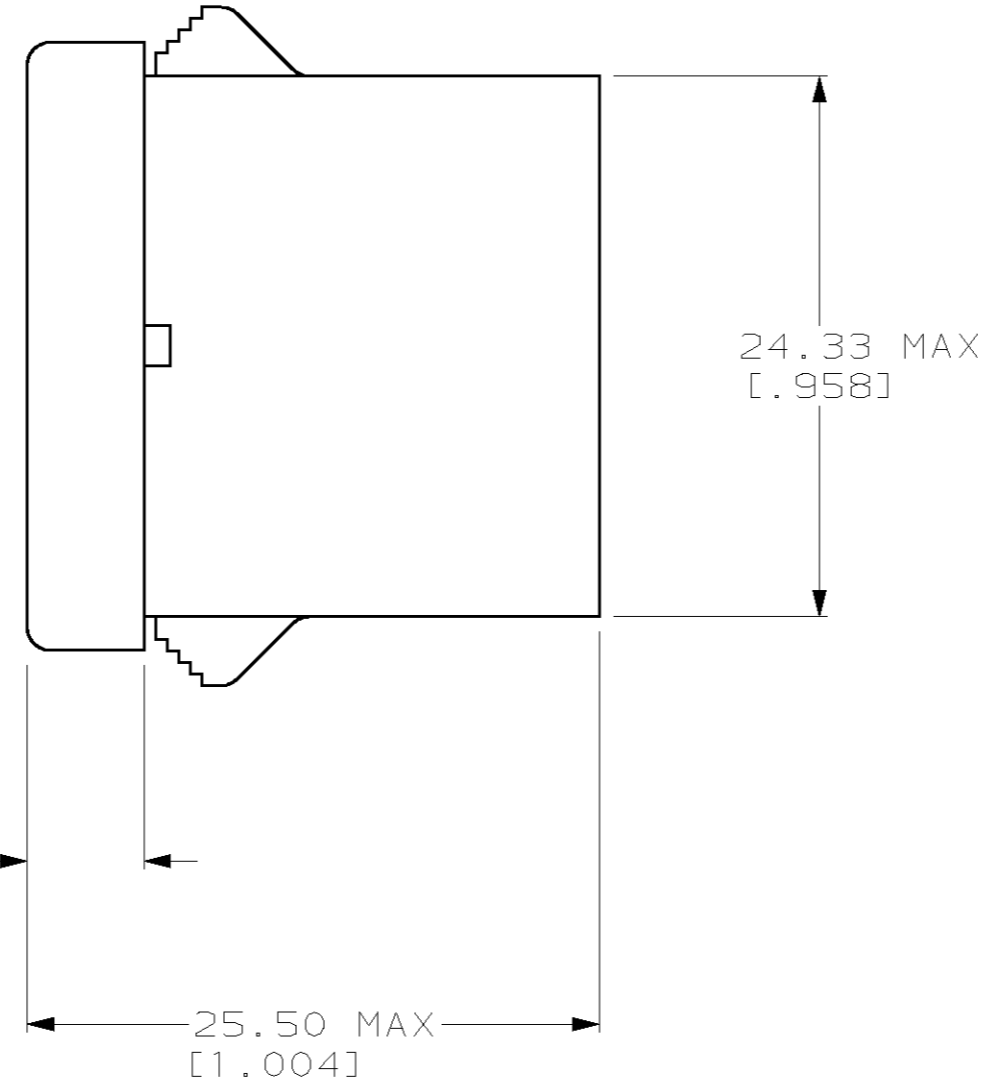
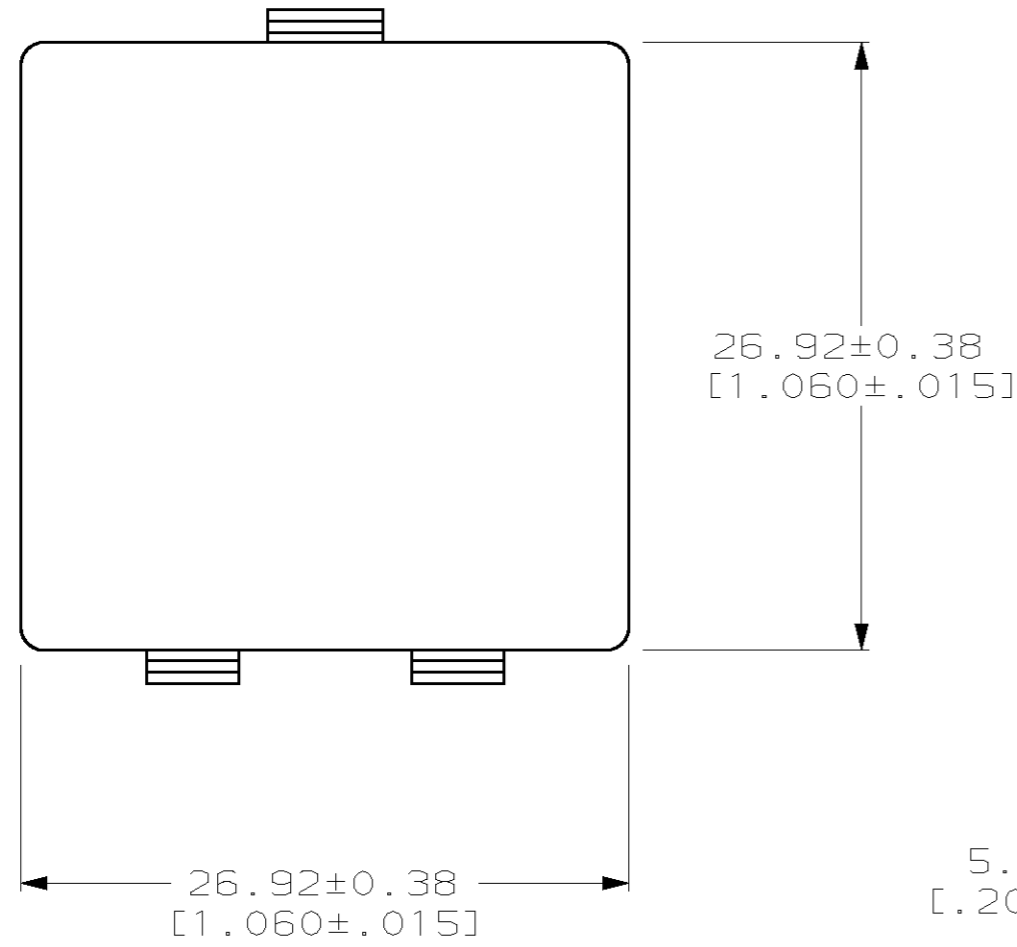
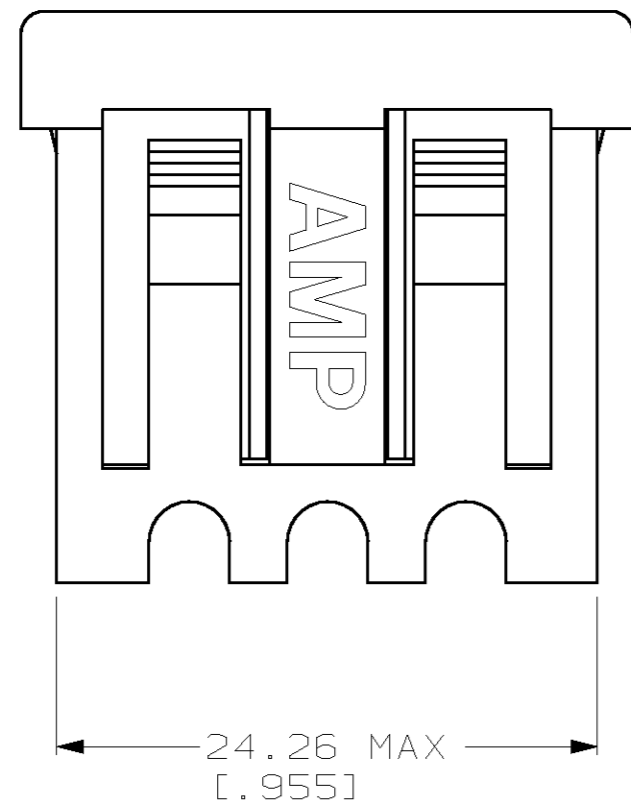


THIS DRAWING IS UNPUBLISHED. RELEASED FOR PUBLICATION .19
 BY AMP INCORPORATED. ALL RIGHTS RESERVED.

LOC	DIST	REVISIONS			
P	LTR	DESCRIPTION	DATE	DWN	APVD
BD	39	0	RLSE NPR 5743	13 AUG 99	-



RECOMMENDED PANEL CUTOUT
 PANEL THICKNESS
 0.76-1.78
 [.030-.070]



1 NYLON, UL 94V-0 RATED, BLACK.

796285-1
 PART NUMBER

THIS DRAWING IS A CONTROLLED DOCUMENT.		DWN S. WELDON 13AUG1999	AMP Incorporated Harrisburg, PA 17105-3608	
DIMENSIONS: mm		CHK R. BUCHTER 13AUG1999	NAME PANEL PLUG	
TOLERANCES UNLESS OTHERWISE SPECIFIED:		APVD R. BUCHTER 13AUG1999	RESTRICTED TO	
0 PLC ±-		PRODUCT SPEC	-	
1 PLC ±-		APPLICATION SPEC	-	
2 PLC ±-		WEIGHT	-	
3 PLC ±-		SCALE	4:1	
4 PLC ±-		SIZE	A2	
ANGLES ±-		CAGE CODE	00779	
FINISH -		DRAWING NO	C- 796285	
MATERIAL		SHEET		OF
1		1		REV
CUSTOMER DRAWING		1		0

796285

A