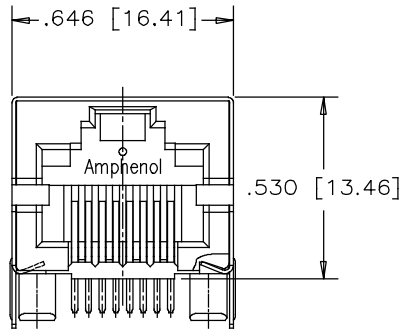
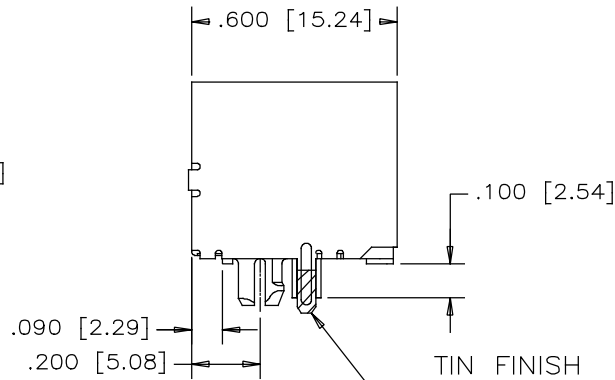


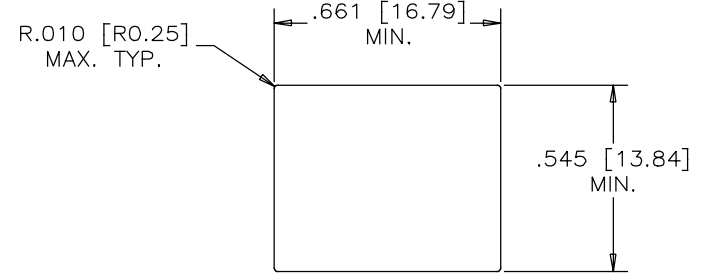
REVISIONS			
REV	DESCRIPTION, ECN, EAR NO.	DATE	APP'D
A	PROPOSAL	MAR08/18	L.CHAN



FRONT VIEW



SIDE VIEW



RECOMMENDED PANEL CUTOUT

**MATERIALS:**

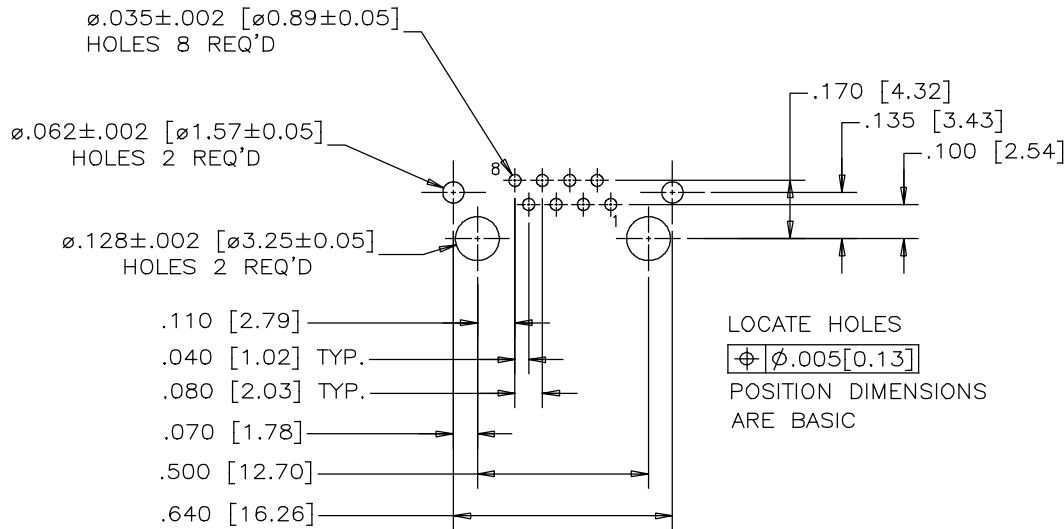
PLASTIC HOUSING: HIGH TEMPERATURE THERMOPLASTIC  
FLAMMABILITY RATING UL 94V-0

**CONTACTS:**

PHOSPHOR BRONZE  
PLATING: GOLD PLATING ON MATING SURFACE.  
[SEE PART NUMBER FOR THICKNESS]  
50 μ" [1.27 MICRONS]  
MIN. NICKEL UNDERPLATE  
100 μ" [2.54 MICRONS]  
MIN. MATTE TIN ON CONTACT TAILS.

**SHIELD:**

STAINLESS STEEL WITH TIN FINISH ON SOLDER TAIL



RECOMMENDED P.C.B. LAYOUT  
(COMPONENT SIDE OF BOARD)

PART NUMBER: RJHSE-XE80

GOLD PLATING  
E=RJ45 FLAT CONTACT 6u"  
G=RJ45 FLAT CONTACT 15u"  
J=RJ45 FLAT CONTACT 30u"  
5=RJ45 FLAT CONTACT 50u"



UNLESS SPECIFIED OTHERWISE	DRAWN	W. QIU	DATE	MAR08/18
PRIMARY UNITS	CHECKED	L. CHAN	DATE	MAR08/18
SECONDARY	M.E. APP'D			
REFERENCE IN PARENTHESES	Q.A. APP'D			
GENERAL TOLERANCES	DWG APPR.			
1 DECIMAL PLACE ±0.025	ENG. REL. NO.			
2 DECIMAL PLACES ±0.020	REF.			
3 DECIMAL PLACES ±0.015	THIRD ANGLE PROJECTION			
ANGULAR DEGREES ±1.0°	DO NOT SCALE DRAWING			

Amphenol Canada Corp. www.amphenolcanada.com	
TITLE HIGH SPEED RJ45 SINGLE-PORT CONNECTOR, WITHOUT LED, SHIELD (OPEN FRONT, WITHOUT TABS) - RoHS COMPLIANT	
DWG. NO.	P-RJHSE-XE80
REV	A
CODE ID NO. 03554	DWG SIZE: C SCALE: N/A SHEET 1 OF 1