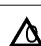
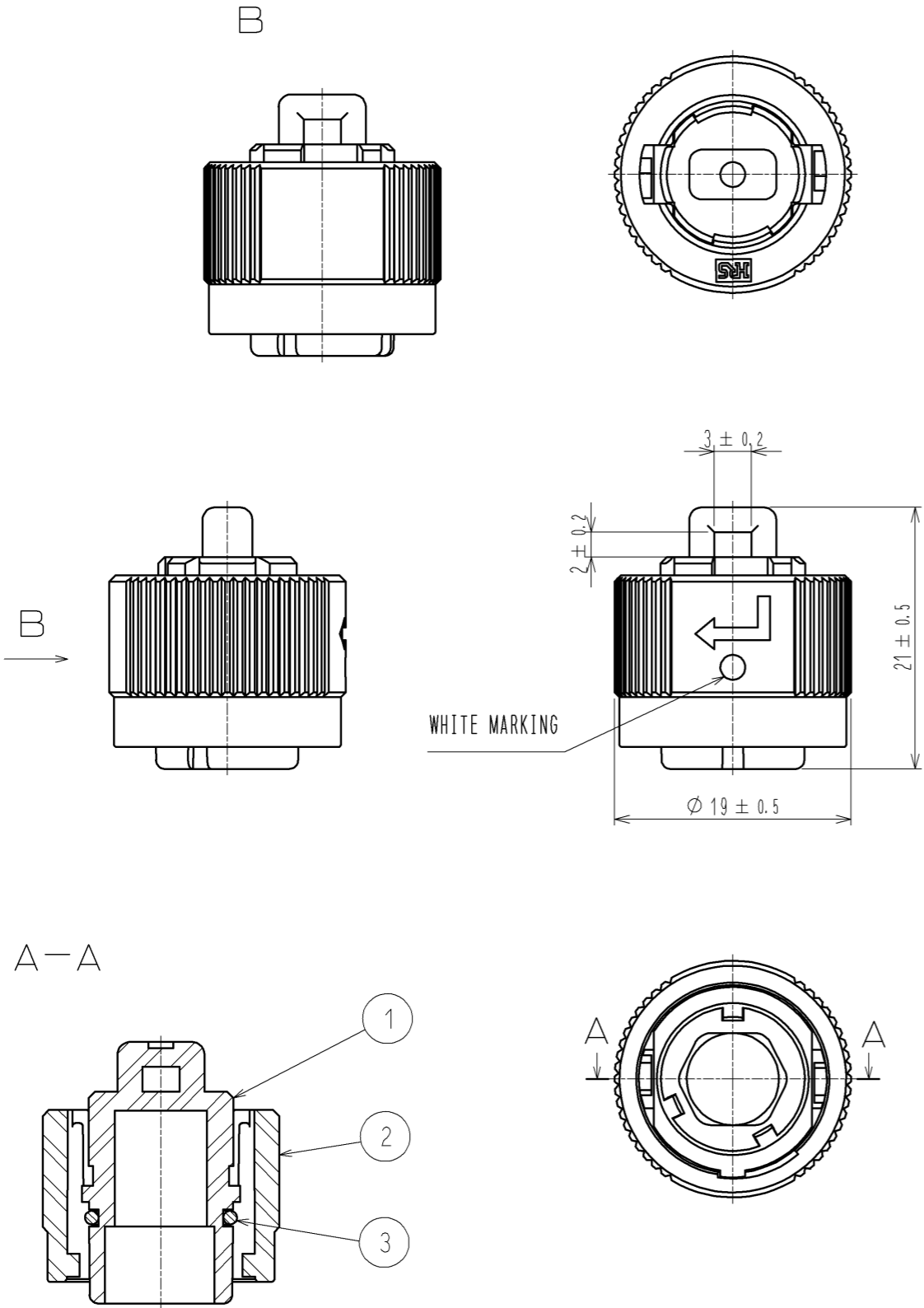
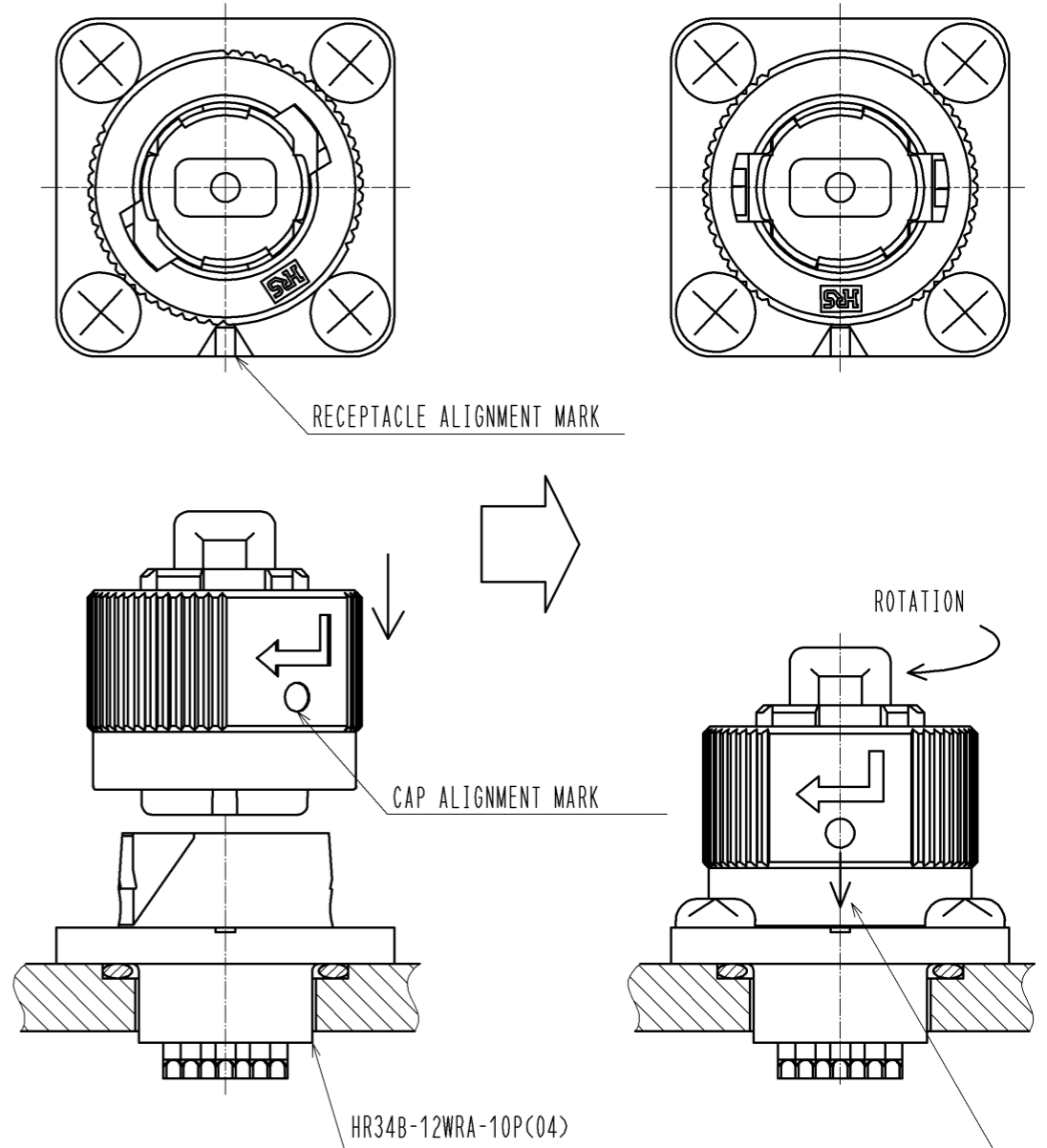


APPLICABLE STANDARD					
RATING	OPERATING TEMPERATURE RANGE	-40 °C TO +110 °C	STORAGE TEMPERATURE RANGE	-10 °C TO +60 °C	
	VOLTAGE	_____	PROTECTION DEGREE	IP67	
	CURRENT	_____	APPLICABLE CABLE	_____	
SPECIFICATIONS					
ITEM	TEST METHOD		REQUIREMENTS	QT	AT
CONSTRUCTION					
GENERAL EXAMINATION	VISUALLY AND BY MEASURING INSTRUMENT.		ACCORDING TO DRAWING.	X	X
MARKING	CONFIRMED VISUALLY.			X	X
MECHANICAL CHARACTERISTICS					
MECHANICAL OPERATION	100 TIMES INSERTIONS AND EXTRACTIONS.		PASS THE SEALING TEST.	X	-
ENVIRONMENTAL CHARACTERISTICS					
SEALING <sup>(1)</sup>	EXPOSED AT A DEPTH OF 1 m FOR 0.5 h.		NO WATER PENETRATION INSIDE CONNECTOR.	X	-
AIRTIGHTNESS <sup>(1)</sup>	APPLY AIR PRESSURE 40 kPa FOR 30 SEC TO INSIDE CONNECTOR.		NO AIR BUBBLES FROM CONNECTOR INTERFACE.	X	-
COUNT	DESCRIPTION OF REVISIONS	DESIGNED	CHECKED	DATE	
0					
REMARK			APPROVED	SU. OBARA	14. 07. 30
(1) SEALING AND AIRTIGHTNESS SHALL BE TESTED UNDER MATED CONDITION WITH AN APPLICABLE CONNECTOR.			CHECKED	EJ. KUNII	14. 07. 30
			DESIGNED	HY. KISHI	14. 07. 30
			DRAWN	HY. KISHI	14. 07. 30
			Unless otherwise specified, refer to JIS C 5402.		
Note QT:Qualification Test AT:Assurance Test X:Applicable Test			DRAWING NO.		ELC4-118786-51
<b>HRS</b>	SPECIFICATION SHEET		PART NO.	HR34B-12WR-C1	
	HIROSE ELECTRIC CO., LTD.		CODE NO.	CL134-3002-8-00	 1/1



HANDLING (MATING)



NOTE 1 LOCK OPERATION IS MANUAL.

CAP ALIGNMENT MARK SHALL BE POSITIONED TO RECEPTACLE ALIGNMENT MARK.

2	PBT	(BLACK) UL94V-0			
1	PBT	(BLACK) UL94V-0	3	SILICONE RUBBER (RED)	
NO.	MATERIAL	FINISH . REMARKS	NO.	MATERIAL	FINISH . REMARKS
UNITS mm		SCALE 2 : 1		DESCRIPTION OF REVISIONS	DESIGNED
<b>HRS</b> HIROSE ELECTRIC CO., LTD.		APPROVED : SU. OBARA	14. 07. 30	DRAWING NO.	EDC3-118786-51
		CHECKED : EJ. KUNII	14. 07. 30	PART NO.	HR34B-12WR-C1
		DESIGNED : HY. KISHI	14. 07. 28	CODE NO.	CL134-3002-8-00
		DRAWN : HY. KISHI	14. 07. 28		