

Technical specification:

Rated voltage: 4pos 5pos
IEC 61076-2-101 250 V 60 V

Current rating: 4 A at 40°C
IEC 61076-2-101

Insulation resistance: >=100 MΩ
IEC 60512

Pollution degree: 3/2
IEC 60664-1

Degree of protection: IP 67, in mated condition
IEC 60529

Temperature range: -30°C ... +130°C
EN 60512-11-10 -40°C
EN 60512-11-4 -40°C ... +130°C
UL 2238 -30°C ... +130°C

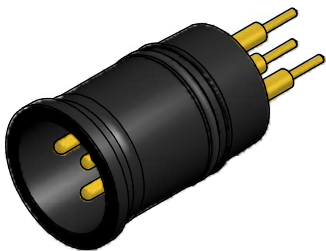
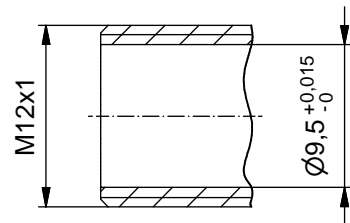
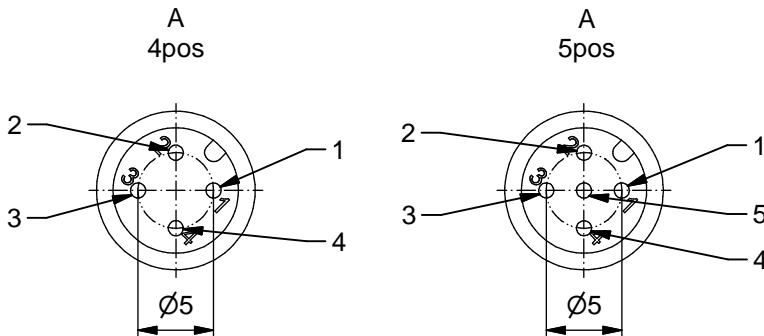
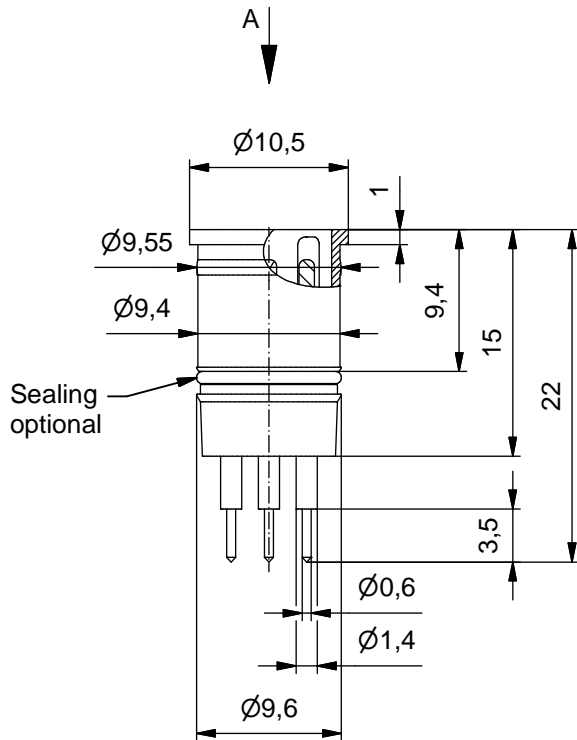
Mating cycles: >=100
IEC 60512-9a

Materials:

Contact: CuZn, Ni b / Au 0,2 gal.

Contact carrier: PA GF, UL 94 V-0 like RAL9005

Sealing: FPM

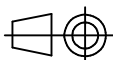


Part no:	Description:	Pos	Construction:
43-01683	SAL - 12 - ES4 - P	4	without sealing
43-01688	SAL - 12 - ES5.1 - P	5	without sealing
43-01699	SAL - 12 - ESO4 - P	4	with sealing
43-01700	SAL - 12 - ESO5.1 - P	5	with sealing

DO NOT ALTER CAD DRAWING BY HAND

RoHS & REACH compliant

Index: d 11.06.15 fro Ä5678
UL adaptation



dim.
in mm



	date	name
drawn	28.09.10	Franz
appd.	28.09.10	Mankopf



title:	Panel plug M12x1 with dip solder
dwg no:	43K1A1196
part no:	

general tolerance: 0 ± 0,50mm
0,0 ± 0,25mm
0,00 ± 0,10mm
* ± 1,5°

THIS DRAWING MAY NOT BE COPIED OR REPRODUCED IN ANY WAY, AND MAY NOT BE PASSED ON TO A THIRD PARTY WITHOUT WRITTEN PERMISSION. OWNERSHIP AND COPYRIGHT OF CONEC GmbH