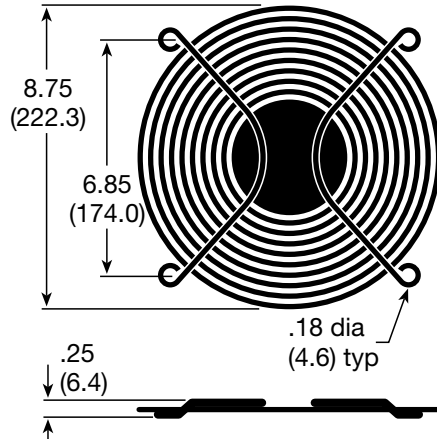


MG-25

For use with 254 mm sq. fans



- Bright nickel chrome plated
- Meets UL 0.25 inch maximum spacing plug gage test
- Weld joints to withstand minimum of 220 lbs. separation force

