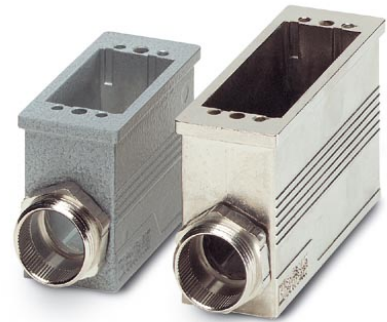


VC-MEMV-S2

Order No.: 1884652

The illustration shows versions, powder-coated and EMC-coated box mounting base



<http://eshop.phoenixcontact.de/phoenix/treeViewClick.do?UID=1884652>

Box mounting base, made of metal, EMC-coated type 2, number of modules 3, cable screw connection Pg21

| Commercial data | |
|--------------------------|--------------------|
| EAN | 4017918164683 |
| Pack | 5 pcs. |
| Customs tariff | 85369010 |
| Weight/Piece | 0.45565 KG |
| Catalog page information | Page 371 (PC-2009) |

Product notes

WEEE/RoHS-compliant since:
11/08/2006



<http://www.download.phoenixcontact.com>
Please note that the data given here has been taken from the online catalog. For comprehensive information and data, please refer to the user documentation. The General Terms and Conditions of Use apply to Internet downloads.

Technical data

General characteristics

| | |
|------------------------------|---|
| Note | When using fiber optics, the bending radii of the cable manufacturers must be observed. |
| Design | VC2 |
| Degree of protection | IP65/IP66/IP67 |
| Type of the screw connection | Pg21 |
| Pg screw connection | None |

| | |
|---------------------------------|-------------------|
| Height | 55 mm |
| Number of module slots | 3 |
| Housing material | Zinc die-cast |
| Housing surface material | Nickel-plated |
| Seal material | EPDM, conductive |
| Ambient temperature (operation) | -40 °C ... 125 °C |

Certificates / Approvals



Certification

GOST

Accessories

| Item | Designation | Description |
|----------------|---------------------------|--|
| General | | |
| 1885619 | VC-M-KV-PG21 1X6/2X9 | Multiple screw connection Pg21, made of metal, consisting of rubber seal with several holes (1 x 6 mm/2 x 9 mm) and a pressure screw, for cable screw connection support VC-M-KV-PG21... |
| 1885635 | VC-M-KV-PG21 2X6/2X8 | Multiple screw connection Pg21, made of metal, consisting of rubber seal with several holes (2 x 6 mm/2 x 8 mm) and a pressure screw, for cable screw connection support VC-M-KV-PG21... |
| 1885648 | VC-M-KV-PG21 2X7,2/1X10,5 | Multiple screw connection Pg21, made of metal, consisting of rubber seal with several holes (2 x 7.2 mm/1 x 10.5 mm) and a pressure screw, for cable screw connection thread VC-M-KV-PG21... |
| 1885651 | VC-M-KV-PG21 3X7 | Multiple screw connection Pg21, made of metal, consisting of rubber seal with several holes (3 x 7 mm) and a pressure screw, for cable screw connection thread VC-M-KV-PG21... |
| 1885664 | VC-M-KV-PG21 3X9 | Multiple screw connection Pg21, made of metal, consisting of rubber seal with several holes (3 x 8 mm) and a pressure screw, for cable screw connection support VC-M-KV-PG21... |
| 1885677 | VC-M-KV-PG21 4X6,5 | Multiple screw connection Pg21, made of metal, consisting of rubber seal with several holes (4 x 6.5 mm) and a pressure screw, for cable screw connection support VC-M-KV-PG21... |
| 1885680 | VC-M-KV-PG21 4X8 | Multiple screw connection Pg21, made of metal, consisting of rubber seal with several holes (4 x 8 mm) and a pressure screw, for cable screw connection support VC-M-KV-PG21... |

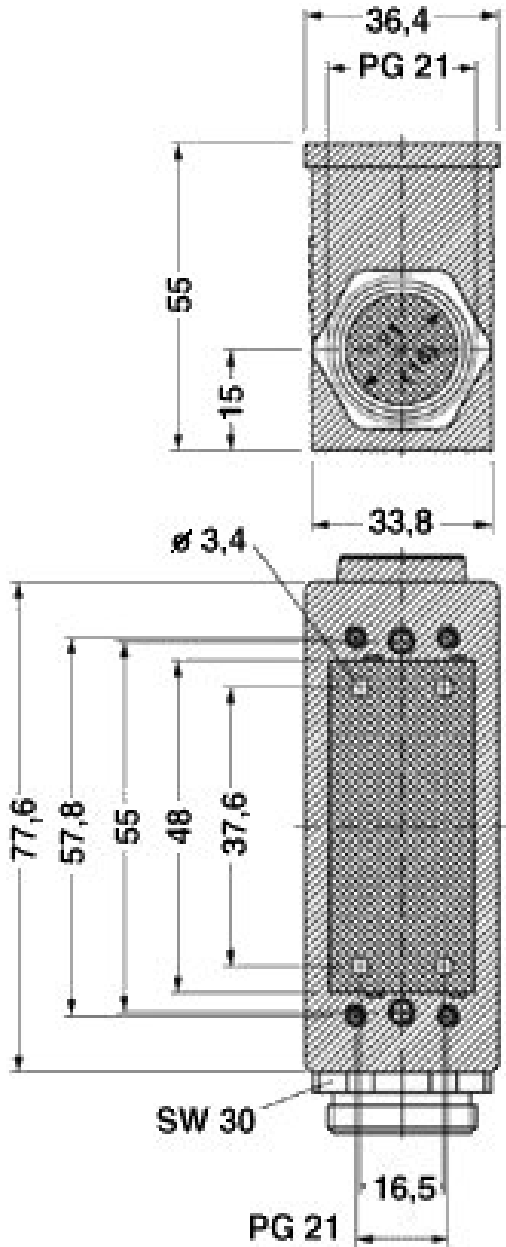
| | | |
|---------|--------------------------|---|
| 1853997 | VC-M-KV-PG21(7-10,5) | Half screw connection Pg21, made of metal, consisting of rubber seal with one hole and one pressure screw, for type 2 - 4 housings, cable [mm] 7 - 10.5 |
| 1854006 | VC-M-KV-PG21(9-13) | Half screw connection Pg21, made of metal, consisting of rubber seal with one hole and one pressure screw, for type 2 - 4 housings, cable [mm] 9 - 13 |
| 1854035 | VC-M-KV-PG21(11,5-15,5) | Half screw connection Pg21, made of metal, consisting of rubber seal with one hole and one pressure screw, for type 2 - 4 housings, cable [mm] 11.5 - 13.5 |
| 1854048 | VC-M-KV-PG21(14-18) | Half screw connection Pg21, made of metal, consisting of rubber seal with one hole and one pressure screw, for type 2 - 4 housings, cable [mm] 14 - 18 |
| 1854051 | VC-M-KV-PG21(17-20,5) | Half screw connection Pg21, made of metal, consisting of rubber seal with one hole and one pressure screw, for type 2 - 4 housings, cable [mm] 17 - 20.5 |
| 1885305 | VC-M-KV-PG21(20X 7) | Single screw connection PG21, made of metal, consisting of rubber seal with a long hole and pressure screw, for type 2-4 housings, cable [mm] 20 x 7 mm (for flat-ribbon cable) |
| 1854970 | VC-M-KV-PG21- 1X8,5/1X12 | Half screw connection Pg21, made of metal, consisting of rubber seal with several holes (1 x 8.5 mm/1 x 12 mm) and one pressure screw, for type 2 - 4 housings |

Marking

| | | |
|---------|-----------|--|
| 1852875 | VC-BZS WH | Marker labels, unprinted, 5-section, for individual labeling with M-PEN or CMS system, white |
|---------|-----------|--|

Diagrams/Drawings

Dimensioned drawing



Address

PHOENIX CONTACT Deutschland GmbH
Flachmarktstr. 8
32825 Blomberg, Germany
Phone +49 5235 3 12000
Fax +49 5235 3 41200
<http://www.phoenixcontact.de>



© 2010 Phoenix Contact
Technical modifications reserved;