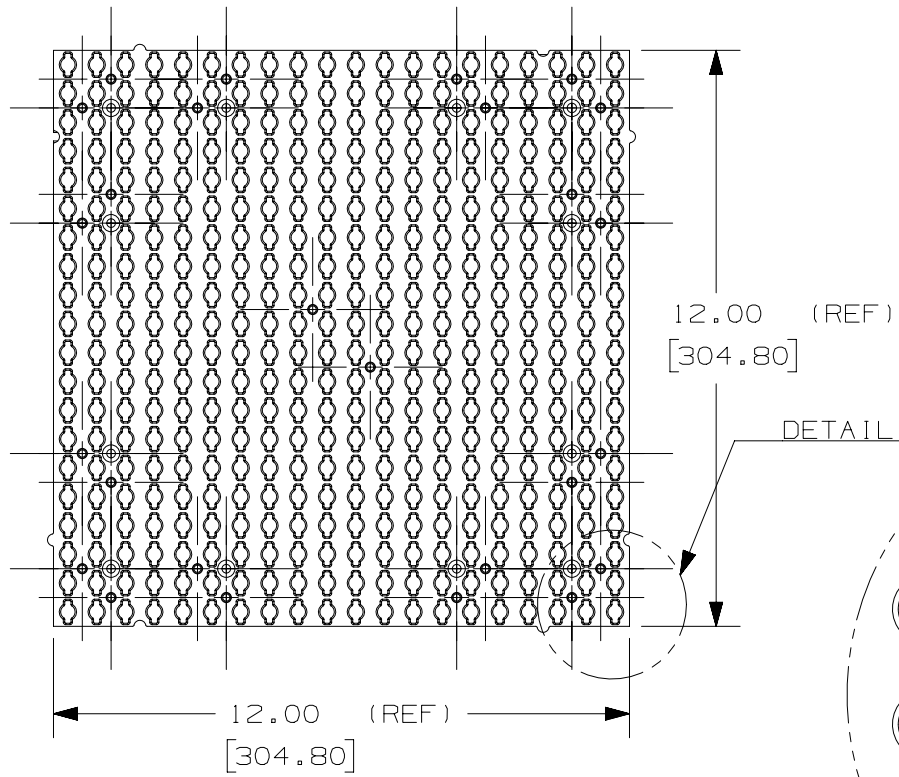
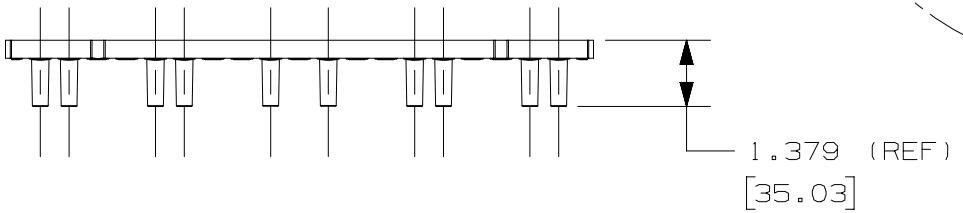
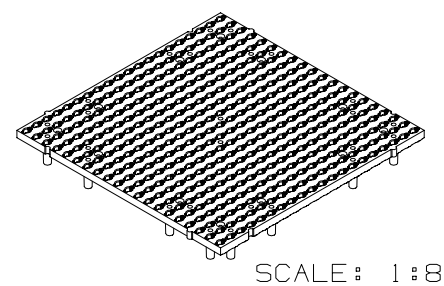
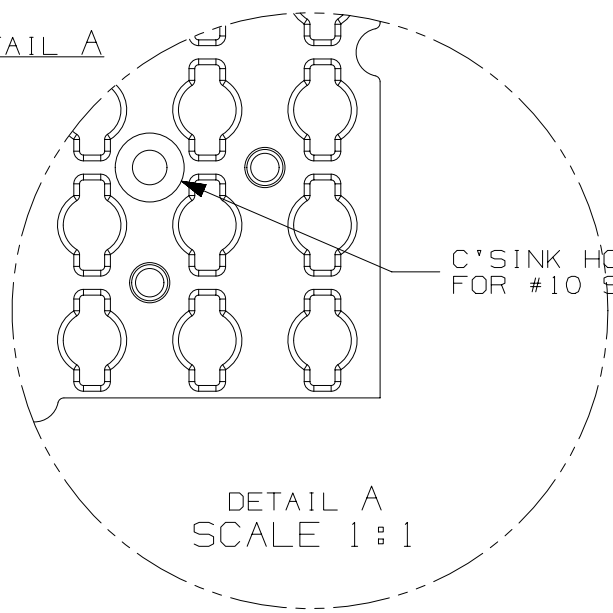


THIS COPY IS PROVIDED ON A RESTRICTED BASIS AND IS NOT TO BE USED IN ANY WAY DETRIMENTAL TO THE INTERESTS OF PANDUIT CORP.



NOTES:

1. DIMENSIONS IN BRACKETS [] ARE METRIC [mm].
2. COLOR: BLACK
3. PRODUCT DESIGNED TO SUPPORT A MAXIMUM STATIC LOAD OF 5 LBS WITH COMPATIBLE PARTS.
4. PRODUCT IS RATED FOR ENVIRONMENTAL CONDITIONS OF 40-100°F IN ALL HUMIDITY RANGES.
5. FOR INSTALLATION INTO PLYWOOD, #8 OR #10 COARSE THREAD FLAT HEAD WOOD SCREWS WITH A MIN LENGTH OF 1.75" ARE RECOMMENDED.



TITLE		QUICK-BUILD GRID TILE; 1' X 1'; 8 PER PACKAGE (QB-TILE)			CUSTOMER DRAWING	
ITEM REVISION NAME		13L179EK/09			PANDUIT	
DATASET FILE NAME		13L179EK_DC/09				
UNLESS OTHERWISE SPECIFIED, DIMENSIONAL TOLERANCES ARE: IN [mm]					MATERIAL:	
.x ± .1 [2.54]		.xxx ± .005 [.127]			ABS	
.xx ± .01 [.25]		ANGLES ± 5 °			DRAWING NUMBER:	
		THIRD ANGLE PROJECTION			13L179EK-DC	
DRAWN BY	DATE	CHK	SCALE	SHT 1 OF 1		SIZE
ANF	06-10-2015		1:4			A

00	6/10/15	ANF	DJW	MSAD	DRAWING RELEASED	GAECN02965
REV	DATE	BY	CHK	APR	DESCRIPTION	ECN