

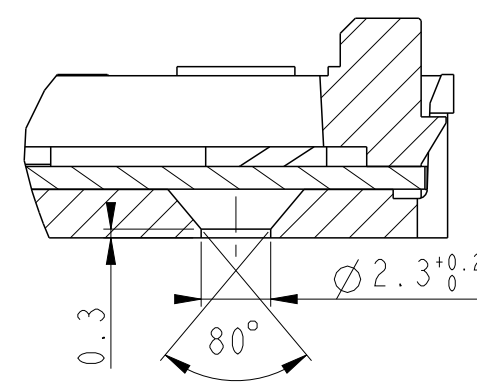
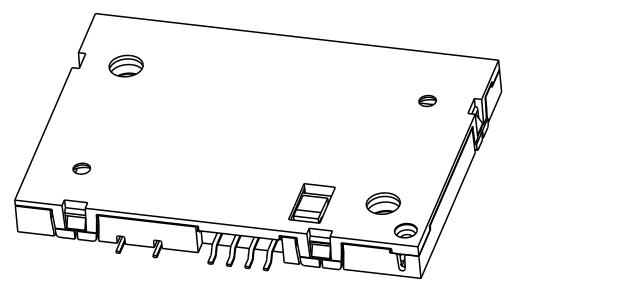
PART NUMBER	LEAD FREE VERSION	PACKAGING
7312E0225S01	7312E0225S01LF	Std Tray
7512E0225S01	7512E0225S01LF	Antistatic Tray
7712E0225S01	7712E0225S01LF	Small qty tray

A

B

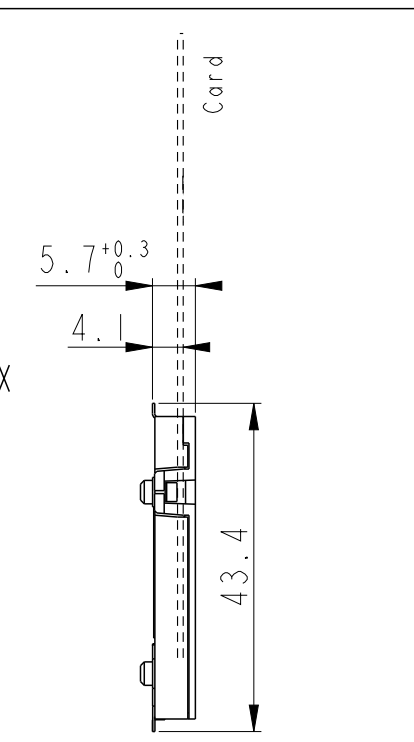
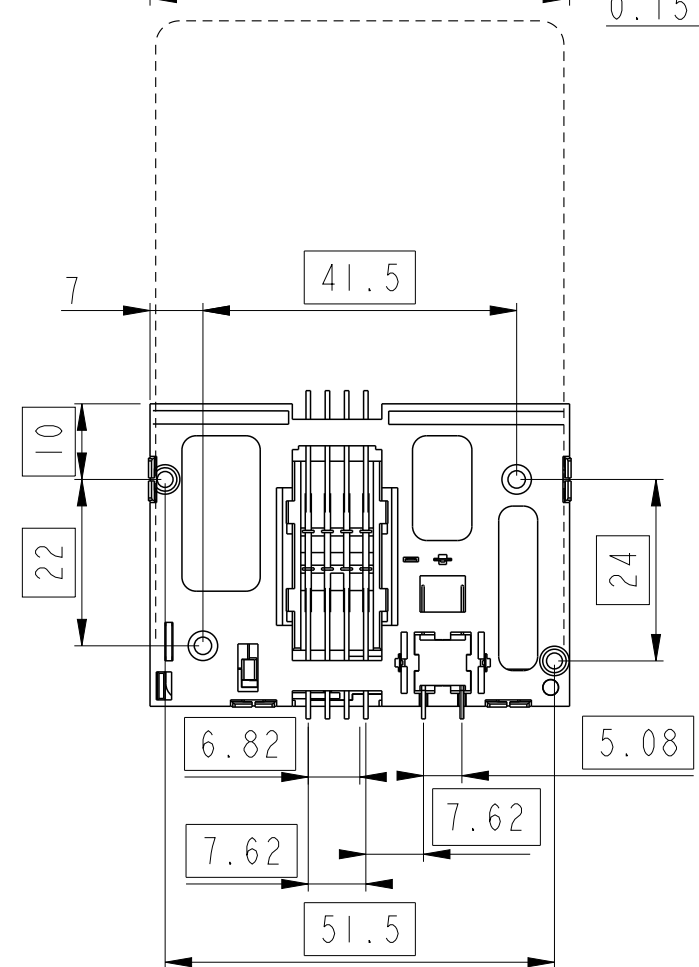
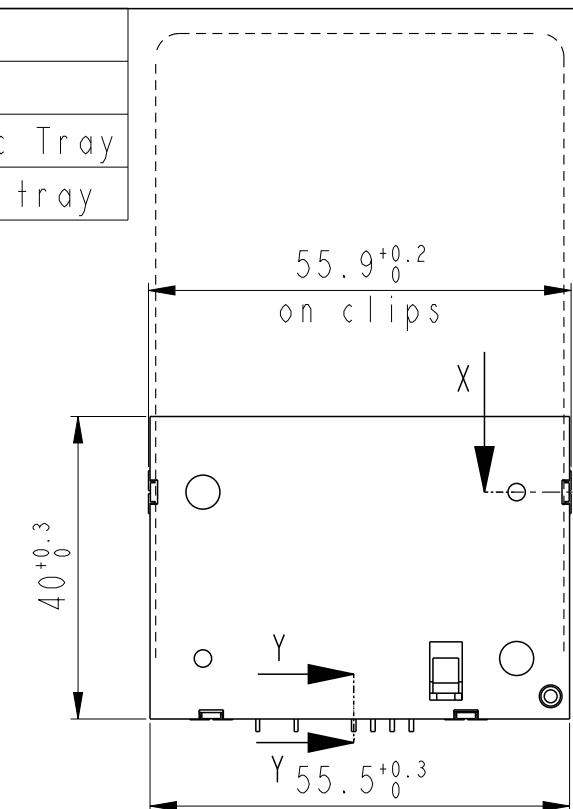
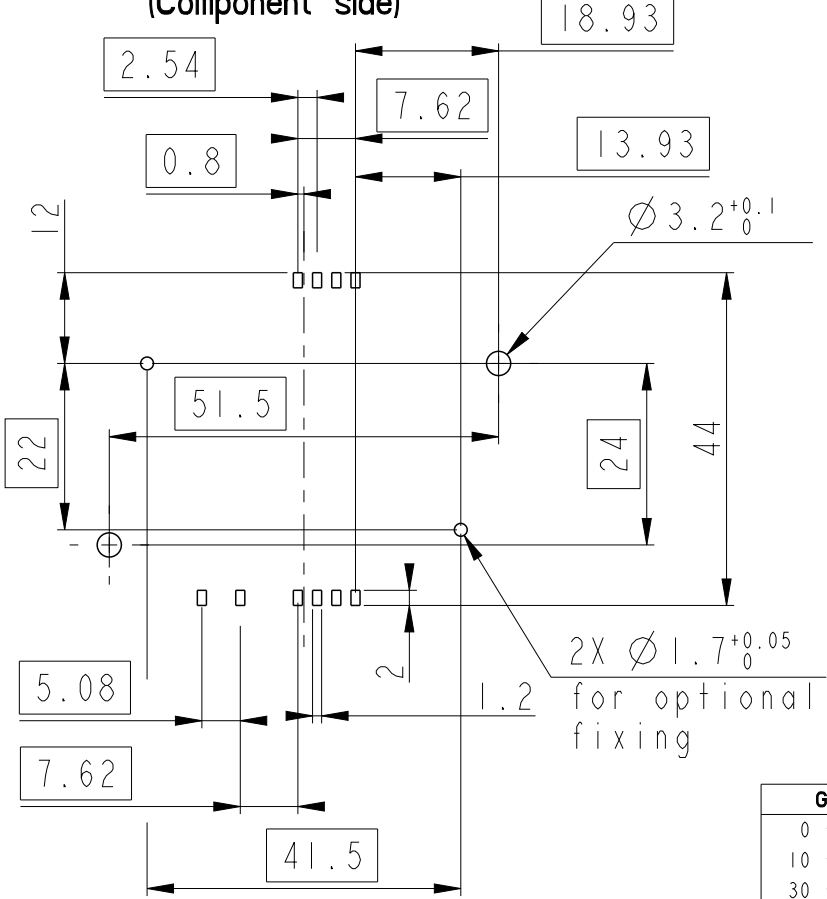
C

D



SECTION X-X
SCALE 4:1

**Recommended PCB Layout
(Component side)**



SECTION Y-Y
SCALE 4:1

LEAD FREE VERSION:
"This product meets European Union Directives and other country regulations as described in GS-47-0004"
The housing will withstand exposure to 260°C peak temperature for 10seconds in a convection reflow oven.

GENERAL :
High cycle life duration smart card connector with landing type contacts mechanism. The landing type connector also provides the feature of recessed contacts when card is not inserted which protects them against vandalism.
Smart card for reference purposes only.

ELECTRICAL PROPERTIES:
Insulation resistance : > 1000MΩ
Dielectric withstanding voltage : >750 Vrms
Current carrying capacity : Min 10μA, Max 1A
Contact resistance : < 100mΩ

MECHANICAL PROPERTIES :
Operating force : Insertion : F < 10N
Withdrawal : 1 < F < 10N
Contact Normal force : 0.2 < F < 0.3 for 0.6mm of deflection
Durability : 200,000 mating cycles

MATERIAL :
Head reader : High temp. Thermoplastic, Black, Rated UL94V0
Cover : SEE TABLE, Rated UL94V0
Contacts : Copper alloy,
Plating : Nickel min. all over
Gold/Equivalent PdNi on contact area
Matte tin min. on solder tails

ENVIRONMENT :
Operating temperature : -40°C / +85°C
Climatic conditions : UTE 93-421

PACKAGING :
Plastic cavity tray



Copyright FCI.

spec ref	--	dr	P-Mathew Nebu	2011/05/04	projection	mm	size	A3	scale	1:1
tolerance std	ISO 406 ISO 1101	eng	P-Mathew Nebu	2014/03/03			ecn no	ELX-15846-1	rel level	Released
TOLERANCES UNLESS OTHERWISE SPECIFIED		chr	-	2014/03/03						
General Tolerances	surface ✓	appr	K-Paul Bijju		cat. no.	See Table	Product - Customer Drw	sheet 1 of 1		
0 to 10mm: ±0.1mm 10 to 30mm: ±0.15mm 30 to 60mm: ±0.2mm 60 and more: ±0.3mm	linear	0.X	±		E02 SMART CARD SMT VERSION WITH PEG	www.fci.com	title E02 SMART CARD SMT VERSION WITH PEG	dwg no VJW54003	rev G	angular 0° ±°
		0.XX	±							
		0.XXX	±							