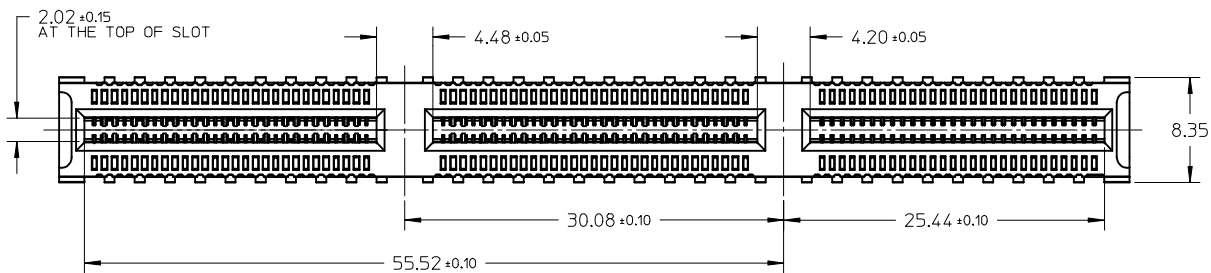
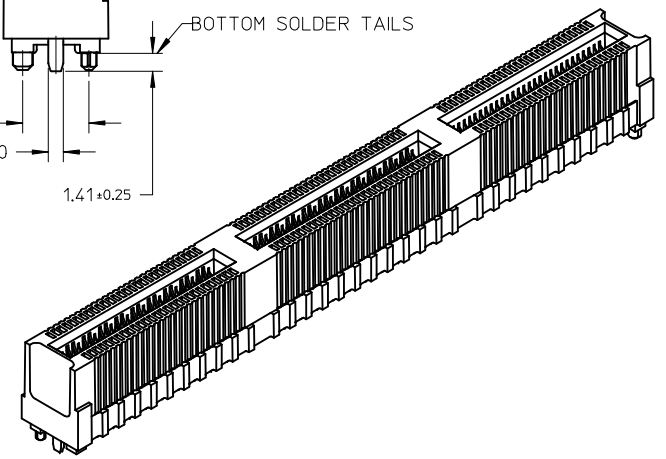
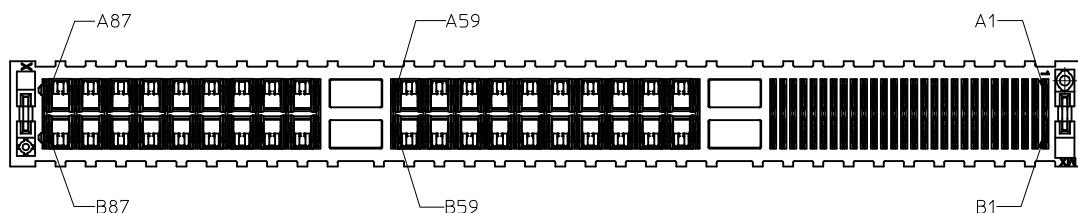
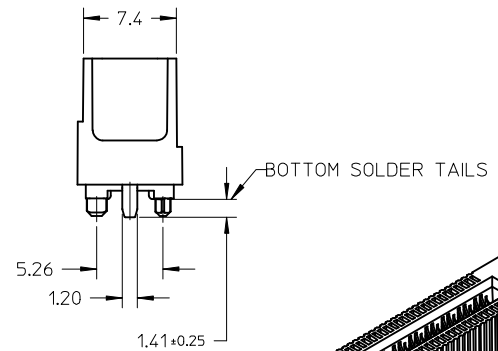
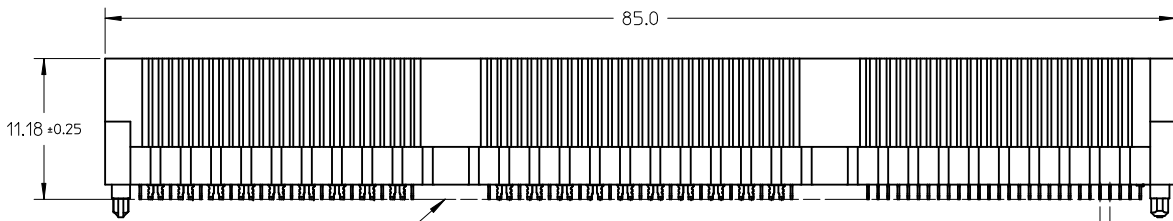


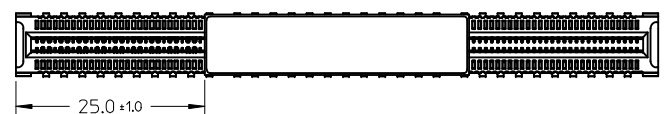
10 9 8 7 6 5 4 3 2 1



MATERIAL NUMBER	PACKAGING SPECIFICATION
151214-2174	PK-151214-0001 (TUBE)
151214-1174	PK-151214-0002 (TRAY)



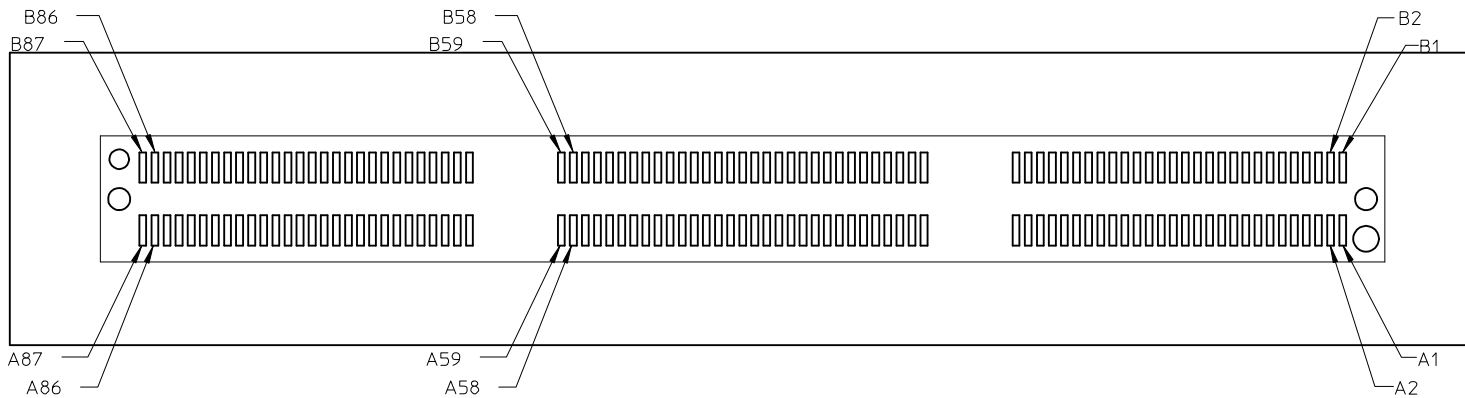
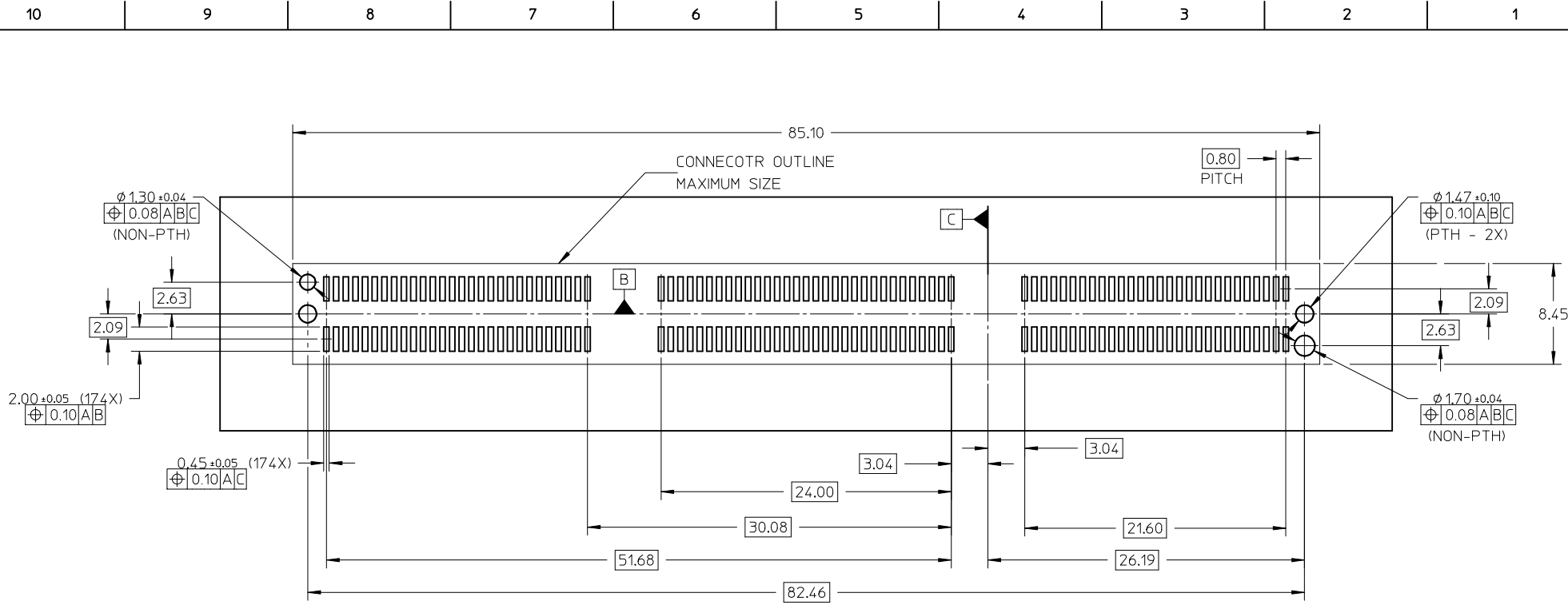
PICK AND PLACE CAP POSITION



- NOTES:
- MATERIALS:  
HOUSING - LIQUID CRYSTAL POLYMER, GLASS FILLED, 94-V0, COLOR: BLACK  
TERMINALS - COPPER ALLOY
  - FINISH:  
CONTACT AREA: SELECTIVE GOLD 0.76 MICROMETER MINIMUM  
SOLDER TAIL: 2.54 MICROMETER MINIMUM TIN (MATTE)  
UNDERPLATE: 1.27 MICROMETER MINIMUM NICKEL ALL OVER
  - PRODUCT SPECIFICATION: PS-151214-0001.
  - PACKAGING SPECIFICATION: SEE TABLE.
  - APPLICATION SPECIFICATION: AS-151214-0001.
  - MATING PC BOARD THICKNESS = 1.60±0.16mm OVER CONTACT PADS.
  - PRODUCT IS ELV AND ROHS COMPLIANT. LEVEL OF COMPLIANCE:6/7  
ALL LEADED SUBSTANCES ARE REMOVED:  
Pb (LEAD)  
HEXAVALENT CHROMIUM (CrVI)  
CADMIUM  
MERCURY  
POLYBROMINATED BIPHENYL (PBB)  
POLYBROMINATED DIPHENYL ETHER (PBDE)
  - THIS PART CONFORMS TO CLASS B REQUIREMENTS OF COSMETIC SPEC PS-45499-002.
  - COPLANARITY OF SOLDER TAIL SHALL NOT EXCEED 0.10MM.

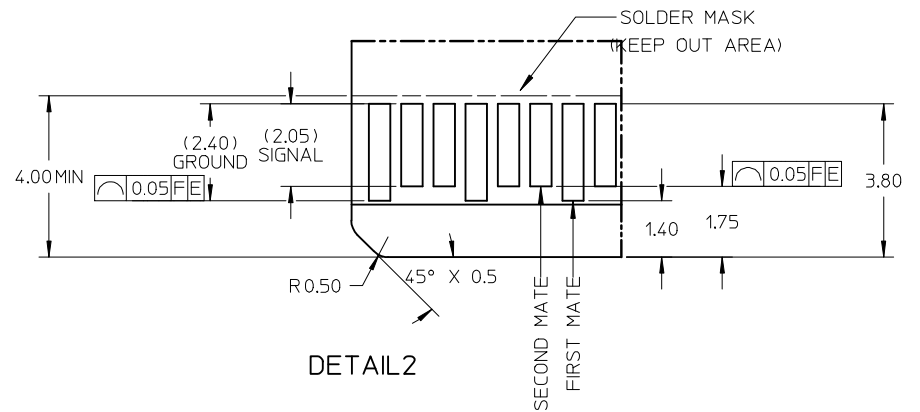
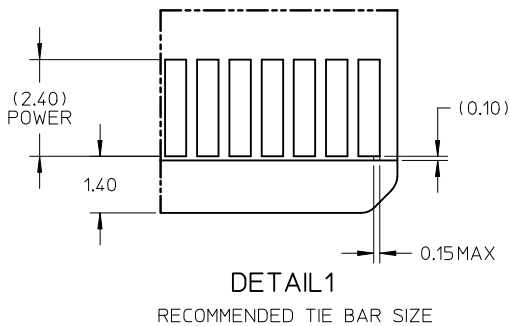
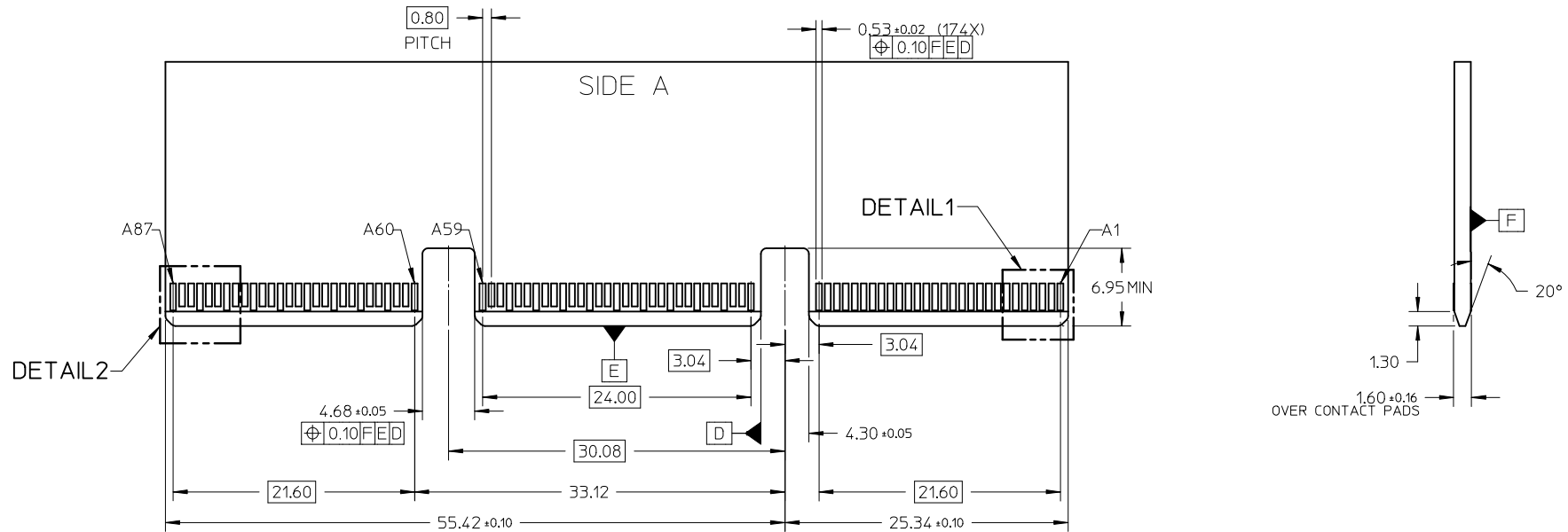
<b>REV. KEY THICKNESS</b> EC NO: S2017-0346 DRW: CCTEH 2016/12/08 CHKD: VMANICKAM 2016/12/29 APPR: SHLENI 2016/12/29	QUALITY SYMBOLS $F_A=0$ $F_C=0$ $F_P=0$	GENERAL TOLERANCES (UNLESS SPECIFIED)		DIMENSION STYLE <b>MM ONLY</b>	SCALE NTS	DESIGN UNITS METRIC	THIRD ANGLE PROJECTION		
		4 PLACES ± --- ± --- 3 PLACES ± --- ± --- 2 PLACES ± 0.13 ± --- 1 PLACE ± 0.25 ± --- 0 PLACE ± --- ± ---	mm      INCH	DRAWN BY CCTEH	DATE 2016/06/28	TITLE EDGELINE25 174CKTS .062" PCB 0.8MM PITCH SALES DRAWING			
		ANGULAR ± 1 °		CHECKED BY CGTAN	DATE 2016/06/28	<b>molex</b>			
		DRAFT WHERE APPLICABLE MUST REMAIN WITHIN DIMENSIONS		APPROVED BY SHLENI	DATE 2016/10/18				
THIS DRAWING CONTAINS INFORMATION THAT IS PROPRIETARY TO MOLEX INCORPORATED AND SHOULD NOT BE USED WITHOUT WRITTEN PERMISSION									

9 8 7 6 5 4 3 2 1



FOOT PRINT NOTES:  
1. DATUM -A- IS THE TOP OF PCB

<b>REV. KEY THICKNESS</b> EC NO: S2017-0346 DRW: CCTEH 2016/12/08 CHKD: VMANICKAM 2016/12/29 APPR: SHLENI 2016/12/29	<b>QUALITY SYMBOLS</b> $F_A=0$ $F_G=0$ $F_P=0$	<b>GENERAL TOLERANCES (UNLESS SPECIFIED)</b>		<b>DIMENSION STYLE</b> MM ONLY	<b>SCALE</b> NTS	<b>DESIGN UNITS</b> METRIC	THIRD ANGLE PROJECTION		
		mm	INCH	DRAWN BY CCTEH	DATE 2016/06/28	<b>TITLE</b> EDGELINE25 174CKTS .062" PCB 0.8MM PITCH SALES DRAWING			
		4 PLACES	± ---	± ---	CHECKED BY CGTAN	DATE 2016/06/28			
		3 PLACES	± ---	± ---	APPROVED BY SHLENI	DATE 2016/10/18			
2 PLACES	± 0.13	± ---	<b>SEE TABLE</b>		MATERIAL NO.	DOCUMENT NO. SD-151214-2174	SHEET NO. 2 OF 3		
1 PLACE	± 0.25	± ---	DRAFT WHERE APPLICABLE MUST REMAIN WITHIN DIMENSIONS		THIS DRAWING CONTAINS INFORMATION THAT IS PROPRIETARY TO MOLEX INCORPORATED AND SHOULD NOT BE USED WITHOUT WRITTEN PERMISSION				
0 PLACE	± ---	± ---							



NOTE:  
 1. THESE ARE GENERIC DETAILS THAT DESCRIBES THE CONFIGURATION OF VARIOUS PCB DESIGN ELEMENTS. THE CUSTOMER MUST DETERMINE WHERE AND WHEN TO USE EACH ELEMENT TO ACCOMODATE THEIR SPECIFIC APPLICATION.  
 2. CHAMFER ROUGHNESS NOT TO EXCEED 3.174m.  
 3. EDGE CARD CHAMFER NOT TO GO THRU GOLD PAD.

<b>REV. KEY THICKNESS</b> EC NO: S2017-0346 DRW: CCTEH 2016/12/08 CHKD: VMANICKAM 2016/12/29 APPR: SHLENI 2016/12/29	QUALITY SYMBOLS $F_A=0$ $F_G=0$ $F_P=0$	GENERAL TOLERANCES (UNLESS SPECIFIED)		DIMENSION STYLE <b>MM ONLY</b>		SCALE NTS	DESIGN UNITS METRIC	THIRD ANGLE PROJECTION		
			mm	INCH	DRAWN BY	DATE	TITLE			
		4 PLACES	± ---	± ---	CCTEH	2016/06/28	EDGELINE25 174CKTS .062" PCB 0.8MM PITCH SALES DRAWING			
		3 PLACES	± ---	± ---	CHEKED BY	DATE				
2 PLACES	± 0.13	± ---	CGTAN	2016/06/28	<b>molex</b>					
1 PLACE	± 0.25	± ---	APPROVED BY	DATE						
0 PLACE	± ---	± ---	SHLENI	2016/10/18	MATERIAL NO.		DOCUMENT NO.		SHEET NO.	
DRAFT WHERE APPLICABLE MUST REMAIN WITHIN DIMENSIONS				SEE TABLE		SD-151214-2174		3 OF 3		
THIS DRAWING CONTAINS INFORMATION THAT IS PROPRIETARY TO MOLEX INCORPORATED AND SHOULD NOT BE USED WITHOUT WRITTEN PERMISSION										