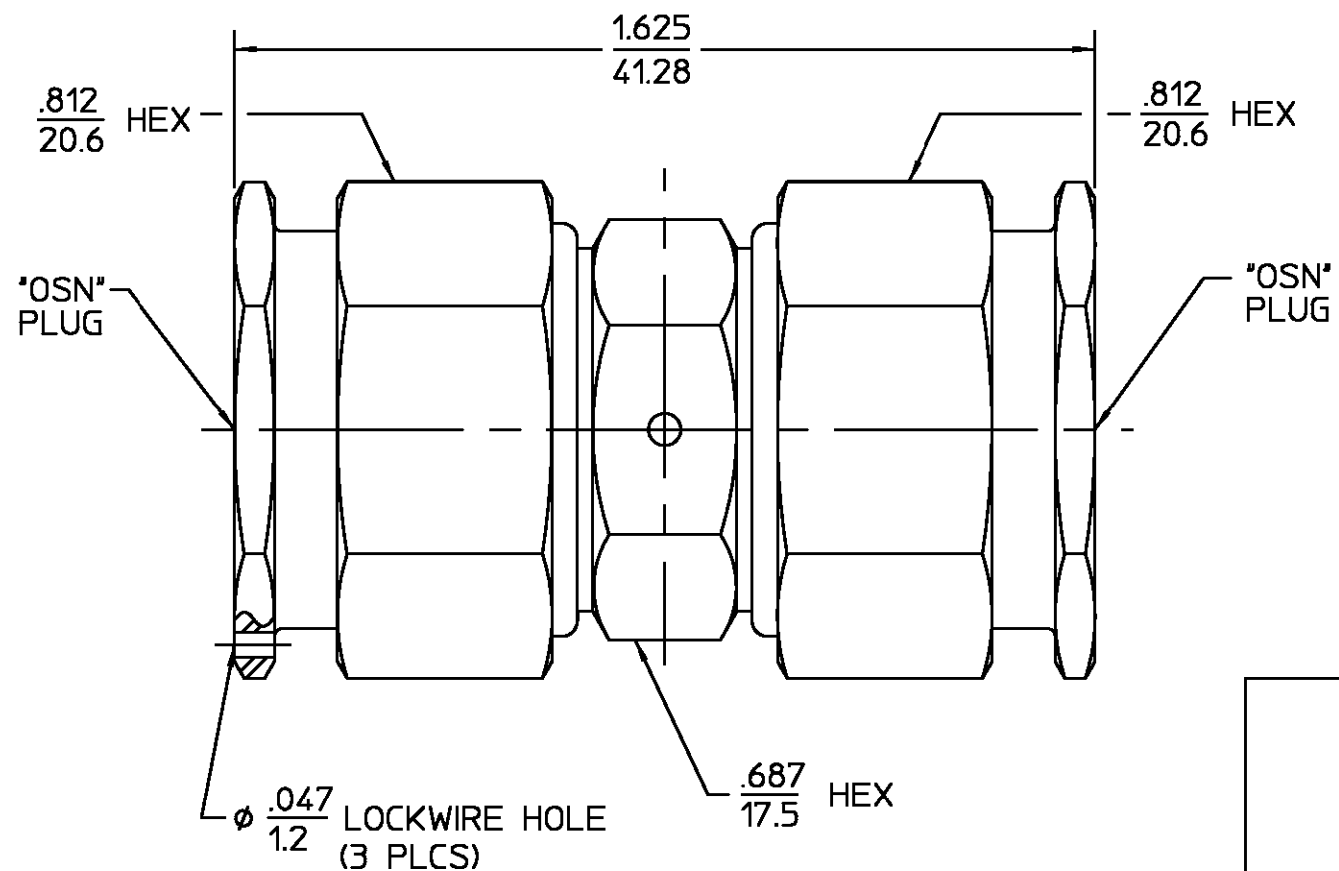


REVISIONS			
REV	DESCRIPTION	DATE	APPROVED
01 ₁	REVISED	K.LE 2-26-97	DPG 3/7/97
B	PER EC 0U20-0692-00	9/27/01	C. Hoang 9/27/01



HOUSING COUPLING NUT	STAINLESS STEEL PER ASTM-A484 AND ASTM-A582, TYPE 303	PASSIVATE PER QQ-P-35
DIELECTRIC	TFE FLUOROCARBON PER ASTM-D-1457	N/A
CENTER CONTACT	BRASS PER ASTM-B-16, HALF HARD	GOLD PLATE PER MIL-G-45204
RETAINING RING	PHOSPHOR BRONZE PER QQ-B-750, GRADE B2	N/A
GASKET	SILICONE RUBBER PER ZZ-R-765	N/A

COMPONENT	MATERIAL	FINISH
-----------	----------	--------

UNLESS OTHERWISE SPECIFIED DIMENSIONS ARE IN INCHES	DRAWN BY	DATE	AMP Incorporated 140 Fourth Avenue Waltham, MA 02451-7599
	D. CAM	5-17-79	
	CHECKED BY	PH	
FRAC. ± 1/64	DEC. ± .005	ANGLES ± 1°	APPD BY GH 6-5-79

These drawings and specifications are the property of M/A COM Interconnect Div. and shall not be reproduced or copied or used in whole or in part as the basis for the manufacture or sale of item(s) without written permission.	USE ASSY PROCEDURE	TITLE "OSN" HI-FREQ PLUG TO "OSN" PLUG ADAPTER	
	NO. A.P. N/A	SIZE B	CODE IDENT NO. 26805
		SCALE 3:1	3681-0000-02
			SHEET 1 OF 1

.XXX = in
XX.X = mm (REF)