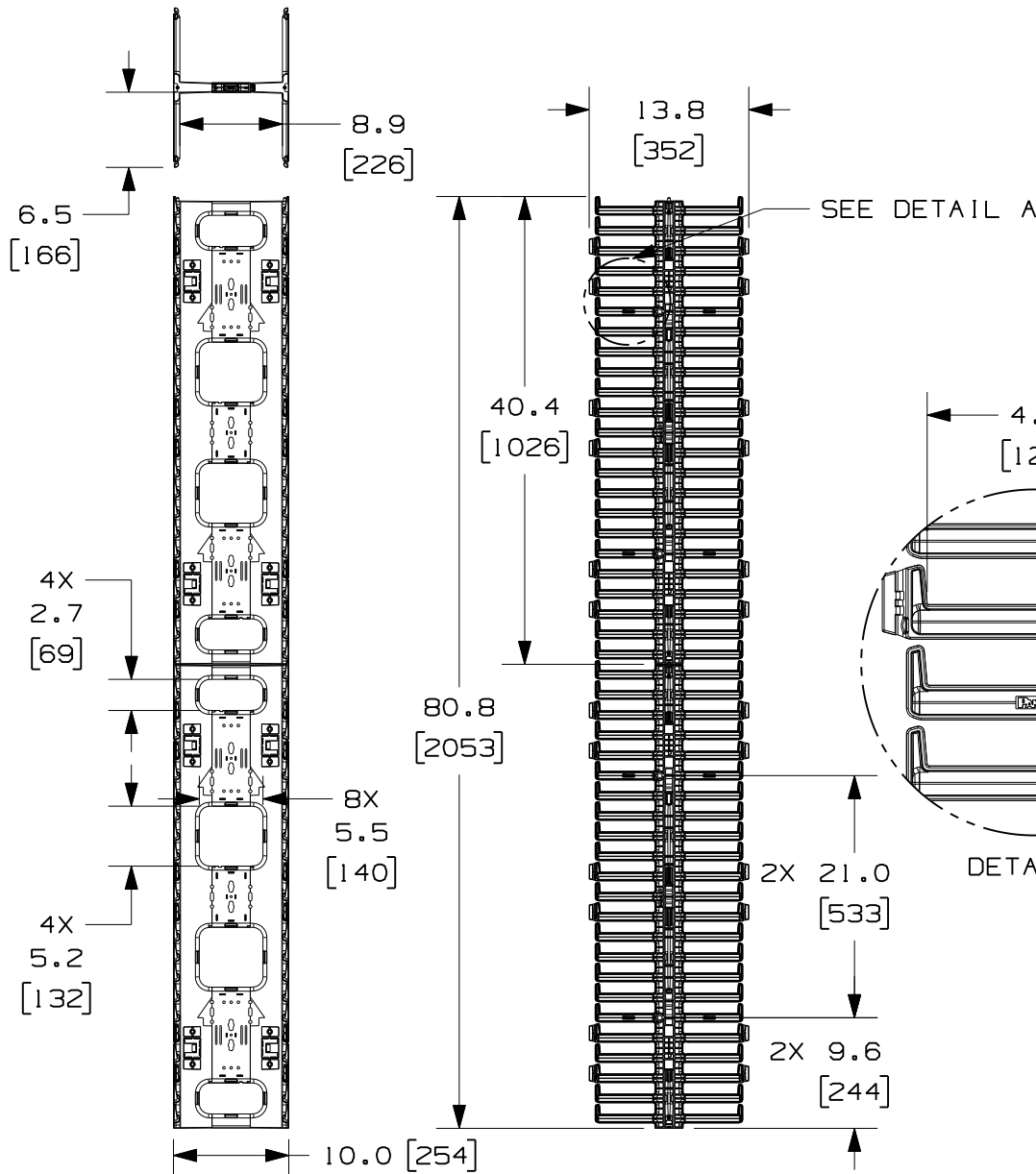


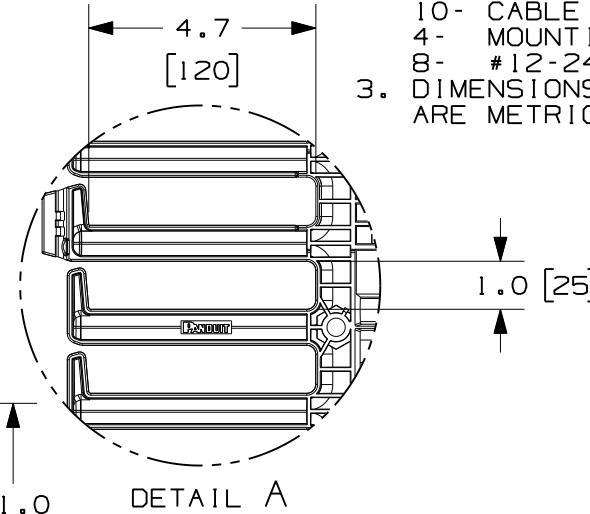
THIS COPY IS PROVIDED ON A RESTRICTED BASIS AND IS NOT TO BE USED IN ANY WAY DETRIMENTAL TO THE INTERESTS OF PANDUIT CORP.



PANDUIT P/N	WEIGHT
NRV10	18.7 LBS/EACH 8.50 Kg/EACH

NOTES:

- VISIT OUR ON-LINE CATALOG AT WWW.PANDUIT.COM FOR A CURRENT LIST OF PRODUCTS APPLICABLE FOR USE WITH THIS PART.
- COMPONENTS:
2- 22.5RU CABLE MANAGEMENT SECTIONS
10- CABLE RETAINERS
4- MOUNTING BRACKETS
8- #12-24 X 1/2" SCREWS
- DIMENSIONS IN PARENTHESIS ARE METRIC.

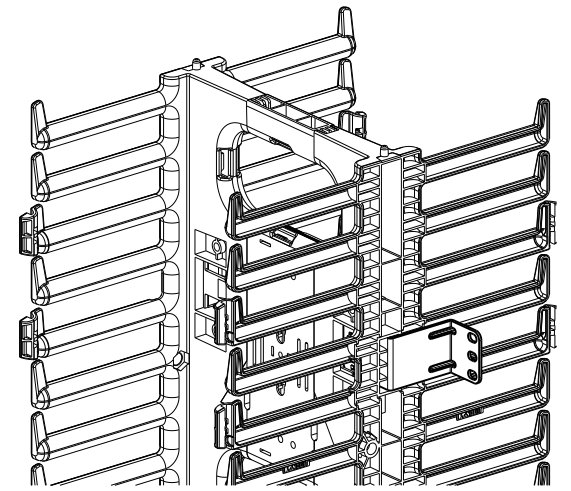
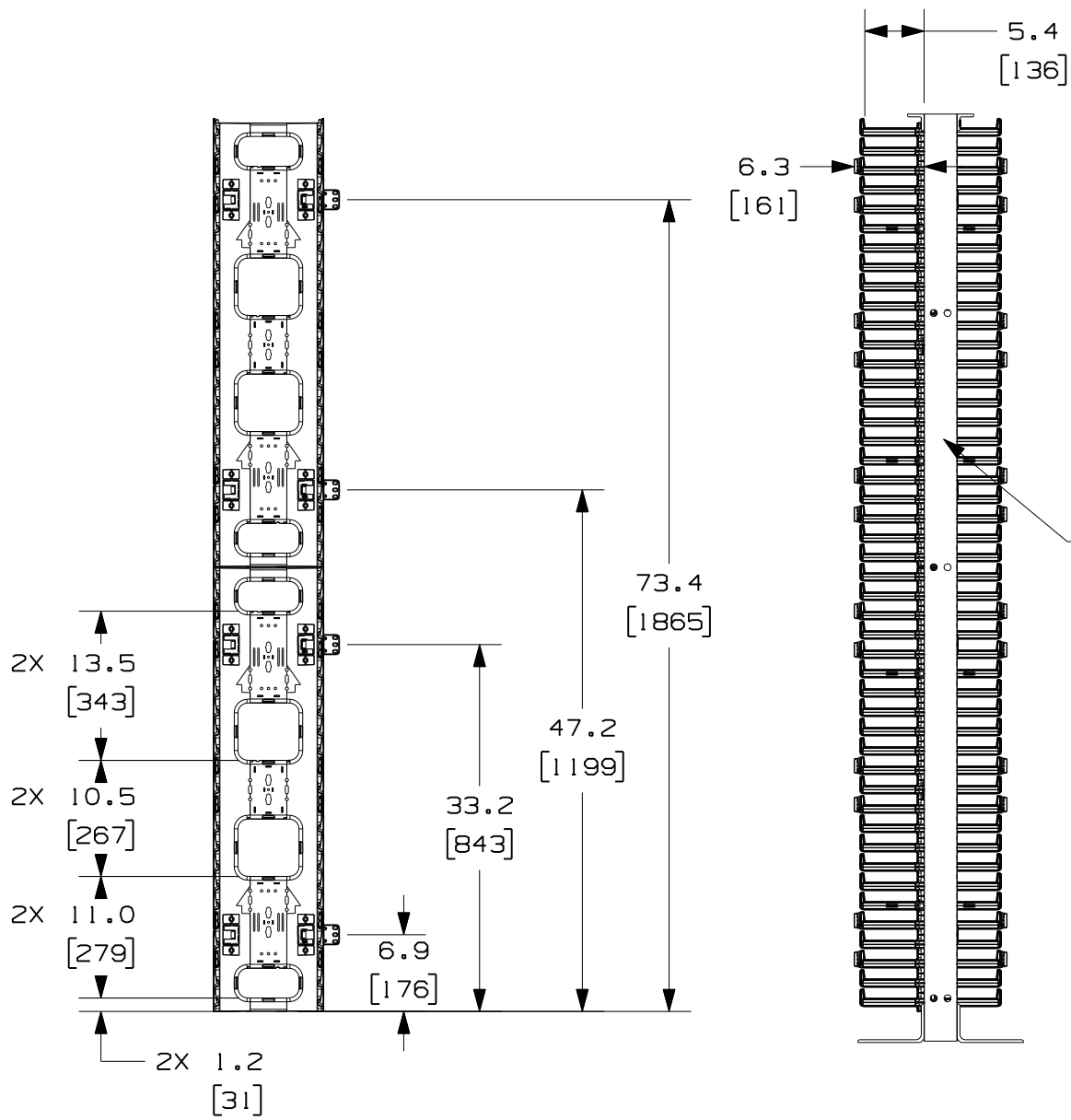


MODEL FILENAME	V10661AD/01
CAD FILENAME/LAYERS	V10661AD_DC/01A
PANDUIT CORP. TINLEY PARK, ILLINOIS	
NETRUNNER HIGH CAPACITY VERTICAL MANAGER, FRONT AND BACK, 10" WIDE (NRV10) CUSTOMER DRAWING	

REV	DATE	BY	CHK	DESCRIPTION	ECN	R	CUST	SUP	OTH
O1A	12-14-10	BAME	NAGL	PROJECTION UPDATED	V10661AD-DC				
OOA	3-6-09	BAME	NAGL	RELEASED	V10661AD-DC				

UNLESS OTHERWISE SPECIFIED, DIMENSIONAL TOLERANCES ARE: (.X) ± (.XXX) ± (.XX) ± ANGLES ±		UNLESS OTHERWISE SPECIFIED, ALL DIMENSIONS ARE GIVEN IN INCHES, THIRD ANGLE PROJECTION.	
DRAWN BY BAME	MAT'L: CABLE MANAGER- ABS CABLE RETAINER- POLYCARBONATE	SCALE NONE	
DATE 3-6-09	CHK'D NAGL	DRAWING NO. V10661AD-DC SHEET 1 OF 2	DWG A SIZE

THIS COPY IS PROVIDED ON A RESTRICTED BASIS AND IS NOT TO BE USED IN ANY WAY DETRIMENTAL TO THE INTERESTS OF PANDUIT CORP.



CMR19X84 RACK

MODEL FILENAME	V10661AD/01
CAD FILENAME/LAYERS	V10661AD_DC/01A
<h1>PANDUIT</h1> CORP. TINLEY PARK, ILLINOIS	
NETRUNNER HIGH CAPACITY VERTICAL MANAGER, FRONT AND BACK, 10" WIDE (NRV10) CUSTOMER DRAWING	

UNLESS OTHERWISE SPECIFIED, DIMENSIONAL TOLERANCES ARE: (.X) ± (.XXX) ± (.XX) ± ANGLES ±	UNLESS OTHERWISE SPECIFIED, ALL DIMENSIONS ARE GIVEN IN INCHES, THIRD ANGLE PROJECTION.
---	---

REV	DATE	BY	CHK	DESCRIPTION	ECN	R	CUST	SUP	OTH	DRAWN BY	MAT'L:	SCALE	DRAWING NO.	DWG SIZE
O1A	12-14-10	BAME	NAGL	SEE SHEET 1 OF 2 FOR REVISIONS	V10661AD-DC					BAME	CABLE MANAGER- ABS CABLE RETAINER- POLYCARBONATE	NONE	V10661AD-DC	A
O0A	3-6-09	BAME	NAGL	SEE SHEET 1 OF 2 FOR REVISIONS	V10661AD-DC					DATE 3-6-09			SHEET 2 OF 2	
										CHK'D NAGL				