

5

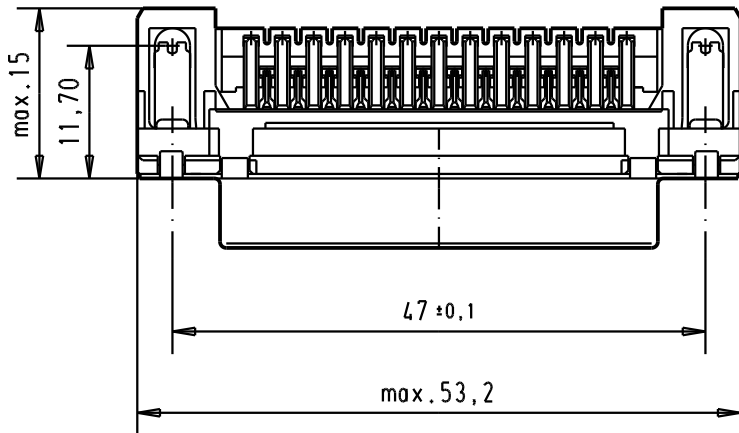
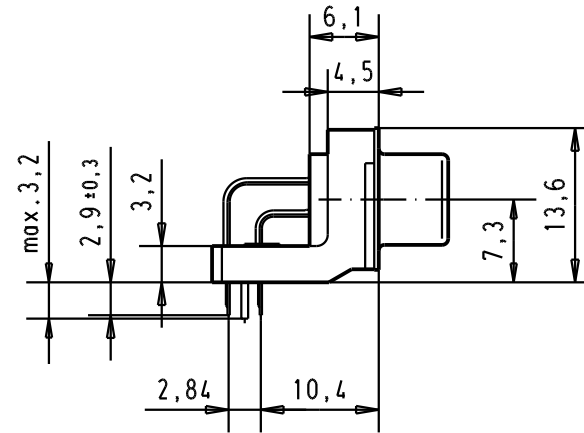
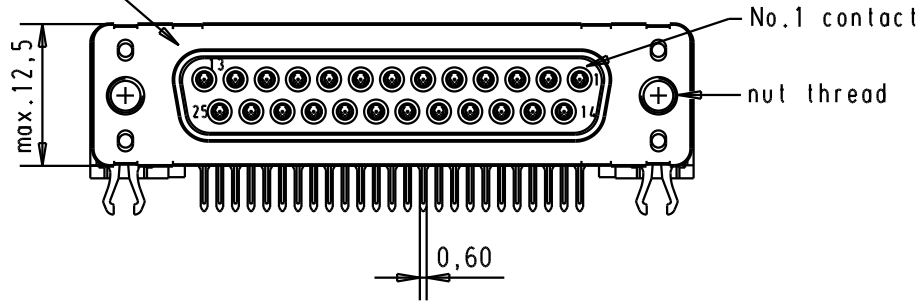
4

3

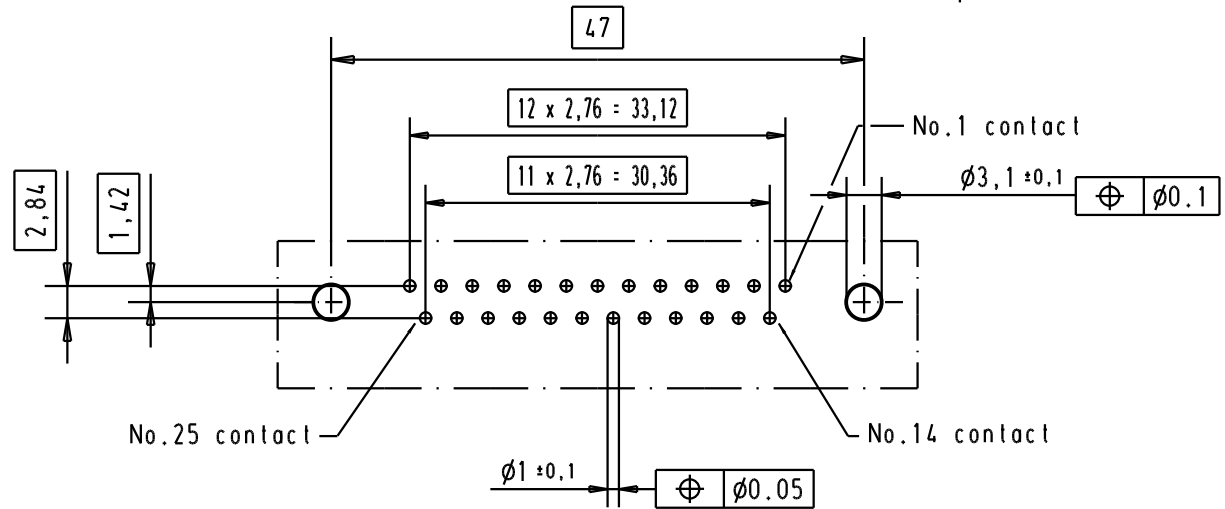
2

1

Mating face according to : MIL-C-24308 / DIN 41652 / CECC 75301-802



PCB layout hole component side



Connector retention and insertion forces on the PCB = 25 / 80 newtons

A

09 66 353 3611	M 3	1								<p>All Dim. in mm Orig. Size DIN A 4</p>	D-Sub 25 poles standard angle female, solder pin with nut and grounding board lock.	Maßstab/ Scale 1.5:1
09 66 353 6611	M 3	2				Detail.	08/dec/00	ALSPACE				
09 66 353 7611	M 3	3				Insp.						
09 66 353 3612	4-40 UNC	1	31892	05/05/04	JH	Stand.						
09 66 353 6612	4-40 UNC								HARTING EURL F-95972 Paris		TB 0966353x61x	Blatt/ Page 2
09 66 353 6612	4-40 UNC	2	31084	04/SEP/02	YT							
09 66 353 7612	4-40 UNC	3	27960	08/dec/00	ALSPACE							
Part number	Nut thread	Performance level	Mod.	Dat.	Name					Sub.		