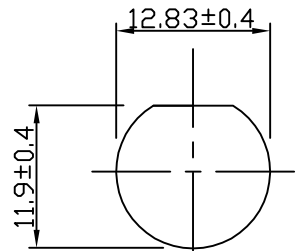
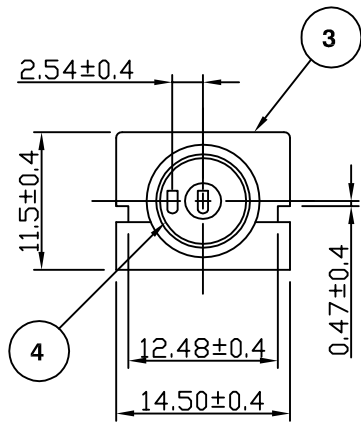
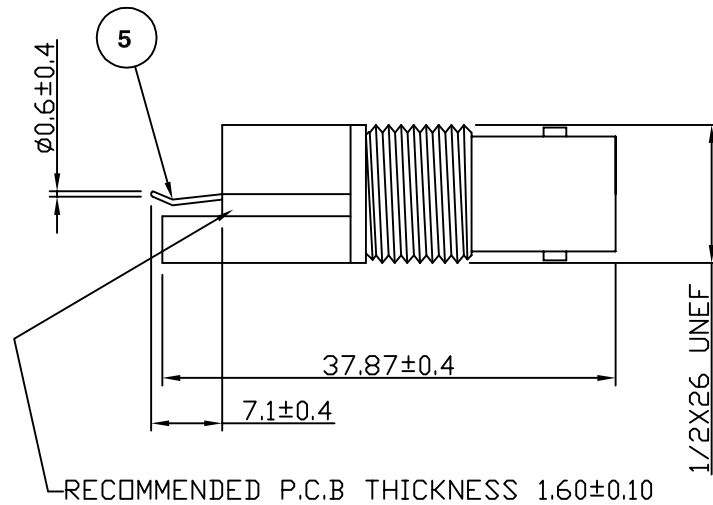
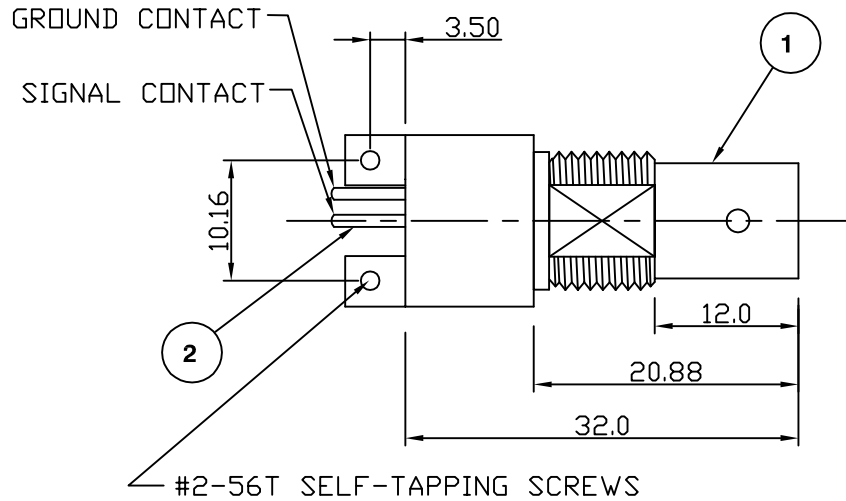


RoHS COMPLIANT



PANEL CUTOUT



RECOMMENDED P.C.B THICKNESS 1.60±0.10

**Electrical Characteristics**

Nominal Impedance:	75 ohms
Frequency Range:	DC to 1 GHz
Insertion Loss:	0.2 dB at 1 GHz
Operating Voltage (rms):	500 V maximum at sea level
Dielectric Withstand Voltage (rms):	1500 V maximum at sea level
Contact Resistance:	3.0 milliohms maximum
Insulation Resistance:	5000 megohms minimum

**Mechanical Characteristics**

Mating Cycles:	500 cycles minimum
Interface Dimensions:	Conform to MIL-C-39012

**Environmental Characteristics**

Temperature Range:	-55 °C to +85 °C
--------------------	------------------

PART	DESCRIPTION
1 Body	Zinc Alloy, nickel plated 2.54 µm
2 Contact	Gold plated at contact area Tin/Lead plated at tail 1.22µm to 2.54µm, nickel plated
3 Housing	PBT (UL 94 V-0)
4 Insulator	Polypropylene UL 94HB
5 Ground Terminal	Copper, tin plated

Dimensional Update	JT	2	13 May 10
First Issue	SN	1	11 Oct 01
DESCRIPTION OF REVISION	APPVD	ISS	DATE



Cinch Connectivity Solutions  
 7-13 Russel Way,  
 Widford Industrial Estate,  
 Chelmsford, Essex,  
 CM1 3AA, UK.  
 Tel: +44 (0) 1245 359515  
 Fax: +44 (0) 1245 358938

SCALE: Not To Scale

DIMENSIONS: mm

TOLERANCES:  
 ± 0.2mm unless  
 otherwise stated

DRAWN BY:

S Nash

CHECKED BY:

R Drennan

APPROVED BY:

P Couzens

DATE:

11 Oct 01

TITLE:

BNC PCB Edge Mount Jack

PART NUMBER:

VBI402-75

PAGE: 1 of 1