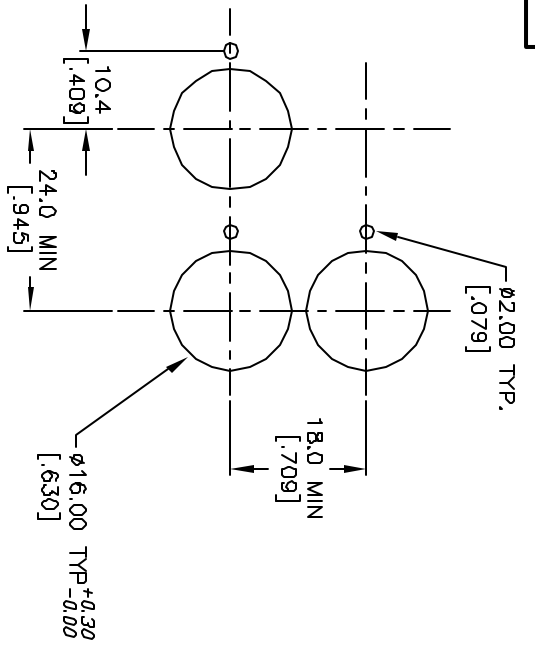
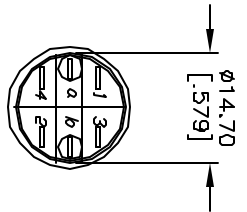
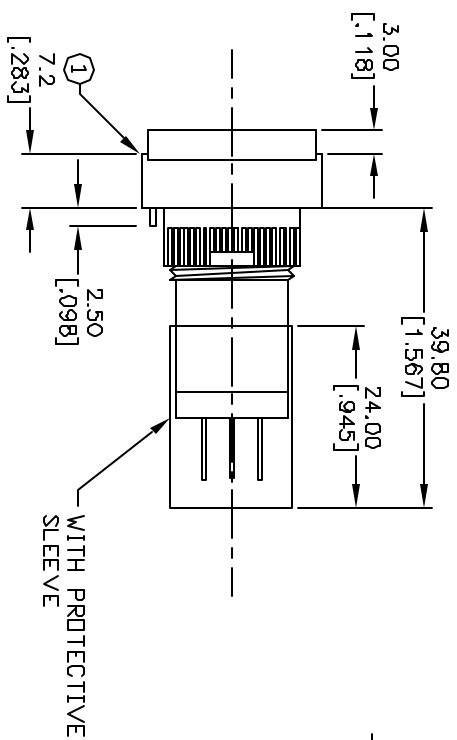
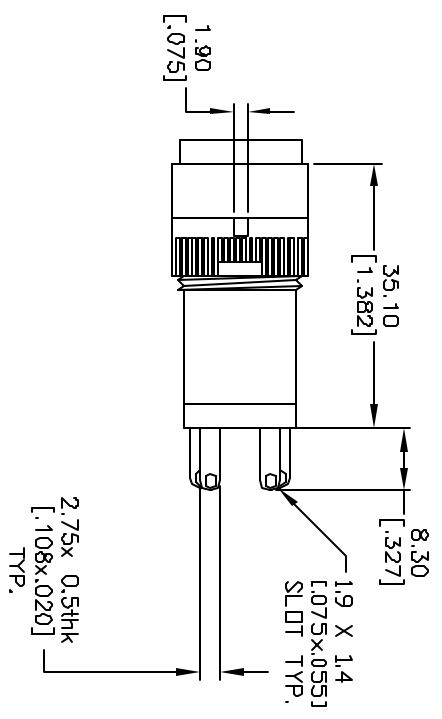
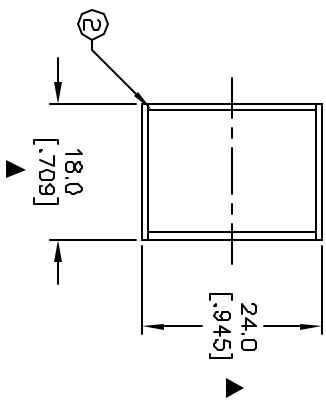


PARTS LIST			
ITEM	QTY.	PART NO.	PART DESCRIPTION
1	1	F040012	P16 OA T11
2	1	F050211	50-002-11 (BLUENS TRANSPARENT)



1 0 2
3 0 4
a-L-b (+)

SPST
CONTACT CONFIGURATION



- NOTES:
1. ALL DIMENSIONS IN MM [INCH]
 2. GENERAL TOLERANCE: X.X=±0.4
X.XX=±0.25
 3. TERM. NOS. FOR REFERENCE ONLY.
 4. RATING: 5A@250V AC / 8A@125V AC
 5. MECHANICAL LIFETIME: >2 MILLION OPERATIONS
 6. TRAVEL: 3.0MM
 7. CONTACT MATERIAL: COPPER ALLOY W/SILVER PLATING
 8. ▲ DENOTES CRITICAL PARAMETER.

A	13332	RELEASED FOR PRODUCTION	8/24/03	AR
REV.	ECN No.	DESCRIPTION	DATE	CHKD

TITLE		SCALE		DATE	DR	DWG	REV
P16OAT110BLU		1:1		6/24/03	AR	XF0558P	A

E-SWITCH ®

THE INFORMATION CONTAINED IN THIS DOCUMENT IS PROPRIETARY TO E-SWITCH AND IS NOT TO BE COPIED OR TRANSFERRED