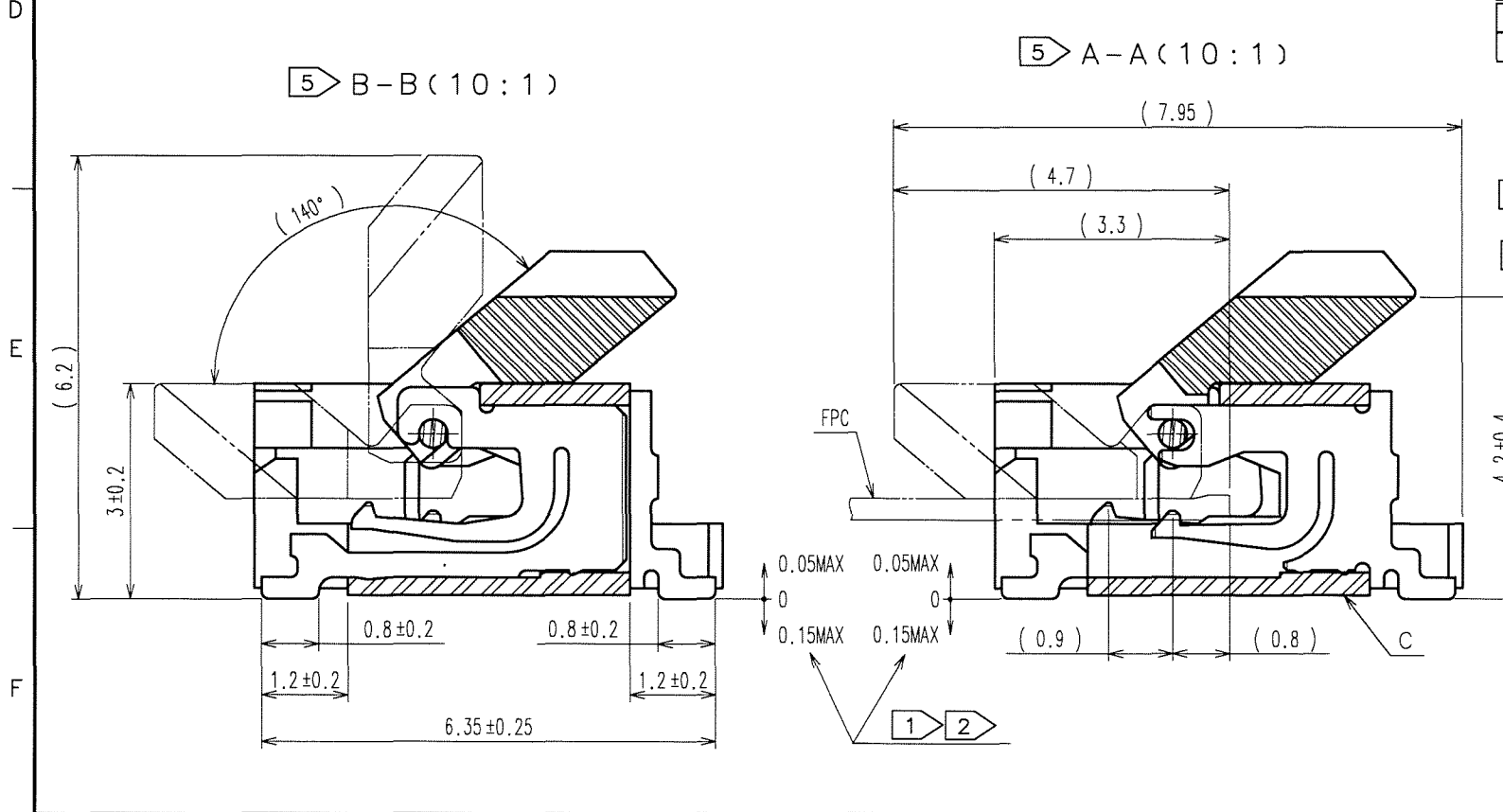
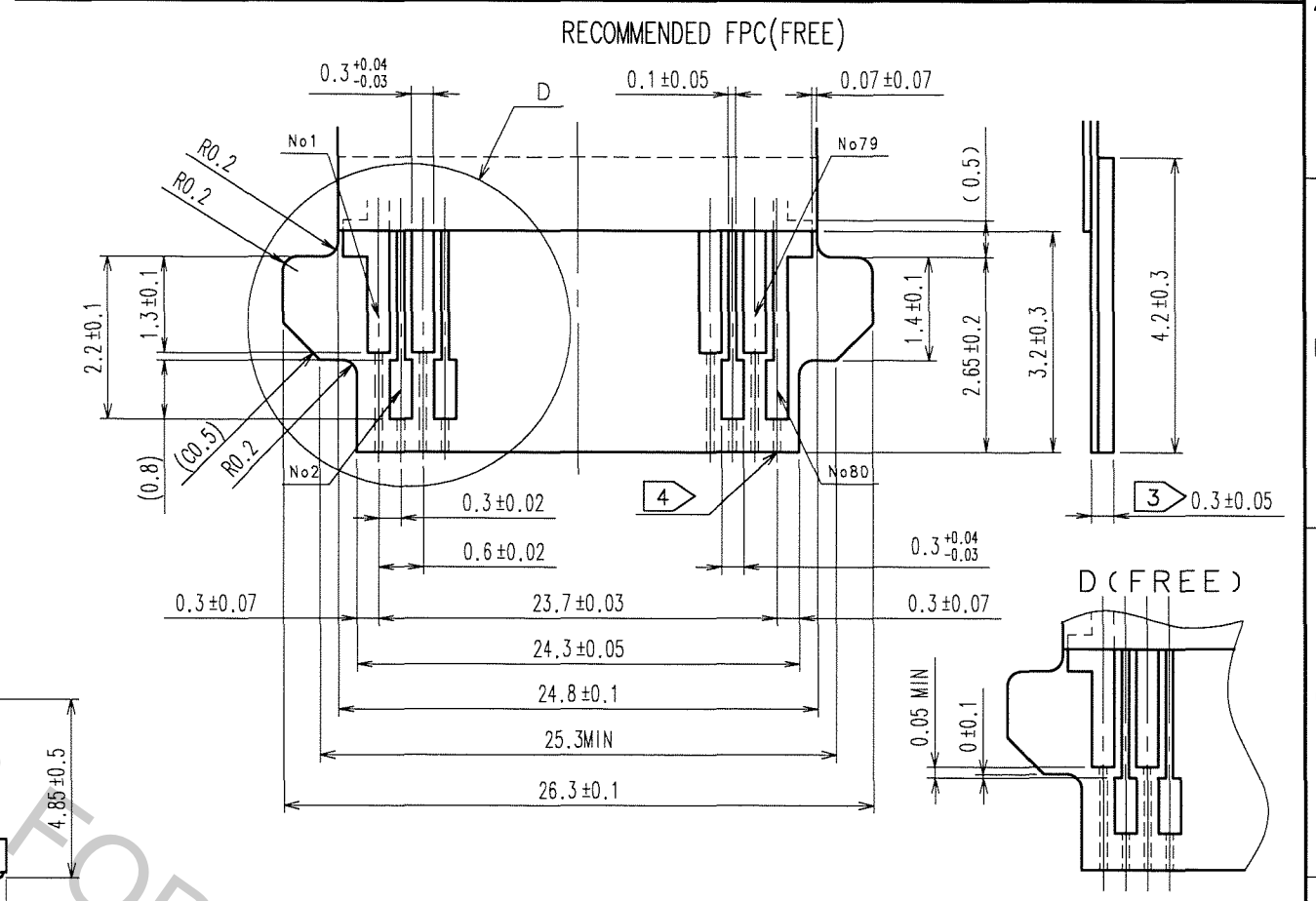
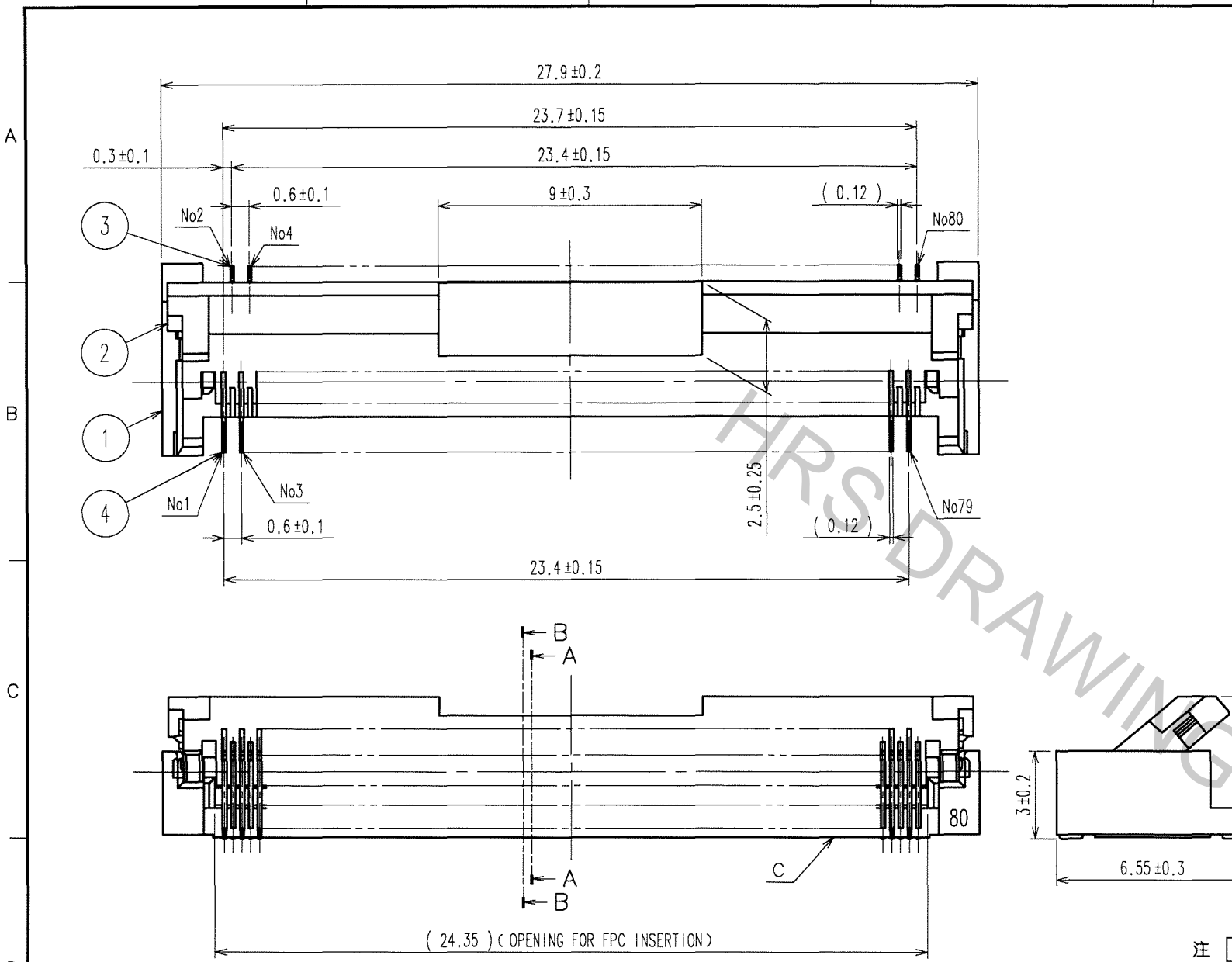
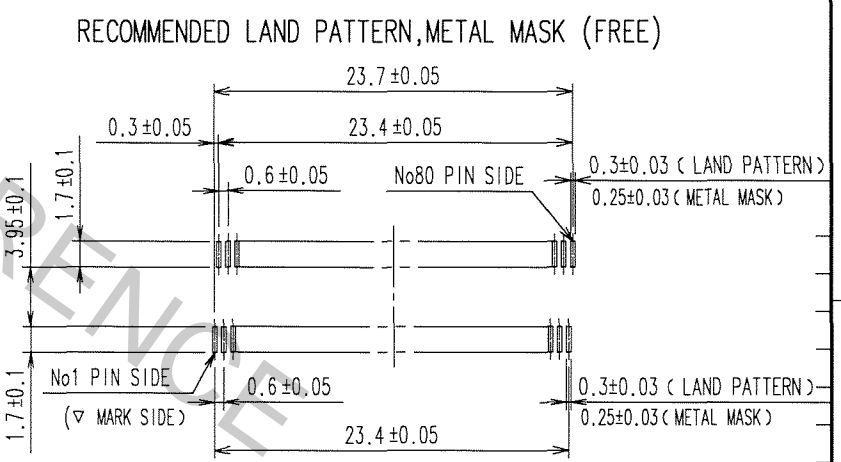


Apr.1.2017 Copyright 2017 HIROSE ELECTRIC CO., LTD. All Rights Reserved.

COUNT	DESCRIPTION OF REVISIONS	BY	CHKD	DATE	COUNT	DESCRIPTION OF REVISIONS	BY	CHKD	DATE
△					△				
△					△				
△					△				



- 注
- ① DIMENSION FROM REFERENCE C
 - ② LEAD CO-PLANARITY SHALL BE 0.1MAX.
 - ③ STIFFNER MATERIAL: POLYIMIDE, HEAT CURED ADHESIVE. POLYIMIDE THICKNESS OF STIFFNER
SINGLE-SIDED FPC: 0.15mm(6mil)MIN
DOUBLE-SIDED FPC: 0.125mm(5mil)MIN
 - ④ CONDUCTOR WIDTH SHALL BE 0.1±0.05 IF FPC HAS PLATING BARS.
 - ⑤ CROSS SECTION A-A IS FOR EVEN-NUMBER PINS, AND CROSS SECTION B-B IS FOR ODD-NUMBER PINS.



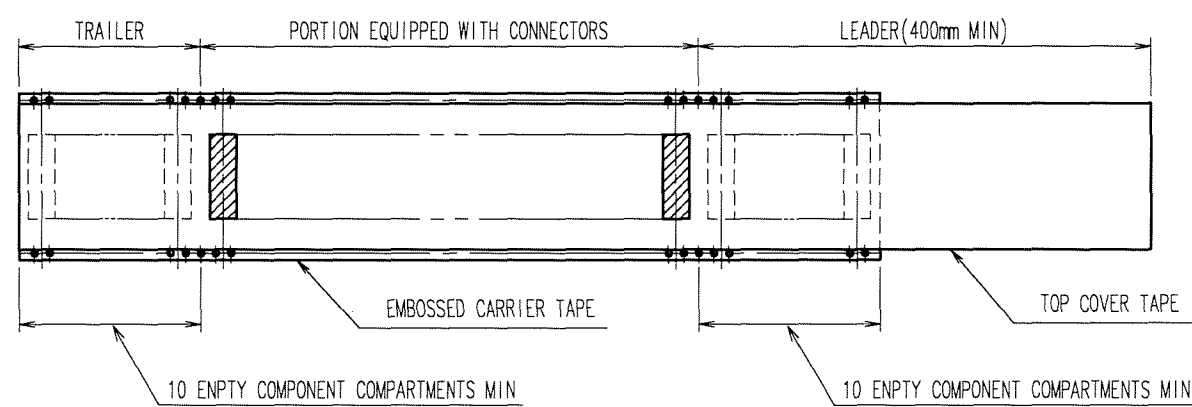
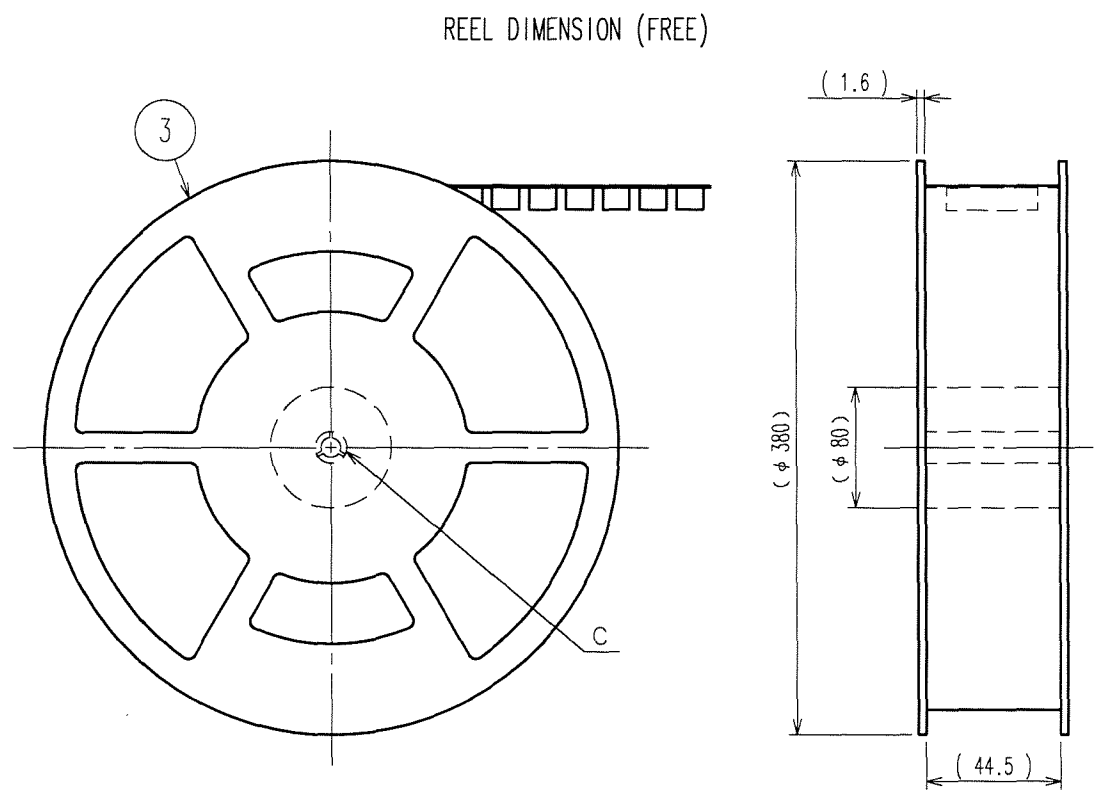
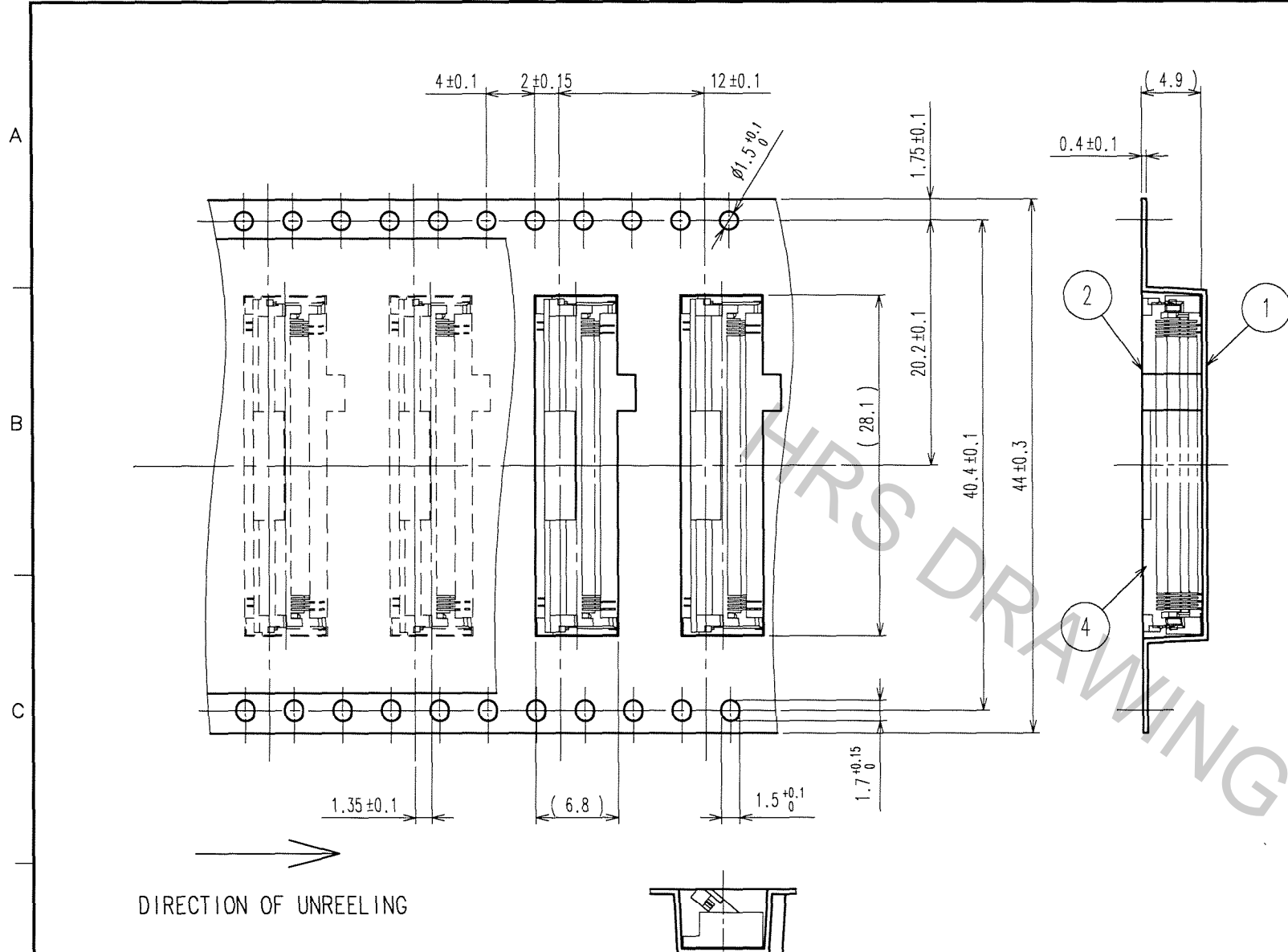
※ RECOMMENDED METAL MASK THICKNESS : t=0.15

TO
NC
IDN

2	LCP	(BLACK)	UL94V-0	4	PHOSPHOR BRONZE	GOLD FLASH OVER NICKEL 1μm MIN
1	LCP	(GRAY)	UL94V-0	3	PHOSPHOR BRONZE	GOLD FLASH OVER NICKEL 1μm MIN
NO.	MATERIAL	FINISH, REMARKS		NO.	MATERIAL	FINISH, REMARKS
CODE NO. (OLD) CL?			DRAWN	DESIGNED	CHECKED	APPROVED
			MK. YASUMI	Y. Ebi	S. Kuwata	R. Tabayon
			06.04.25	06.04.27	06.04.27	
DRAWING NO. EDC3-154192-01			PART NO. FH30-80S-0.3SHW(05)			
SCALE 5 : 1			CODE NO. CL580-0100-4-05			1/2
UNITS mm			HRS HIROSE ELECTRIC CO., LTD			FORM NO. 229

Apr.1.2017 Copyright 2017 HIROSE ELECTRIC CO., LTD. All Rights Reserved.

COUNT	DESCRIPTION OF REVISIONS	BY	CHKD	DATE	COUNT	DESCRIPTION OF REVISIONS	BY	CHKD	DATE



注 1 PER REEL : 1000 CONNECTORS.
 2 REFER TO JIS C 0806 (PACKAGING OF COMPONENTS FOR AUTOMATIC HANDLING.)

2	POLYESTER		4	(CONNECTOR)	
1	POLYSTYRENE		3	POLYSTYRENE	
NO.	MATERIAL	FINISH, REMARKS	NO.	MATERIAL	FINISH, REMARKS
CODE NO. (OLD) CL?		DRAWN MK.YASUMI 06.04.25	DESIGNED Y. Ebi 06.04.27	CHECKED T. Kuwata 06.04.27	APPROVED R. Takayama 06.04.27
PACKAGING SPECIFICATION			RELEASED		
DRAWING NO. EDC3-154192-01		PART NO. FH30-80S-0.3SHW(05)			
SCALE 2 : 1		UNITS mm		CODE NO. CL580-0100-4-05	
HRS HIROSE ELECTRIC CO., LTD				2	

TO
NC
IDN