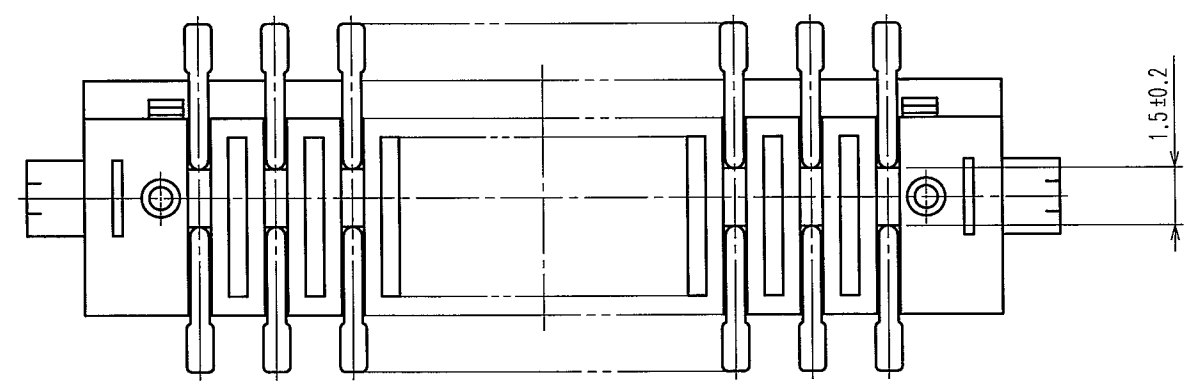
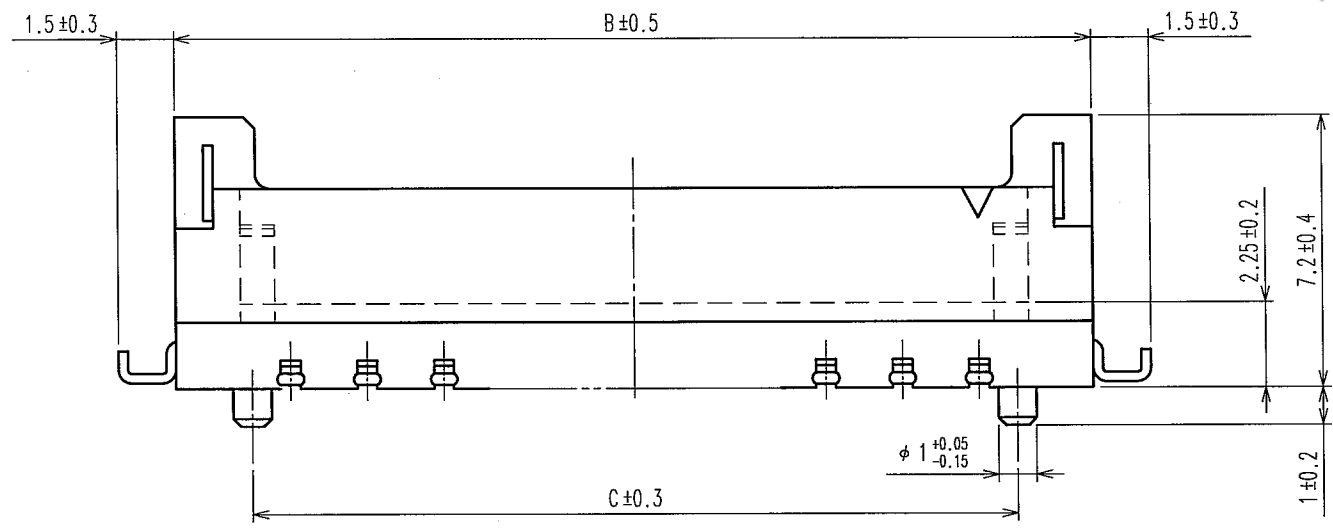
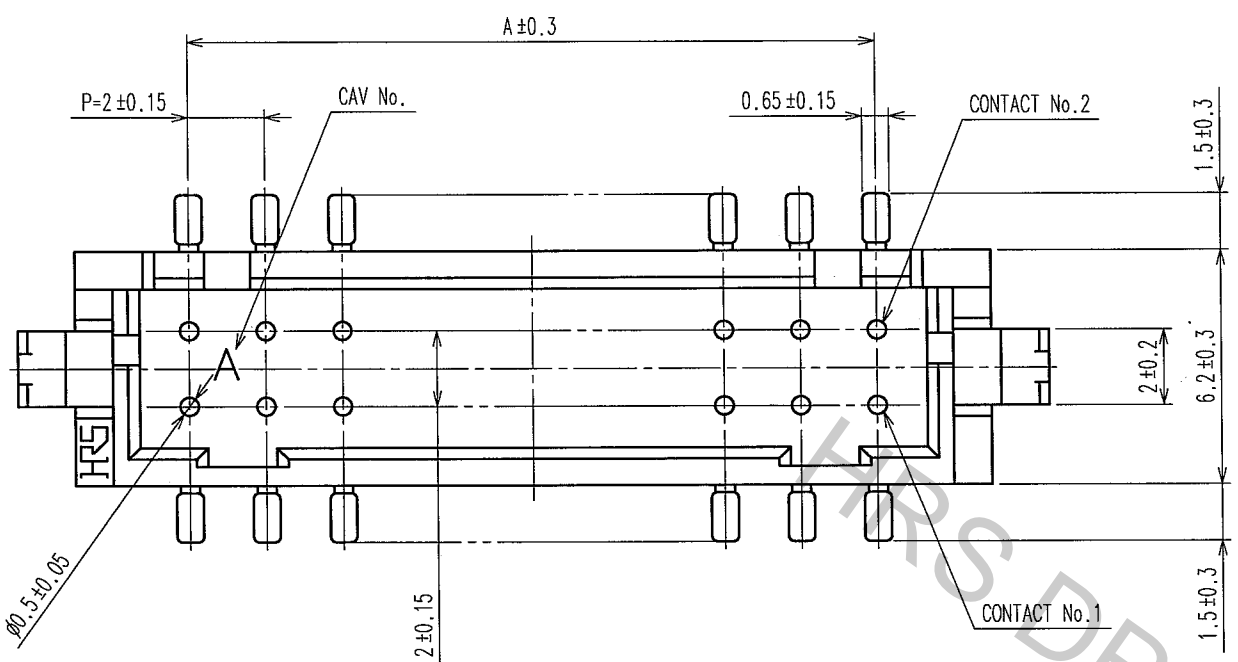
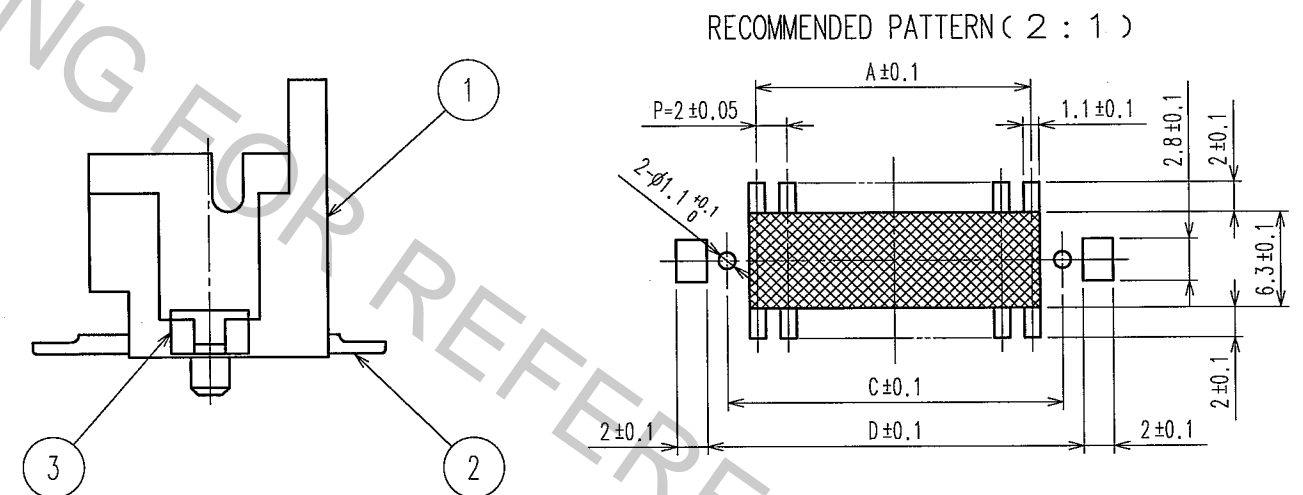


Apr.1.2017 Copyright 2017 HIROSE ELECTRIC CO., LTD. All Rights Reserved.



| COUNT | DESCRIPTION OF REVISIONS | BY | CHKD | DATE | COUNT | DESCRIPTION OF REVISIONS | BY | CHKD | DATE |
|-------|--------------------------|-----|------|----------|-------|--------------------------|----|------|------|
| 3 | DIS-H-002465 | T.O | H.U | 07.09.25 | | | | | |

| CODE No. | PART No. | CONTACT | A | B | C | D |
|---------------|-------------------|---------|------|------|------|------|
| 543-2017-3-27 | DF11Z- 4DP-2V(27) | 4 | 2.0 | 8.5 | 4.0 | 8.7 |
| 543-2018-6-27 | DF11Z- 6DP-2V(27) | 6 | 4.0 | 10.5 | 6.0 | 10.7 |
| 543-2019-9-27 | DF11Z- 8DP-2V(27) | 8 | 6.0 | 12.5 | 8.0 | 12.7 |
| 543-2020-8-27 | DF11Z-10DP-2V(27) | 10 | 8.0 | 14.5 | 10.0 | 14.7 |
| 543-2021-0-27 | DF11Z-12DP-2V(27) | 12 | 10.0 | 16.5 | 12.0 | 16.7 |
| 543-2022-3-27 | DF11Z-14DP-2V(27) | 14 | 12.0 | 18.5 | 14.0 | 18.7 |
| 543-2023-6-27 | DF11Z-16DP-2V(27) | 16 | 14.0 | 20.5 | 16.0 | 20.7 |
| 543-2024-9-27 | DF11Z-18DP-2V(27) | 18 | 16.0 | 22.5 | 18.0 | 22.7 |
| 543-2025-1-27 | DF11Z-20DP-2V(27) | 20 | 18.0 | 24.5 | 20.0 | 24.7 |
| 543-2026-4-27 | DF11Z-22DP-2V(27) | 22 | 20.0 | 26.5 | 22.0 | 26.7 |
| 543-2027-7-27 | DF11Z-24DP-2V(27) | 24 | 22.0 | 28.5 | 24.0 | 28.7 |
| 543-2028-0-27 | DF11Z-26DP-2V(27) | 26 | 24.0 | 30.5 | 26.0 | 30.7 |
| 543-2029-2-27 | DF11Z-28DP-2V(27) | 28 | 26.0 | 32.5 | 28.0 | 32.7 |
| 543-2030-1-27 | DF11Z-30DP-2V(27) | 30 | 28.0 | 34.5 | 30.0 | 34.7 |
| 543-2031-4-27 | DF11Z-32DP-2V(27) | 32 | 30.0 | 36.5 | 32.0 | 36.7 |
| 543-2032-7-27 | DF11Z-40DP-2V(27) | 40 | 38.0 | 44.5 | 40.0 | 44.7 |



NOTE 1 LEAD CO-PLANALITY INCLUDE REINFORCED METAL FITTING SHALL BE 0.1mm MAX.
 2 WHEN A PART MARKED WITH HAS A PATTERN AND NO RESIST ON IT, USE CARE TO PREVENT THE CONNECTOR TERMINAL FROM CONTACTING IT.
 3 MATERIAL IS SHOWN IN TABLE.

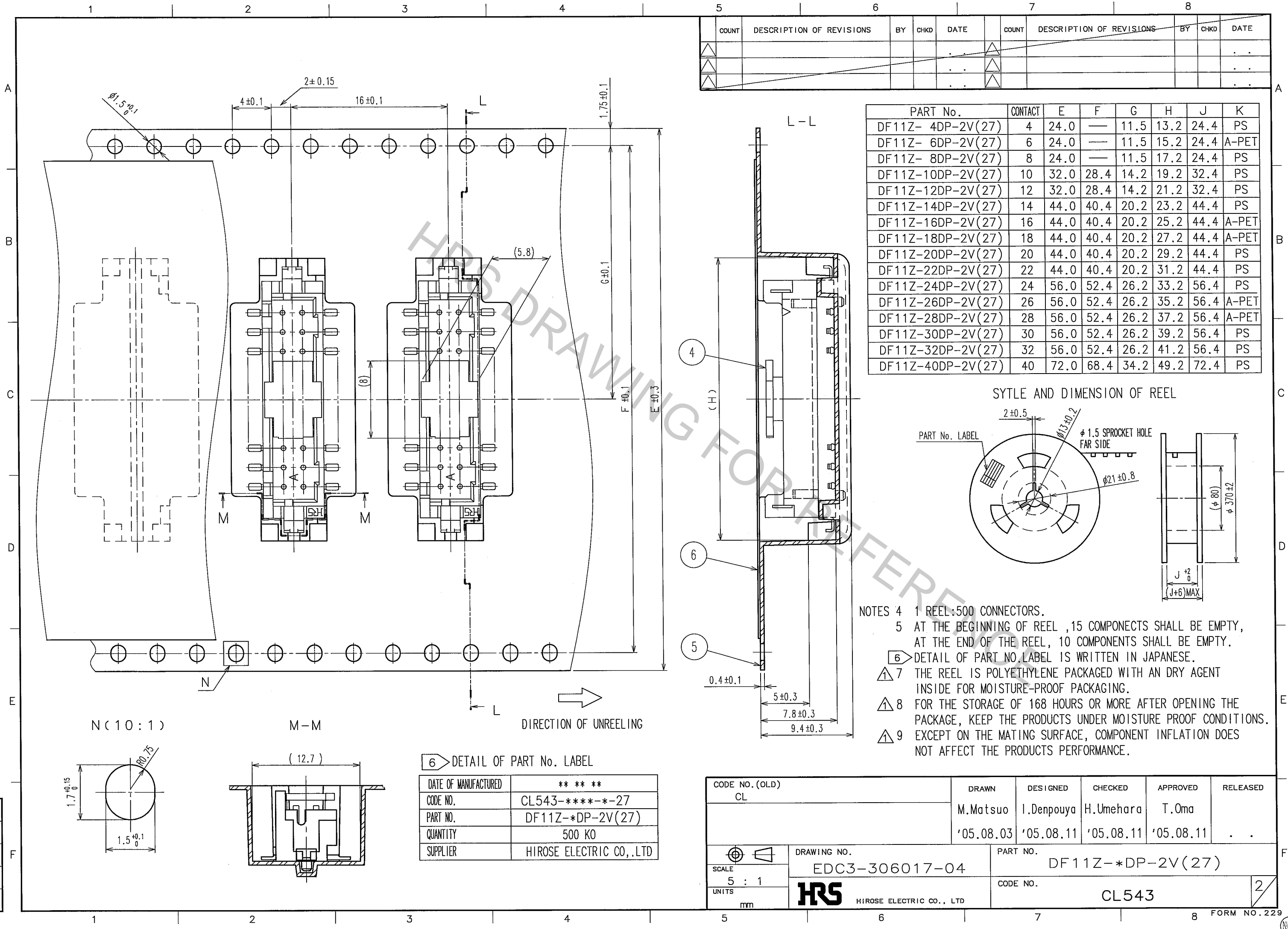
| 3 | BRASS | SURFACE:TIN PLATED 1μ m min | 6 | POLYESTER | CLEAR, COVER TAPE |
|-----|-----------|---|-----|-----------|------------------------------|
| 2 | BRASS | SURFACE:TIN PLATED 1μ m min UNDER PLATING:NICKEL PLATED 0.5μ m min | 5 | K<3 | EMBOSSED CARRIER TAPE, CLEAR |
| 1 | POLYAMIDE | BEIGE,UL94V-0 | 4 | POLYAMIDE | CAP, BLACK |
| NO. | MATERIAL | FINISH, REMARKS | NO. | MATERIAL | FINISH, REMARKS |

| CODE NO. (OLD) | DRAWN | DESIGNED | CHECKED | APPROVED | RELEASED |
|----------------|-----------|------------|-----------|-----------|----------|
| CL | M.Matsuo | I.Denpouya | H.Umehara | T.Oma | |
| | '05.08.03 | '05.08.11 | '05.08.11 | '05.08.11 | |

| | | |
|--------------|-------------------------------------|------------------------------|
| SCALE 5:1 | DRAWING NO. EDC3-306017-04 | PART NO. DF11Z-*DP-2V(27) |
| UNITS mm | HRS HIROSE ELECTRIC CO., LTD | CODE NO. CL543 |

| |
|----|
| TO |
| |
| |
| |

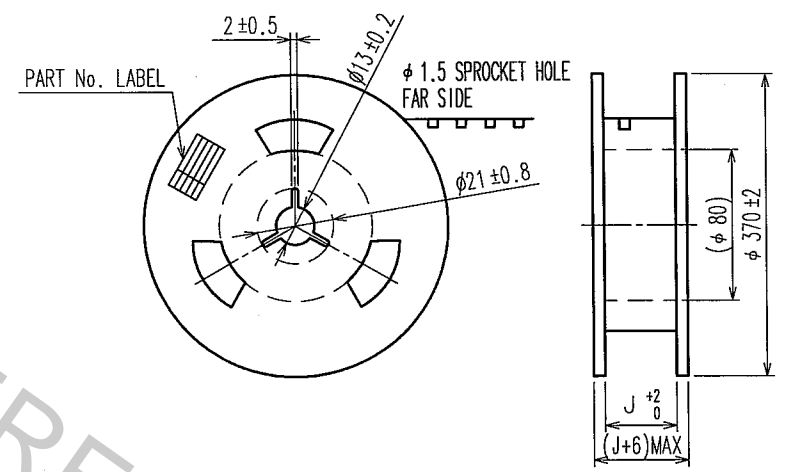
Apr.1.2017 Copyright 2017 HIROSE ELECTRIC CO., LTD. All Rights Reserved.



| COUNT | DESCRIPTION OF REVISIONS | BY | CHKD | DATE | COUNT | DESCRIPTION OF REVISIONS | BY | CHKD | DATE |
|-------|--------------------------|----|------|------|-------|--------------------------|----|------|------|
| | | | | | | | | | |
| | | | | | | | | | |
| | | | | | | | | | |

| PART No. | CONTACT | E | F | G | H | J | K |
|-------------------|---------|------|------|------|------|------|-------|
| DF11Z- 4DP-2V(27) | 4 | 24.0 | — | 11.5 | 13.2 | 24.4 | PS |
| DF11Z- 6DP-2V(27) | 6 | 24.0 | — | 11.5 | 15.2 | 24.4 | A-PET |
| DF11Z- 8DP-2V(27) | 8 | 24.0 | — | 11.5 | 17.2 | 24.4 | PS |
| DF11Z-10DP-2V(27) | 10 | 32.0 | 28.4 | 14.2 | 19.2 | 32.4 | PS |
| DF11Z-12DP-2V(27) | 12 | 32.0 | 28.4 | 14.2 | 21.2 | 32.4 | PS |
| DF11Z-14DP-2V(27) | 14 | 44.0 | 40.4 | 20.2 | 23.2 | 44.4 | PS |
| DF11Z-16DP-2V(27) | 16 | 44.0 | 40.4 | 20.2 | 25.2 | 44.4 | A-PET |
| DF11Z-18DP-2V(27) | 18 | 44.0 | 40.4 | 20.2 | 27.2 | 44.4 | A-PET |
| DF11Z-20DP-2V(27) | 20 | 44.0 | 40.4 | 20.2 | 29.2 | 44.4 | PS |
| DF11Z-22DP-2V(27) | 22 | 44.0 | 40.4 | 20.2 | 31.2 | 44.4 | PS |
| DF11Z-24DP-2V(27) | 24 | 56.0 | 52.4 | 26.2 | 33.2 | 56.4 | PS |
| DF11Z-26DP-2V(27) | 26 | 56.0 | 52.4 | 26.2 | 35.2 | 56.4 | A-PET |
| DF11Z-28DP-2V(27) | 28 | 56.0 | 52.4 | 26.2 | 37.2 | 56.4 | A-PET |
| DF11Z-30DP-2V(27) | 30 | 56.0 | 52.4 | 26.2 | 39.2 | 56.4 | PS |
| DF11Z-32DP-2V(27) | 32 | 56.0 | 52.4 | 26.2 | 41.2 | 56.4 | PS |
| DF11Z-40DP-2V(27) | 40 | 72.0 | 68.4 | 34.2 | 49.2 | 72.4 | PS |

STYLE AND DIMENSION OF REEL



- NOTES
- 4 1 REEL:500 CONNECTORS.
 - 5 AT THE BEGINNING OF REEL ,15 COMPONECTS SHALL BE EMPTY, AT THE END OF THE REEL, 10 COMPONENTS SHALL BE EMPTY.
 - 6 DETAIL OF PART No. LABEL IS WRITTEN IN JAPANESE.
 - 7 THE REEL IS POLYETHYLENE PACKAGED WITH AN DRY AGENT INSIDE FOR MOISTURE-PROOF PACKAGING.
 - 8 FOR THE STORAGE OF 168 HOURS OR MORE AFTER OPENING THE PACKAGE, KEEP THE PRODUCTS UNDER MOISTURE PROOF CONDITIONS.
 - 9 EXCEPT ON THE MATING SURFACE, COMPONENT INFLATION DOES NOT AFFECT THE PRODUCTS PERFORMANCE.

6 DETAIL OF PART No. LABEL

| | |
|----------------------|-------------------------|
| DATE OF MANUFACTURED | ** * * * |
| CODE NO. | CL543-*****-27 |
| PART NO. | DF11Z-*DP-2V(27) |
| QUANTITY | 500 KO |
| SUPPLIER | HIROSE ELECTRIC CO.,LTD |

| | | | | | |
|-------------------------------|------------------------------|------------------------|----------------------|-------------------|---------------|
| CODE NO. (OLD) CL | DRAWN M.Matsuo | DESIGNED I.Denpouya | CHECKED H.Umehara | APPROVED T.Oma | RELEASED . |
| | '05.08.03 | '05.08.11 | '05.08.11 | '05.08.11 | . |
| DRAWING NO. EDC3-306017-04 | PART NO. DF11Z-*DP-2V(27) | | | | |
| SCALE 5 : 1 | CODE NO. CL543 | | | | 2 |
| UNITS mm | HIROSE ELECTRIC CO., LTD | | | | |