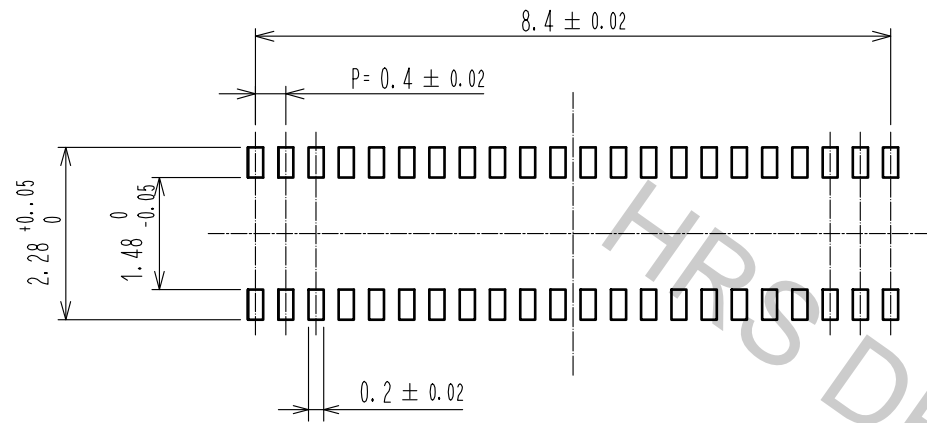


NOTE) 1. ALL LEAD CO-PLANARITY SHALL BE 0.08mm MAX
 2. CONTACT PLATING SPECIFICATIONS.
 CONTACT AREA : GOLD 0.05 μm MIN
 SMT LEAD : GOLD 0.05 μm MIN
 UNDERPLATING : NICKEL 1 μm MIN
 (SURFACE : SEALING)

3. HRS MARK AND CAV NO. ARE INDICATED IN APPROX POSITION SHOWN.
 4. GATE POSITION IS INDICATED IN APPROX POSITION SHOWN.

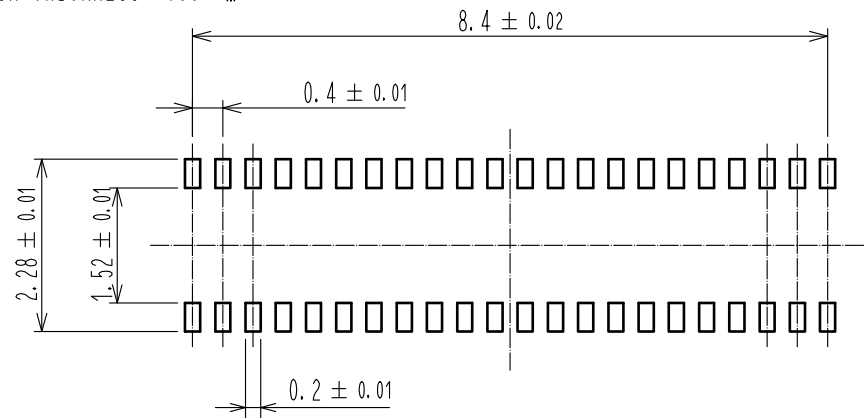
3	PS	CLEAR (ENBOSSED CARRIER TAPE)	6	PS	CLEAR (REINFORCEMENT COLLAR)
2	PHOSPHOR BRONZE	2	5	PS	BLACK (PLASTIC REEL)
1	LCP	UL94 V-0, BLACK	4	POLYESTER	CLEAR (COVER TAPE)
NO.	MATERIAL	FINISH . REMARKS	NO.	MATERIAL	FINISH . REMARKS
UNITS		SCALE	COUNT	DESCRIPTION OF REVISIONS	
mm		10:1		DESIGNED	CHECKED
		APPROVED : MO. ISHIDA	16.04.28	DRAWING NO. EDC-324411-51-00	
HIROSE ELECTRIC CO., LTD.		CHECKED : MO. ISHIDA	16.04.28	PART NO. BM14C(0.8)-44DS-0.4V(51)	
		DESIGNED : NY. YAMASHIRO	16.04.28	CODE NO. CL684-8022-0-51	
		DRAWN : SN. NUMAZAKI	16.04.28	1/3	

◆ RECOMMENDED PCB LAYOUT

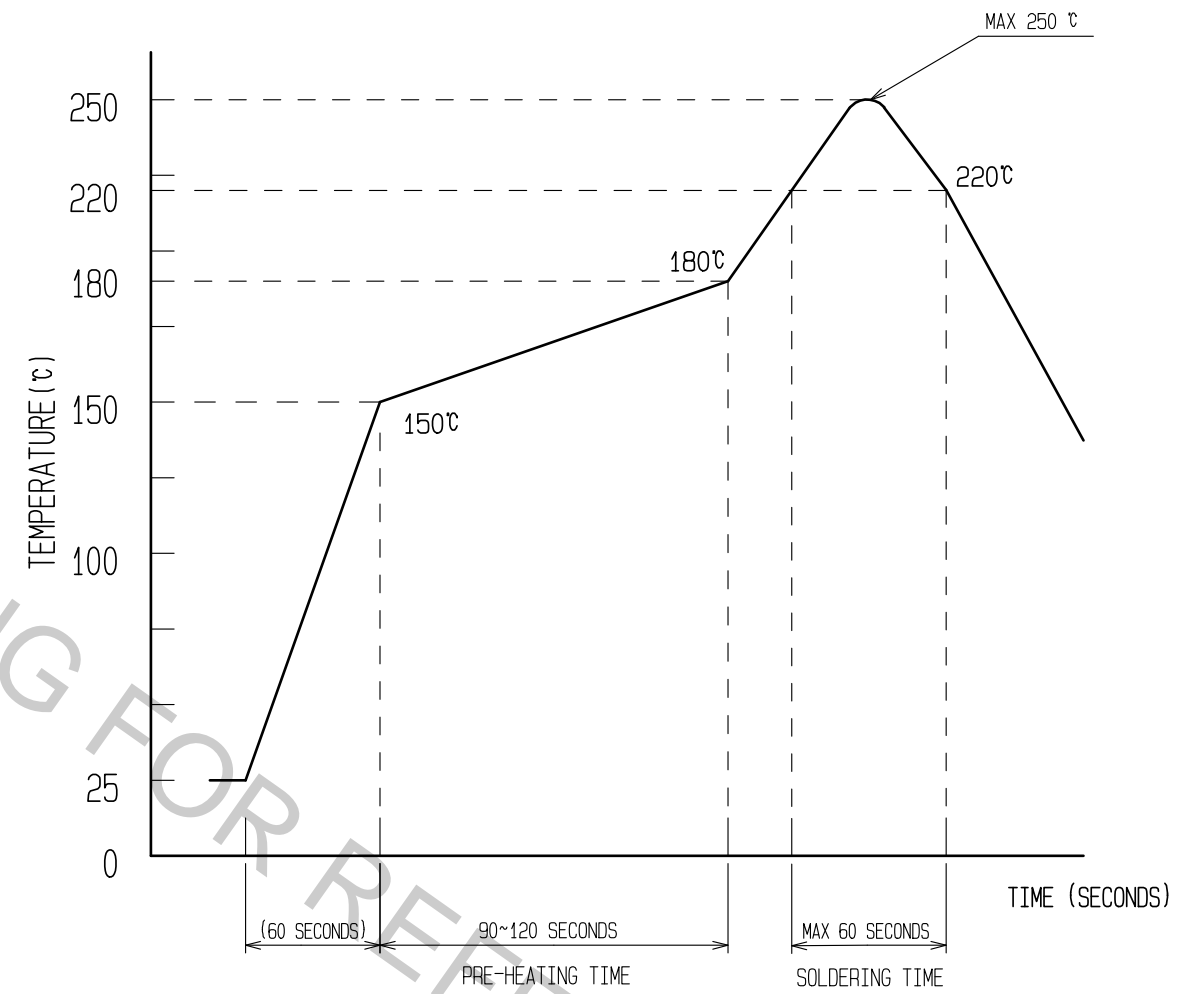


◆ RECOMMENDED METAL MASK DIMENSIONS

METAL MASK THICKNESS : $100 \mu\text{m}$



⑥ RECOMMENDED REFLOW TEMPERATURE PROFILE USING LEAD-FREE SOLDER PASTE.



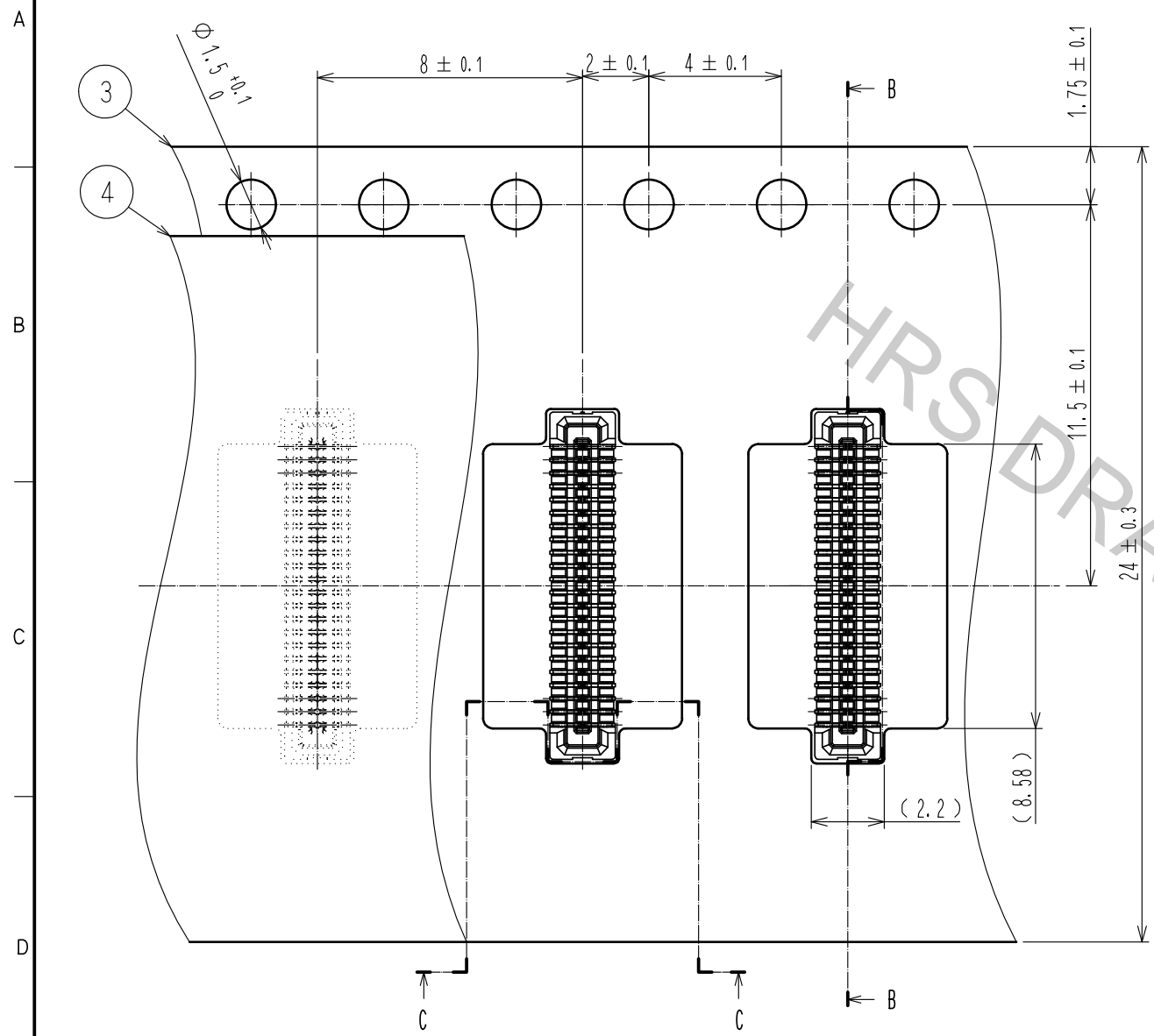
- REFLOW METHOD: IR REFLOW.
 NUMBER OF REFLOW CYCLES: 2 CYCLES MAX.
 1) REFLOW TIME
 DURATION ABOVE 220°C, 60 SEC. MAX.
 (PEAK TEMPERATURE: 250°C MAX)
 2) PRE-HEAT TIME
 PRE-HEAT TEMPERATURE(MIN): 150°C
 PRE-HEAT TEMPERATURE(MAX): 180°C
 PRE-HEAT TIME: 90-120 sec.

⑥ THIS TEMPERATURE PROFILE IS PER THE CONDITIONS SHOWN ABOVE. ADDITIONAL FACTORS, SUCH AS SOLDER PASTE TYPE, PCB SIZE AND OTHER MOUNTED COMPONENTS COULD AFFECT THE PROFILE, THEREFORE, A THOROUGH EVALUATION OF MOUNTING CONDITION IS REQUIRED PRIOR TO PRODUCTION. TEMPERATURE IS MEASURED AT CONTACT LEAD.

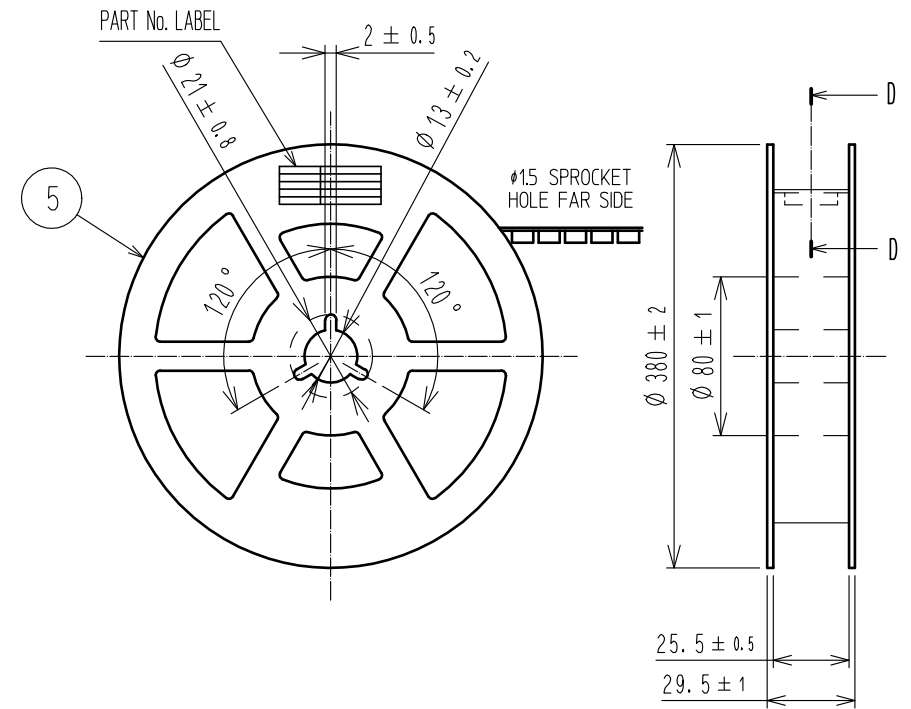
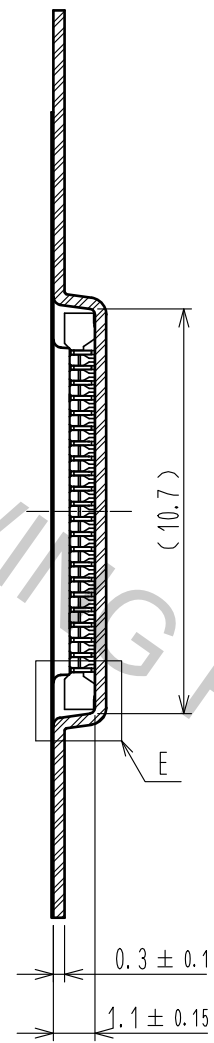
HRS	DRAWING NO.	EDC-324411-51-00
	PART NO.	BM14C(0.8)-44DS-0.4V(51)
	CODE NO.	CL684-8022-0-51

EMBOSSED CARRIER TAPE PACKAGING (5:1)

STYLE AND DIMENTION OF REEL (FREE)



B-B (5:1)

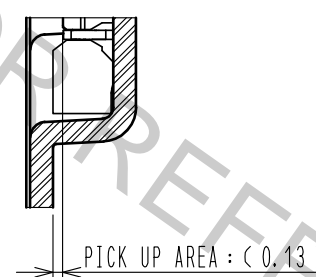


DETAIL OF PART No. LABEL

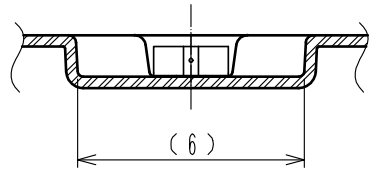
製造年月日	** ** *	DATE OF MANUFACTURED
製品コード	CL684-8022-0-51	CODE No.
製品名	BM14C<0.8>-44DS-0.4V<51>	PART No.
数量	8,000	QUANTITY
納入者	ヒロセ電機(株)	SUPPLIER

DATE OF MANUFACTURED
CODE No.
PART No.
QUANTITY
SUPPLIER

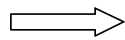
E<10:1>



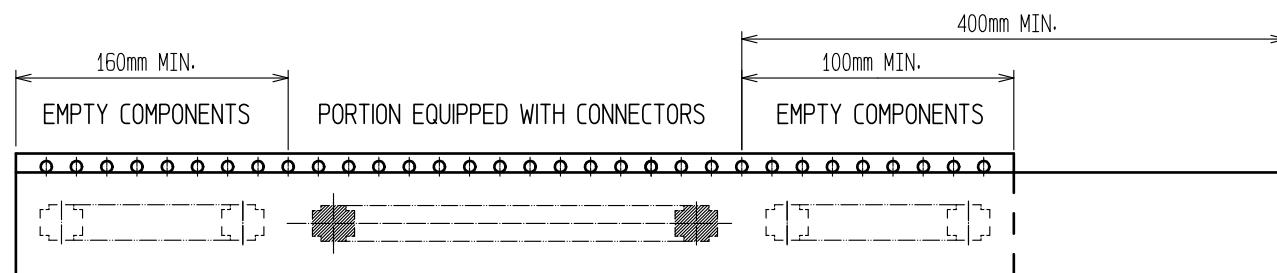
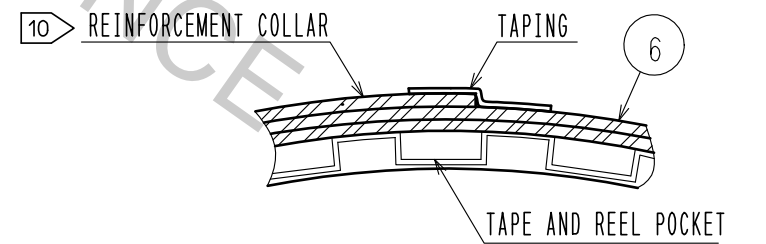
C-C (5:1)



DIRECTION OF UNREELING



D-D (FREE)



7. PER REEL 8000 CONNECTORS.

8. THE DIMENSIONS IN PARENTHESES ARE FOR REFERENCE.

9 REFER TO JIS C 0806(PACKAGING OF COMPONENTS FOR AUTOMATIC HANDLING)

10 AFTER PACKAGING, ROLL 2 METERS OF THE REINFORCEMENT COLLAR TO OUTER CIRCUMFERENCE OF TAPE AND REEL POCKET, AND TAPE DOWN AT THE END THE COLLAR.

HRS	DRAWING NO.	EDC-324411-51-00
	PART NO.	BM14C<0.8>-44DS-0.4V<51>
	CODE NO.	CL684-8022-0-51
		\triangle 3/3