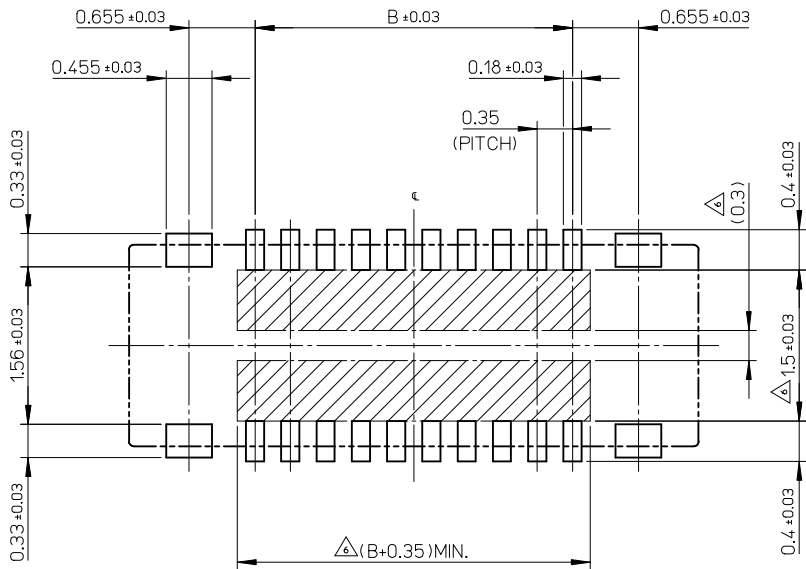


11.90	14.40	504618-7010	o	---	70
10.85	13.35	504618-6410	o	---	64
10.15	12.65	504618-6010	---	---	60
9.8	12.30	504618-5810	---	---	58
9.10	11.60	504618-5410	---	---	54
8.40	10.90	504618-5010	o	---	50
8.05	10.55	504618-4810	---	---	48
7.00	9.50	504618-4210	---	---	42
6.65	9.15	504618-4010	o	---	40
6.30	8.80	504618-3810	---	---	38
5.60	8.10	504618-3410	o	---	34
4.90	7.40	504618-3010	o	---	30
3.85	6.35	504618-2410	o	---	24
3.15	5.65	504618-2010	o	---	20
2.80	5.30	504618-1810	---	---	18
2.45	4.95	504618-1610	---	---	16
1.75	4.25	504618-1210	---	---	12
1.40	3.90	504618-1010	o	---	10
0.70	3.20	504618-0610	---	---	6
B	A	EMBOSSED TAPE PACKAGE	HIGH VOL. TOOL	LOW VOL. TOOL	CIRCUIT
		ORDER NO.	SAMPLE PREPARATION o : TOOLED Δ : WORK IN PROCESS --- : TOOLING TO BE CONFIRMED		

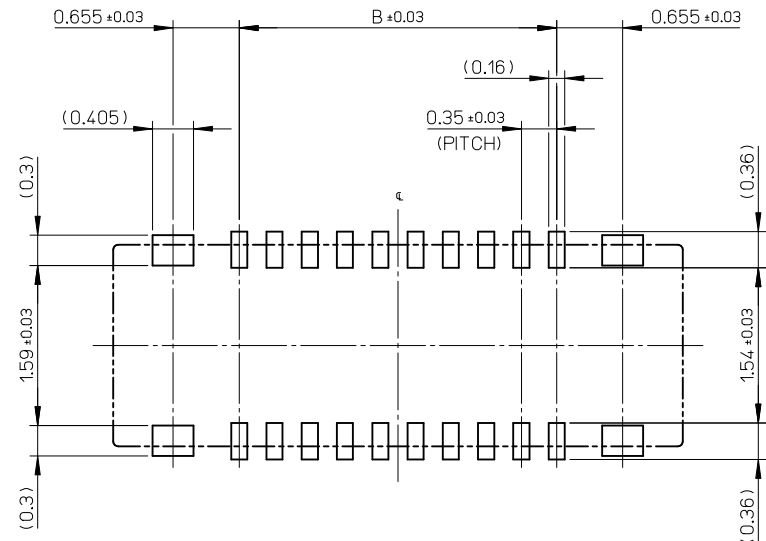
NOTES

- MATERIAL
HOUSING : LIQUID CRYSTAL POLYMER UL94V-0(COLOR : BLACK)
TERMINAL : COPPER ALLOY
FITTING NAIL : COPPER ALLOY
- PLATING
TERMINAL
GOLD
UNDER PLATING : NICKEL
*DIVIDE INTO PARTS THE GOLD PLATING OF THE CONTACT AND THE TAIL PART BY THE NICKEL PLATING.
FITTING NAIL
GOLD
UNDER PLATING : NICKEL
- APPLY FOR (CIRCUIT/2)=EVEN.
- MATE WITH : 504622-**10
- TAIL AND FITTING NAIL COPLANARITY TO BE 0.08MAXIMUM.
- PROHIBITED AREA OF PATTERN WIRING AND SOLDER.
(FOR EACH AREA, THE WIRING THAT TOUCHES ON THE SOLDER CAN BE ATTACHED, THEN COVERED WITH A FILM TO KEEP SOLDER OUT.)
- ELV and RoHS COMPLIANT.
- ELECTRIC SPEC OF FITTING NAIL IS NOT GUARANTEED WHEN MATED.

REVISED EC NO: J2015-0816 DRWN:MYOSHIDA 2014/12/16 CHKD:RTAKEUCHI 2014/12/16 APPR:KMORIKAWA 2014/12/17	DESCRIPTION REV	GENERAL TOLERANCES (UNLESS SPECIFIED)		DIMENSION STYLE MM ONLY	SCALE 20:1	DESIGN UNITS METRIC	THIRD ANGLE PROJECTION	
		10 UNDER ±0.2	10 OVER 30 UNDER ±0.25	DRAWN BY HON001	DATE 2014/02/24	TITLE 0.35 BB CONN. H=0.6 SSB6 REC. ASSY		
		30 OVER ±0.3	ANGULAR ±1 °	CHECKED BY RTAKEUCHI	DATE 2014/02/24			
		DRAFT WHERE APPLICABLE MUST REMAIN WITHIN DIMENSIONS		APPROVED BY KMORIKAWA	DATE 2014/04/17			
		SIZE A3	THIS DRAWING CONTAINS INFORMATION THAT IS PROPRIETARY TO MOLEX INCORPORATED AND SHOULD NOT BE USED WITHOUT WRITTEN PERMISSION					

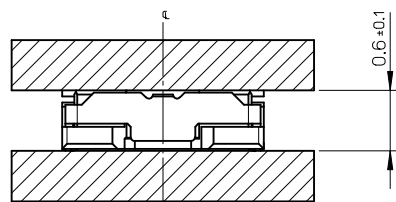


RECOMMENDED P.W.BOARD PATTERN LAYOUT(REFERENCE)



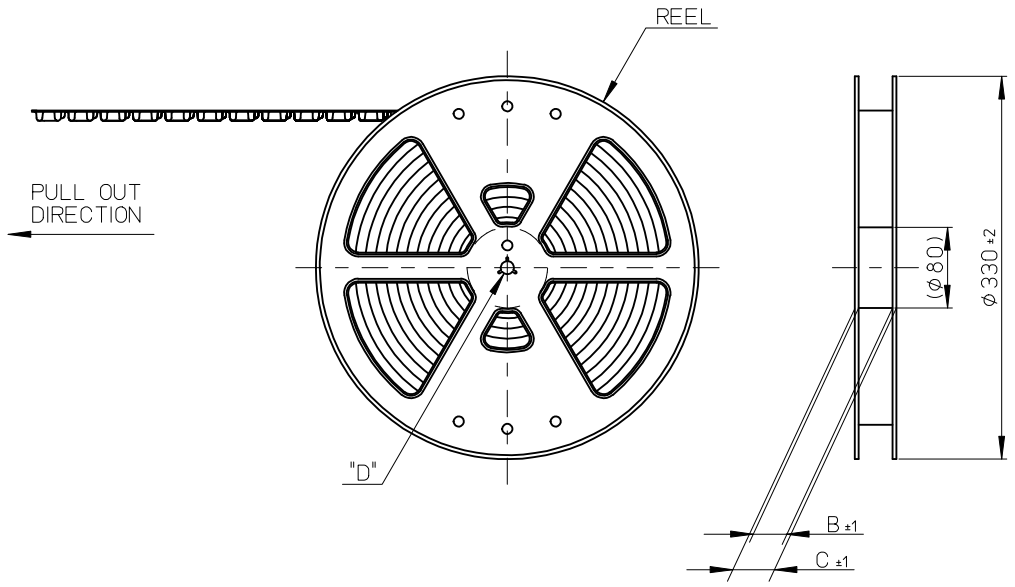
RECOMMENDED METAL MASK LAYOUT(REFERENCE)

RECOMMENDED THICKNESS OF METAL MASK : t=0.08mm
 RECOMMENDED OPEN APERTURE RATIO OF METAL MASK : 80%



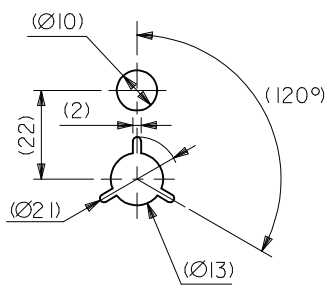
MATED CONDITION

REVISED EC NO: J2015-0816 DRWN:MYOSHIDA 2014/12/16 CHKD:RTAKEUCHI 2014/12/16 APPR:KMORIKAWA 2014/12/17	GENERAL TOLERANCES (UNLESS SPECIFIED)		DIMENSION STYLE MM ONLY	SCALE 20:1	DESIGN UNITS METRIC	THIRD ANGLE PROJECTION
	10 UNDER	±0.2	DRAWN BY HON001	DATE 2014/02/24	TITLE 0.35 BB CONN. H=0.6 SSB6 REC. ASSY	
	10 OVER 30 UNDER	±0.25	CHECKED BY RTAKEUCHI	DATE 2014/02/24		
	30 OVER	±0.3	APPROVED BY KMORIKAWA	DATE 2014/04/17		
ANGULAR	±1 °	MATERIAL NO. SEE SHEET 1	DOCUMENT NO. SD-504618-001	SHEET NO. 2 OF 2		
DRAFT WHERE APPLICABLE MUST REMAIN WITHIN DIMENSIONS		SIZE A3	THIS DRAWING CONTAINS INFORMATION THAT IS PROPRIETARY TO MOLEX INCORPORATED AND SHOULD NOT BE USED WITHOUT WRITTEN PERMISSION			



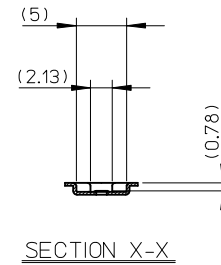
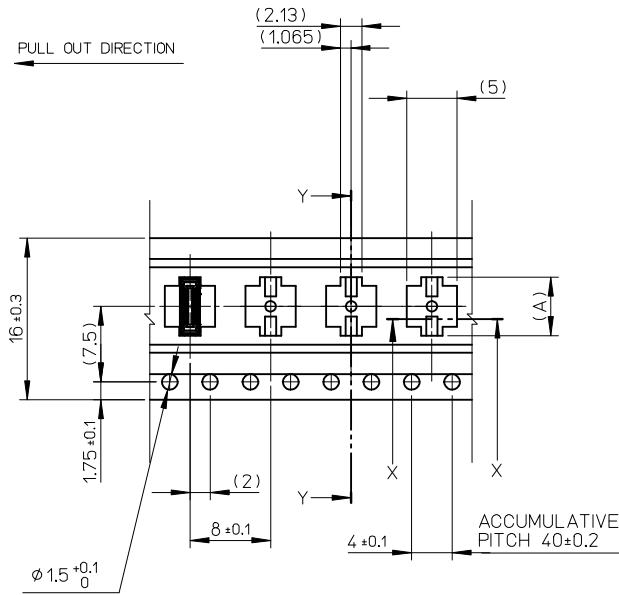
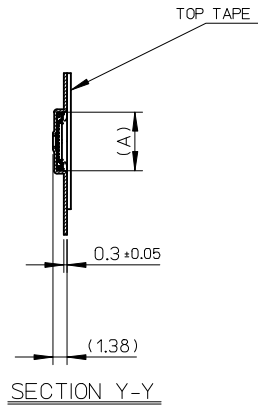
NOTES

1. RE DETAILED DIMENSION, SEE PRODUCT DRAWING.
2. NUMBER OF CONNECTORS : 3000PCS/REEL
3. LEAD TAPE LENGTH
4. TOP TAPE PEEL FORCE IS DEFINED BY IEC60286-3.
5. MATERIAL
 CARRIER TAPE : POLYSTYRENE
 TOP TAPE : PET , OTHER
 REEL : POLYSTYRENE (PS) <RECYCLE MATERIAL CONTAINED>
6. ELV AND RoHS COMPLIANT



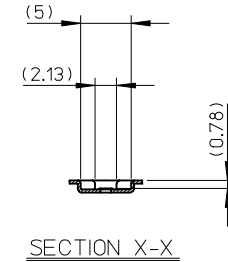
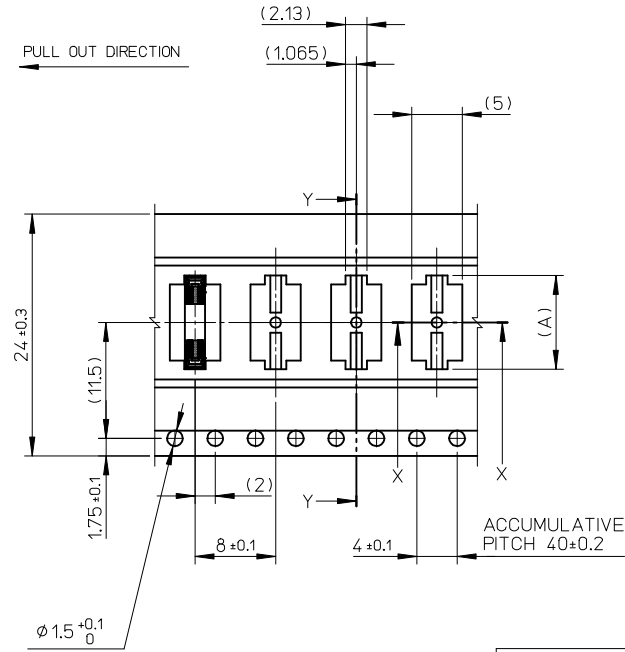
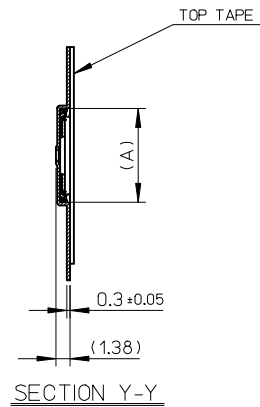
DETAIL "D"

REVISED EC NO: J2015-0816 DRWN:MYOSHIDA 2014/12/16 CHKD:RTAKEUCHI 2014/12/16 APPR:KMORIKAWA 2014/12/17	GENERAL TOLERANCES (UNLESS SPECIFIED)		DIMENSION STYLE MM ONLY		SCALE 1:5	MODEL NO. 504618-**-10	DESIGN UNITS METRIC	THIRD ANGLE PROJECTION
	10 UNDER	± 0.2	DRAWN BY HON001	DATE 2014/02/24	TITLE 0.35 BB CONN. H=0.6 SSB6 REC. ASSY EMBSTP PKG			
	10 OVER 30 UNDER	± 0.25	CHECKED BY RTAKEUCHI	DATE 2014/02/24				
	30 OVER	± 0.3	APPROVED BY KMORIKAWA	DATE 2014/04/17				
ANGULAR ± 1	°	MATERIAL NO. SEE CHART		DOCUMENT NO. SD-504618-002		SHEET NO. 1 OF 3		
DRAFT WHERE APPLICABLE MUST REMAIN WITHIN DIMENSIONS		THIS DRAWING CONTAINS INFORMATION THAT IS PROPRIETARY TO MOLEX INCORPORATED AND SHOULD NOT BE USED WITHOUT WRITTEN PERMISSION						



16	21.4	17.4	7.54	504618-3010	o	---	30		
			6.49	504618-2410	o	---	24		
			5.79	504618-2010	o	---	20		
			5.44	504618-1810	---	---	18		
			5.09	504618-1610	---	---	16		
			4.39	504618-1210	---	---	12		
			4.04	504618-1010	o	---	10		
3.34	504618-0610	---	---	6					
キャリアテープ幅 CARRIER TAPE WIDTH			C	B	(A)	EMBOSSED TAPE PACKAGE	HIGH VOL. TOOL	LOW VOL. TOOL	CIRCUIT
			ORDER NO.		SAMPLE PREPARATION o : TOOLED Δ : WORK IN PROCESS --- : TOOLING TO BE CONFIRMED				

REVISED EC NO: J2015-0816 DRWN:MYOSHIDA 2014/12/16 CHKD:RTAKEUCHI 2014/12/16 APPR:KMORIKAWA 2014/12/17	DESCRIPTION REV	GENERAL TOLERANCES (UNLESS SPECIFIED)		DIMENSION STYLE MM ONLY		SCALE 2:1	DESIGN UNITS METRIC	THIRD ANGLE PROJECTION		
		10 UNDER	± 0.2	DRAWN BY HON001	DATE 2014/02/24	TITLE 0.35 BB CONN. H=0.6 SSB6 REC. ASSY EMBSTP PKG				
		10 OVER 30 UNDER	± 0.25	CHECKED BY RTAKEUCHI	DATE 2014/02/24					
		30 OVER	± 0.3	APPROVED BY KMORIKAWA	DATE 2014/04/17					
ANGULAR ± 1 °		DRAFT WHERE APPLICABLE MUST REMAIN WITHIN DIMENSIONS		MATERIAL NO. SEE CHART		DOCUMENT NO. SD-504618-002	SHEET NO. 2 OF 3			



24	29.4	25.4	14.54	504618-7010	o	---	70		
			13.49	504618-6410	o	---	64		
			12.79	504618-6010	---	---	60		
			12.44	504618-5810	---	---	58		
			11.74	504618-5410	---	---	54		
			11.04	504618-5010	o	---	50		
			10.69	504618-4810	---	---	48		
			9.46	504618-4210	---	---	42		
			9.29	504618-4010	o	---	40		
			8.94	504618-3810	---	---	38		
8.24	504618-3410	o	---	34					
キャリアテープ幅 CARRIER TAPE WIDTH			C	B	(A)	EMBOSSED TAPE PACKAGE	HIGH VOL. TOOL	LOW VOL. TOOL	CIRCUIT
			ORDER NO.	SAMPLE PREPARATION o : TOOLED Δ : WORK IN PROCESS --- : TOOLING TO BE CONFIRMED					

REVISED EC NO: J2015-0816 DRWN: MYOSHIDA 2014/12/16 CHKD: RTAKEUCHI 2014/12/16 APPR: KMORIKAWA 2014/12/17	DESCRIPTION GENERAL TOLERANCES (UNLESS SPECIFIED) DIMENSION STYLE MM ONLY SCALE 2:1 DESIGN UNITS METRIC THIRD ANGLE PROJECTION	10 UNDER ± 0.2 10 OVER 30 UNDER ± 0.25 30 OVER ± 0.3 ANGULAR ± 1° DRAFT WHERE APPLICABLE MUST REMAIN WITHIN DIMENSIONS	DRAWN BY HON001 DATE 2014/02/24 CHECKED BY RTAKEUCHI DATE 2014/02/24 APPROVED BY KMORIKAWA DATE 2014/04/17 MATERIAL NO. SEE CHART	TITLE 0.35 BB CONN. H=0.6 SSB6 REC. ASSY EMBSTP PKG molex DOCUMENT NO. SD-504618-002 SHEET NO. 3 OF 3
		THIS DRAWING CONTAINS INFORMATION THAT IS PROPRIETARY TO MOLEX INCORPORATED AND SHOULD NOT BE USED WITHOUT WRITTEN PERMISSION		