

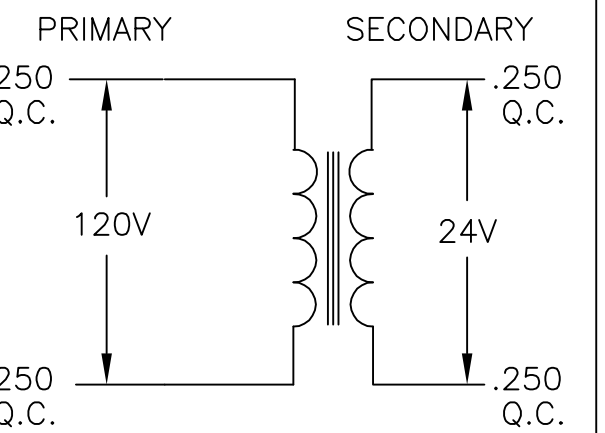
THIS DRAWING IS UNPUBLISHED. RELEASED FOR PUBLICATION
 © COPYRIGHT BY TYCO ELECTRONICS CORPORATION. ALL RIGHTS RESERVED.

LOC	DIST	REVISIONS		
GZ	00	P	LTR	DESCRIPTION
		B		EC 0611-0378-03
				DATE
				15JUL2003
				DWN
				MD
				APVD
				WS

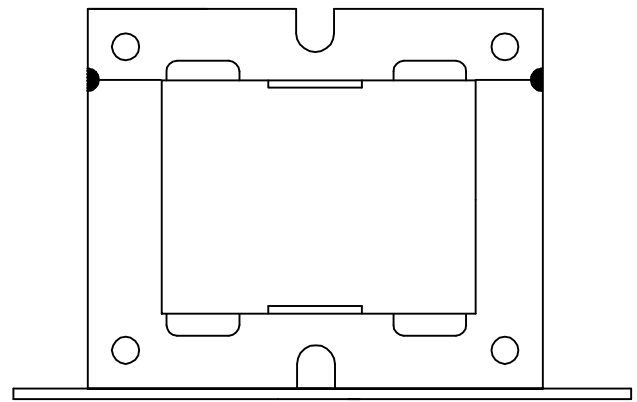
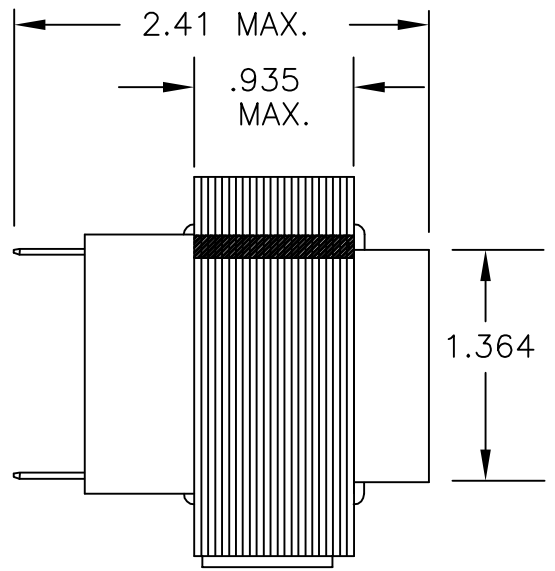
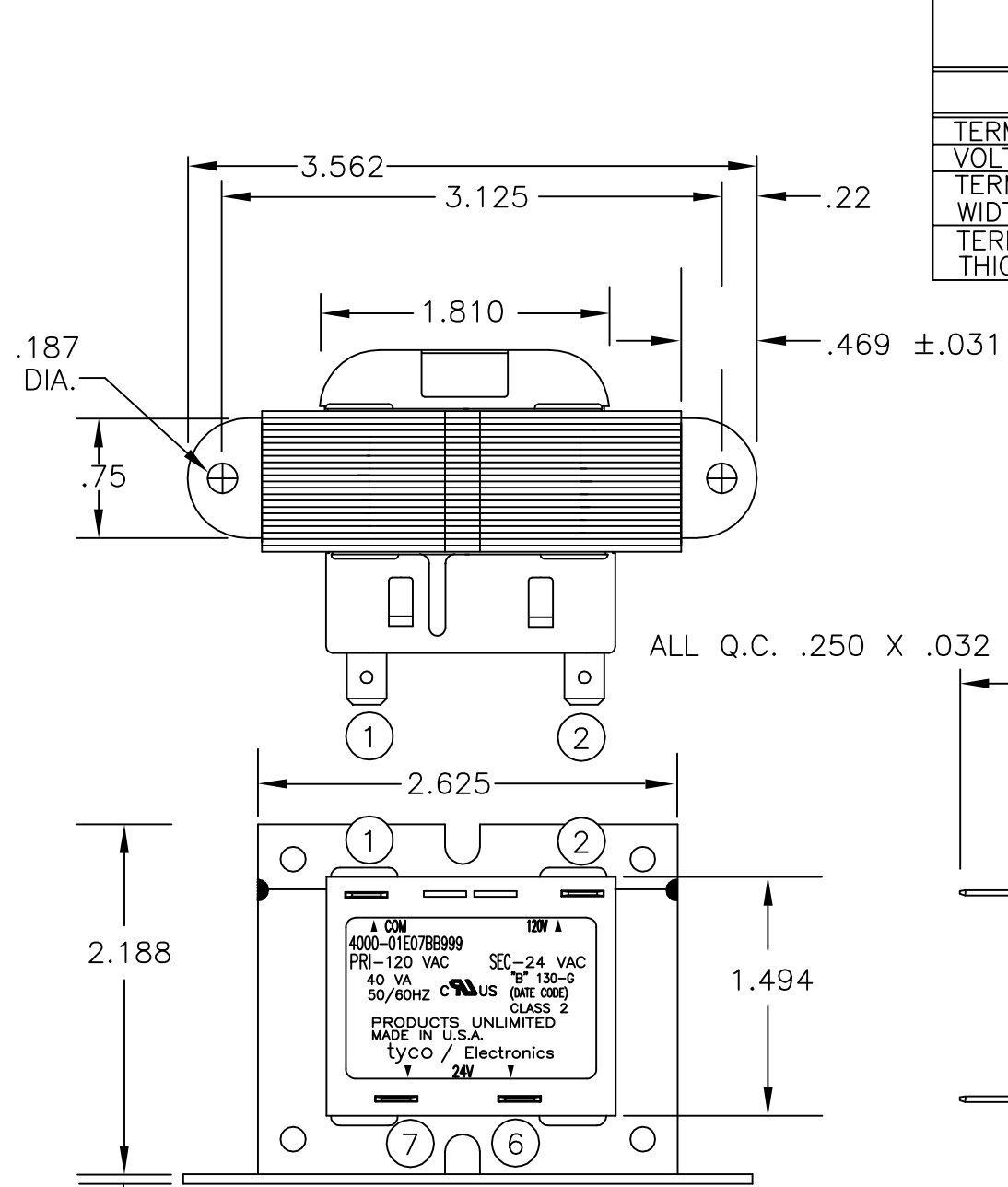
PRIMARY			
TERM NO.	1	2	3
VOLTAGE	COM	120	
TERMINAL WIDTH	.250	.250	
TERMINAL THICKNESS	.032	.032	

NOTES
 1. DIMENSIONS FOR REFERENCE ONLY.
 2. WINDING PROTECTION—INHERENTLY LIMITING

SECONDARY		
TERM NO.	6	7
VOLTAGE	24	VAC
TERMINAL WIDTH	.250	.250
TERMINAL THICKNESS	.032	.032



SCHEMATIC



▲ COM ▲
 4000-01E07BB999 12W ▲
 PRI-120 VAC SEC-24 VAC
 40 VA 50/60HZ CLASS 2
 PRODUCTS UNLIMITED
 MADE IN U.S.A.
 tyco / Electronics
 24V

TYCO PART NUMBER
 2-1611453-2

THIS DRAWING IS A CONTROLLED DOCUMENT.		DWN	4MARCH1997	
		CHK	-	
		APVD	-	
		PRODUCT SPEC	-	
		APPLICATION SPEC	-	
		WEIGHT	-	
		CUSTOMER DRAWING		
DIMENSIONS: INCHES		TOLERANCES UNLESS OTHERWISE SPECIFIED:		
		0 PLC	± -	
		1 PLC	± -	
		2 PLC	± -	
		3 PLC	± -	
		4 PLC	± -	
		ANGLES	± -	
MATERIAL		FINISH		

Tyco Electronics Corporation Harrisburg, PA 17105-3608		NAME	
TRANSFORMER OUTLINE P.U. STOCK		SIZE	CAGE CODE
		A3	00779
		DRAWING NO	RESTRICTED TO
		C=4000-01E07BB999	-
SCALE	SHEET	OF	REV
NTS	1	1	B