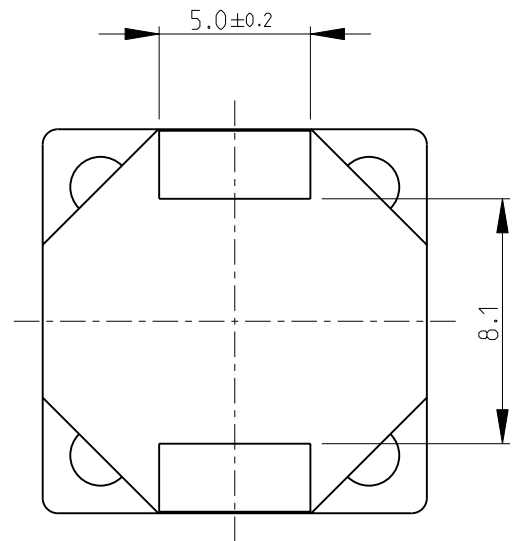
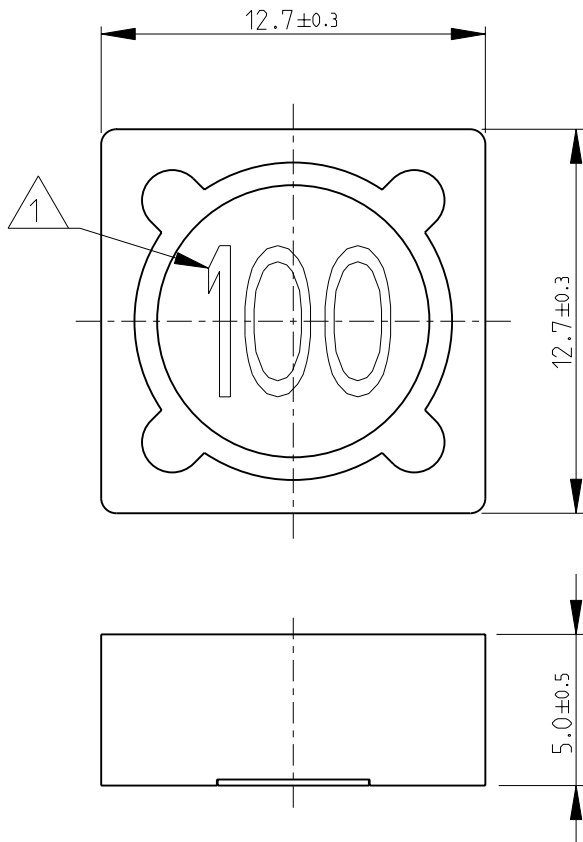
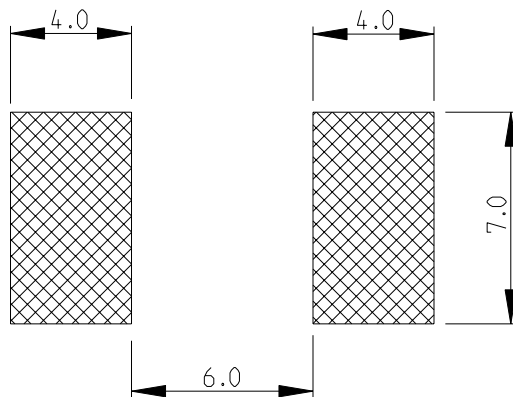


LOC	DIST	REVISIONS			
P	LTR	DESCRIPTION	DATE	DWN	APVD
E	B				
	BB	CHANGE OF MARKING METHOD TO LASER MARKING	27SEP2010	PT	St.P



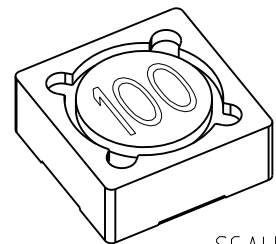
- 1 INDUCTANCE CODE
- 2 FOR FURTHER INFORMATION SEE DATA SHEET FOR 3631 SERIES-SHIELDED SMD POWER INDUCTORS

RECOMMENDED LAND PATTERN



RoHS Compliant

SERIES 3631A AS SHOWN



SCALE 2:1

2008

RELEASED FOR PUBLICATION

THIS DRAWING IS UNPUBLISHED.

© COPYRIGHT 2008 BY TYCO ELECTRONICS CORPORATION. ALL RIGHTS RESERVED.

DIMENSIONS: mm	DWN	14-NOV-08	MATERIAL	-	FINISH	-
	CHK	14-NOV-08	Tyco Electronics Corporation Dorcan, Swindon, SN3 5HH			
TOLERANCES UNLESS OTHERWISE SPECIFIED:	APVD	14-NOV-08				
	0 PLC ±0.2	PRODUCT SPEC	SIZE	CAGE CODE	DRAWING NO	RESTRICTED TO
1 PLC ±0.1	APPLICATION SPEC	-	A 4	00779	© = 1676942	-
2 PLC ±	WEIGHT	-	CUSTOMER DRAWING			SCALE 4:1
3 PLC ±						SHEET 1 OF 1
4 PLC ±						REV BB
ANGLES ±5°						