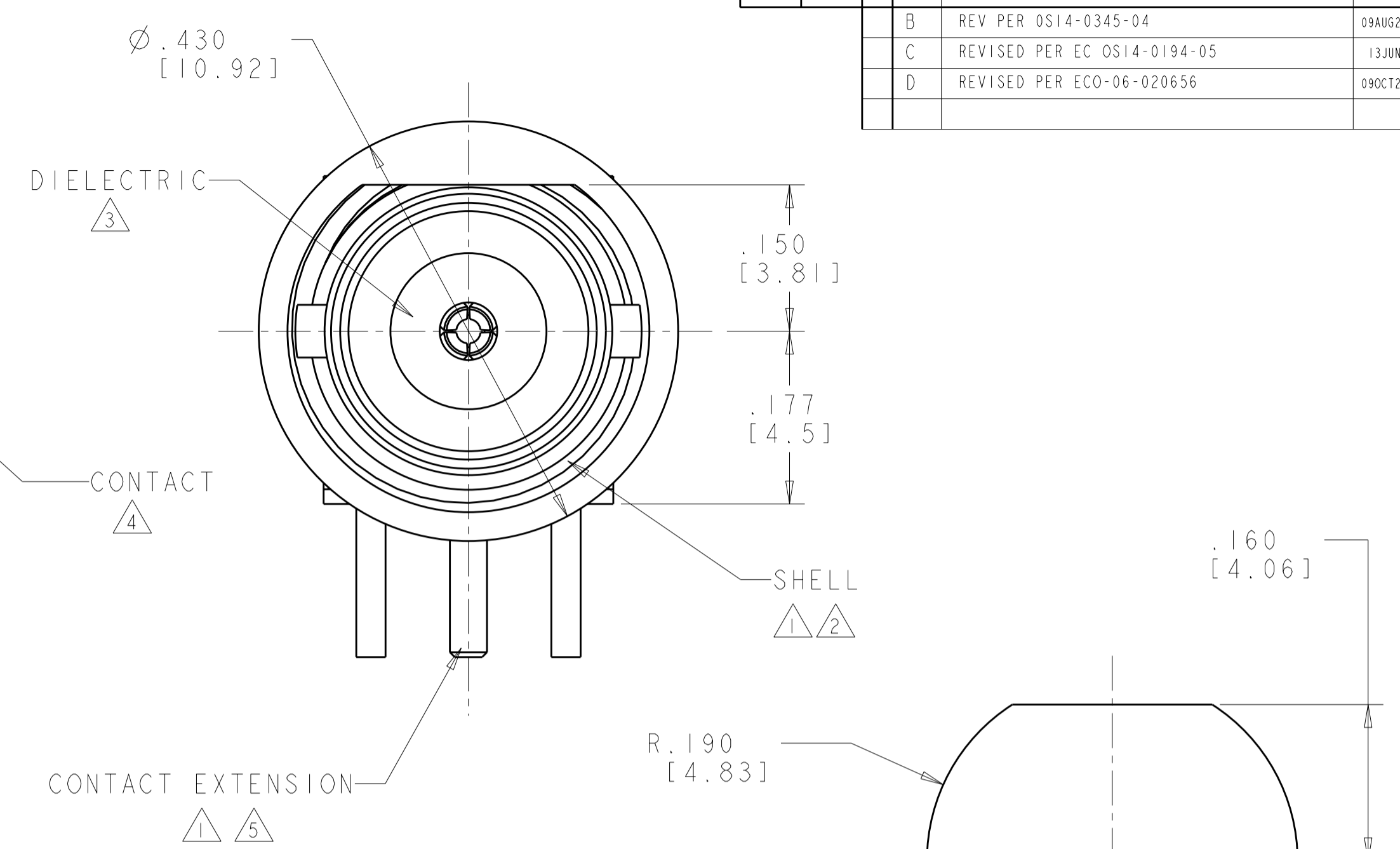
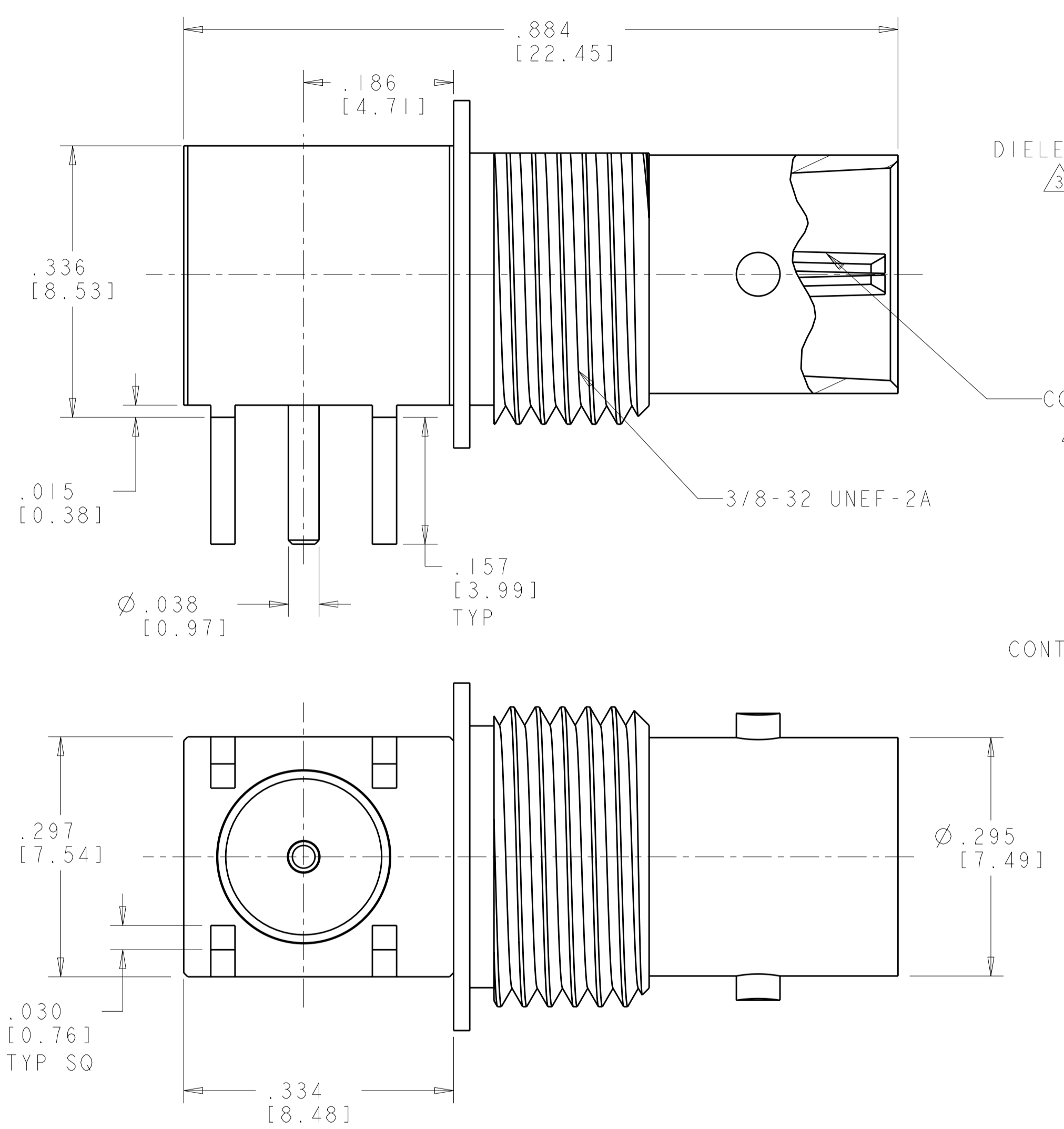
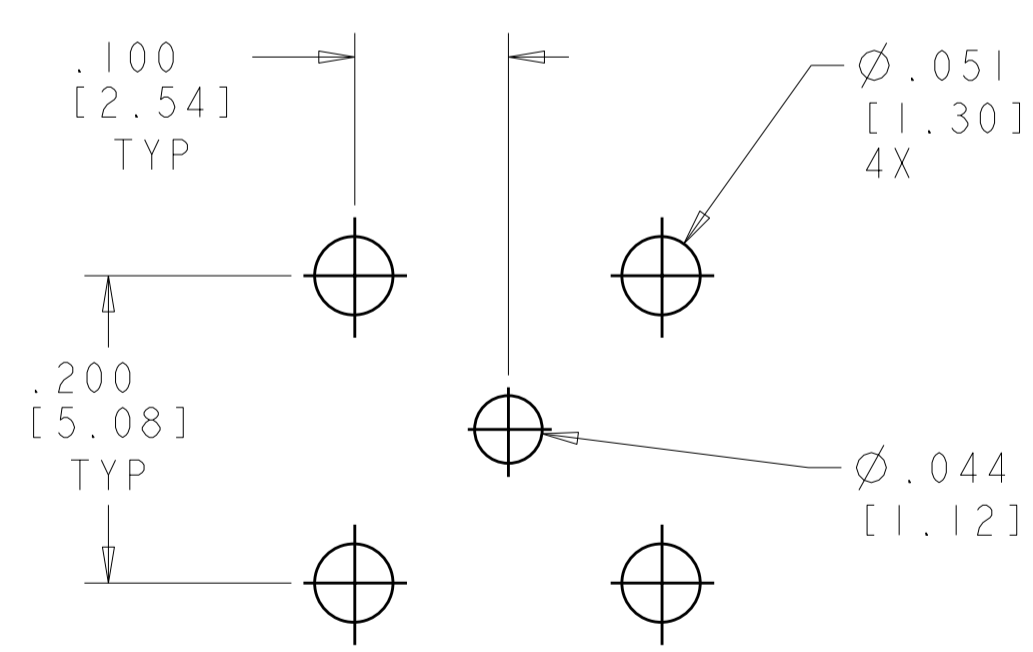


LOC	DIST	REVISIONS			
P	LTR	DESCRIPTION	DATE	DWN	APVD
AJ	16				
B		REV PER OS14-0345-04	09AUG2004	KW	KW
C		REVISED PER EC OS14-0194-05	13JUN05	BM	KW
D		REVISED PER ECO-06-020656	09OCT2006	KS	KW



- ① BRASS PER ASTM-B-16
- ② NICKEL PLATE PER QQ-N-290
- ③ PTFE PER ASTM-D-1710
- ④ PHOSPHOR BRONZE PER ASTM-B-139
- ⑤ GOLD PLATE PER ASTM-B488, 75 μ m INCHES [0.0019mm] MINIMUM THICKNESS
- ⑥ GOLD PLATE PER ASTM-B488



RECOMMENDED PANEL CUTOUT TOLERANCE: \pm .003 [0.08]

RECOMMENDED PCB LAYOUT TOLERANCE: \pm .003 [0.08]

⑤	1274629-2
⑥	1274629-1
CONTACT FINISH	PART NUMBER

THIS DRAWING IS A CONTROLLED DOCUMENT FOR TYCO ELECTRONICS CORPORATION. IT IS SUBJECT TO CHANGE AND THE CONTROLLING ENGINEERING ORGANIZATION SHOULD BE CONTACTED FOR THE LATEST REVISION.		DWN K. WEIDNER 30 JUL 2003	Tyco Electronics Harrisburg, PA 17105-3608
DIMENSIONS: INCHES [mm]		CHK G. MICHAEL 08 JAN 2004	
TOLERANCES UNLESS OTHERWISE SPECIFIED:		APVD K. WEIDNER 03 MAR 2004	NAME JACK, R/A, BULKHEAD, PCB, MINI BNC
0 PLC \pm 1 PLC \pm 2 PLC \pm 3 PLC \pm .005 [0.13] 4 PLC \pm ANGLES \pm 2° FINISH		PRODUCT SPEC 108-2159	SIZE A2
MATERIAL		APPLICATION SPEC	CAGE CODE 00779
		WEIGHT	DRAWING NO 1274629
		CUSTOMER DRAWING	RESTRICTED TO
		SCALE 8:1	SHEET 1 OF 1
			REV D