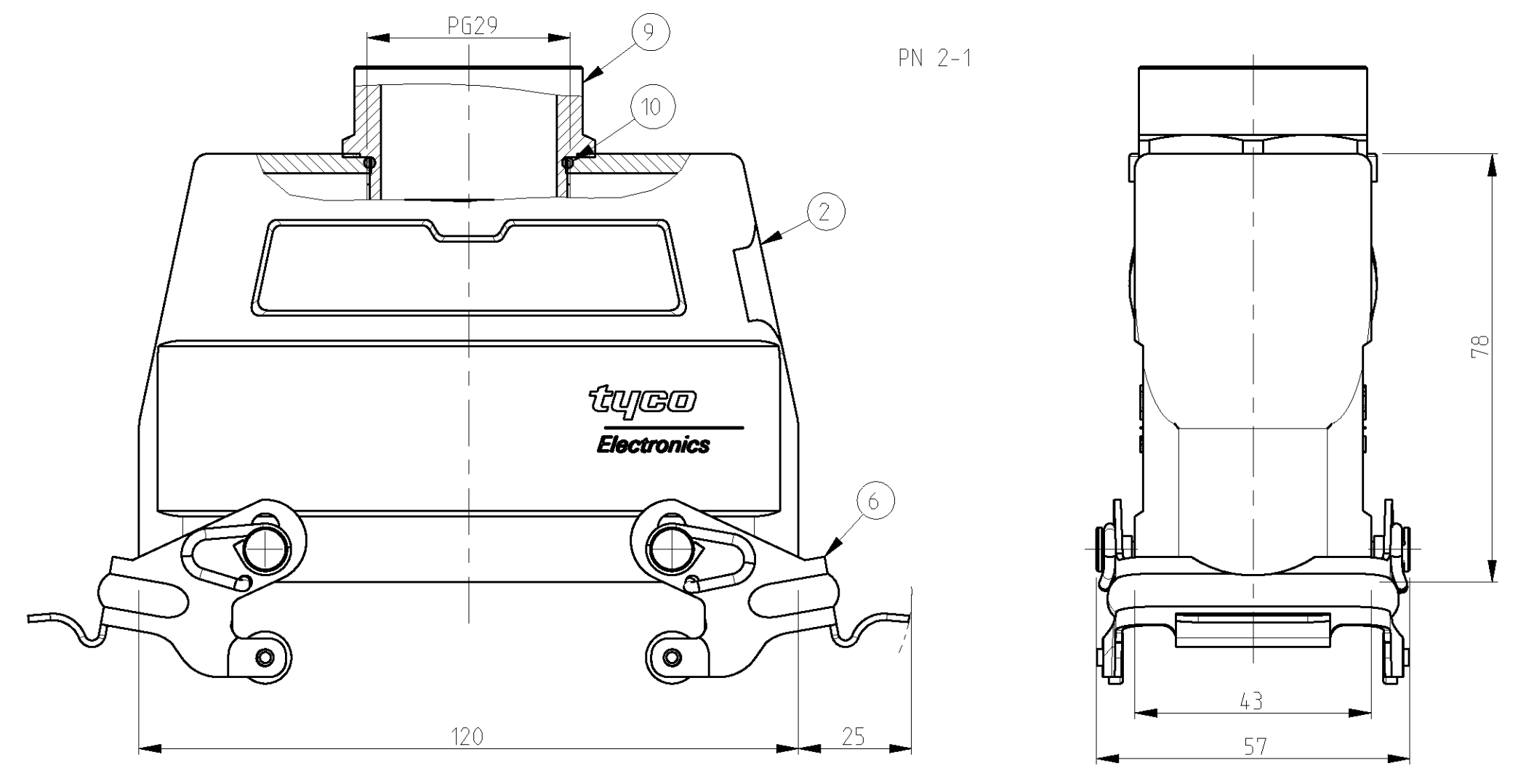
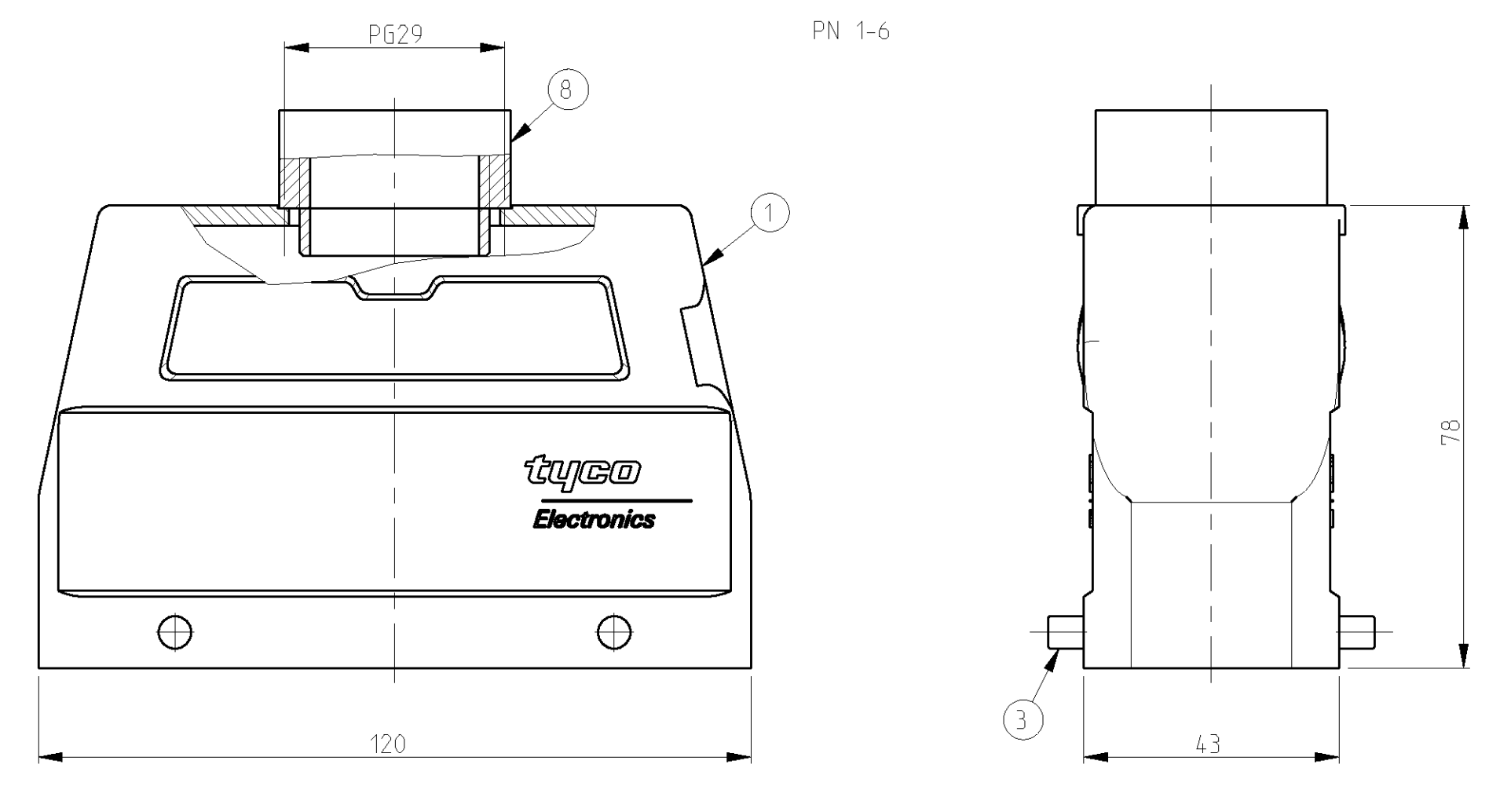
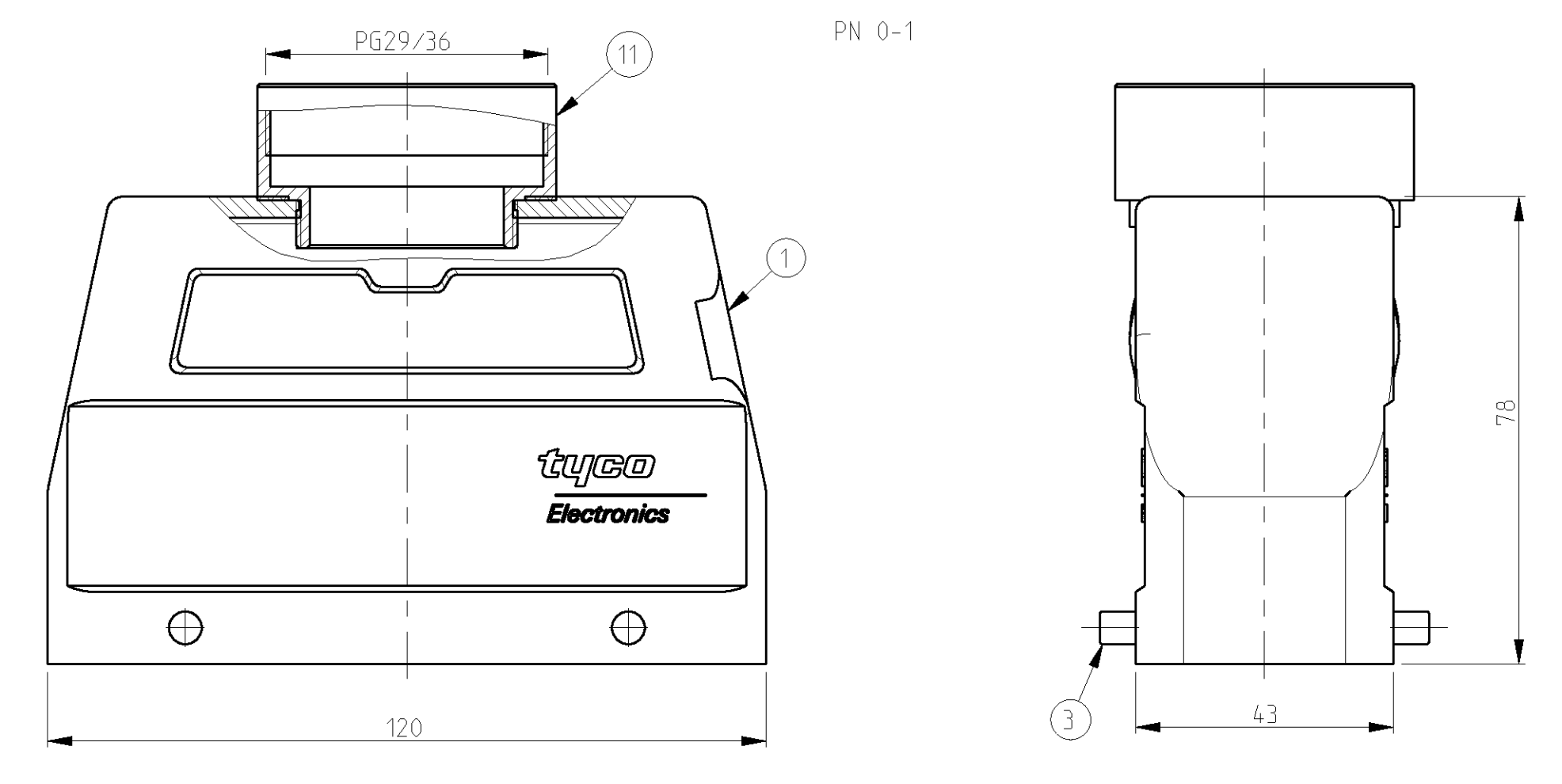
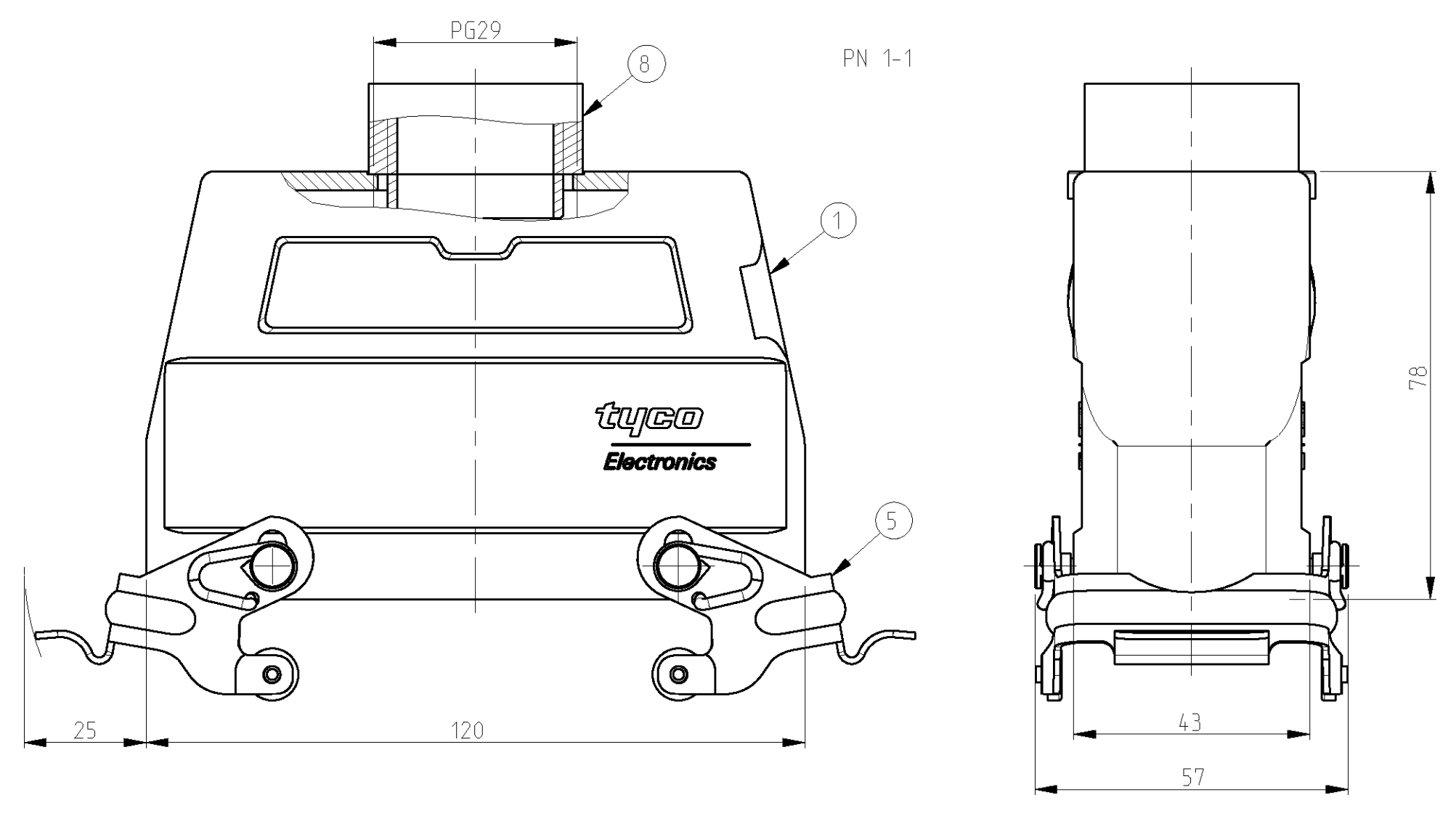
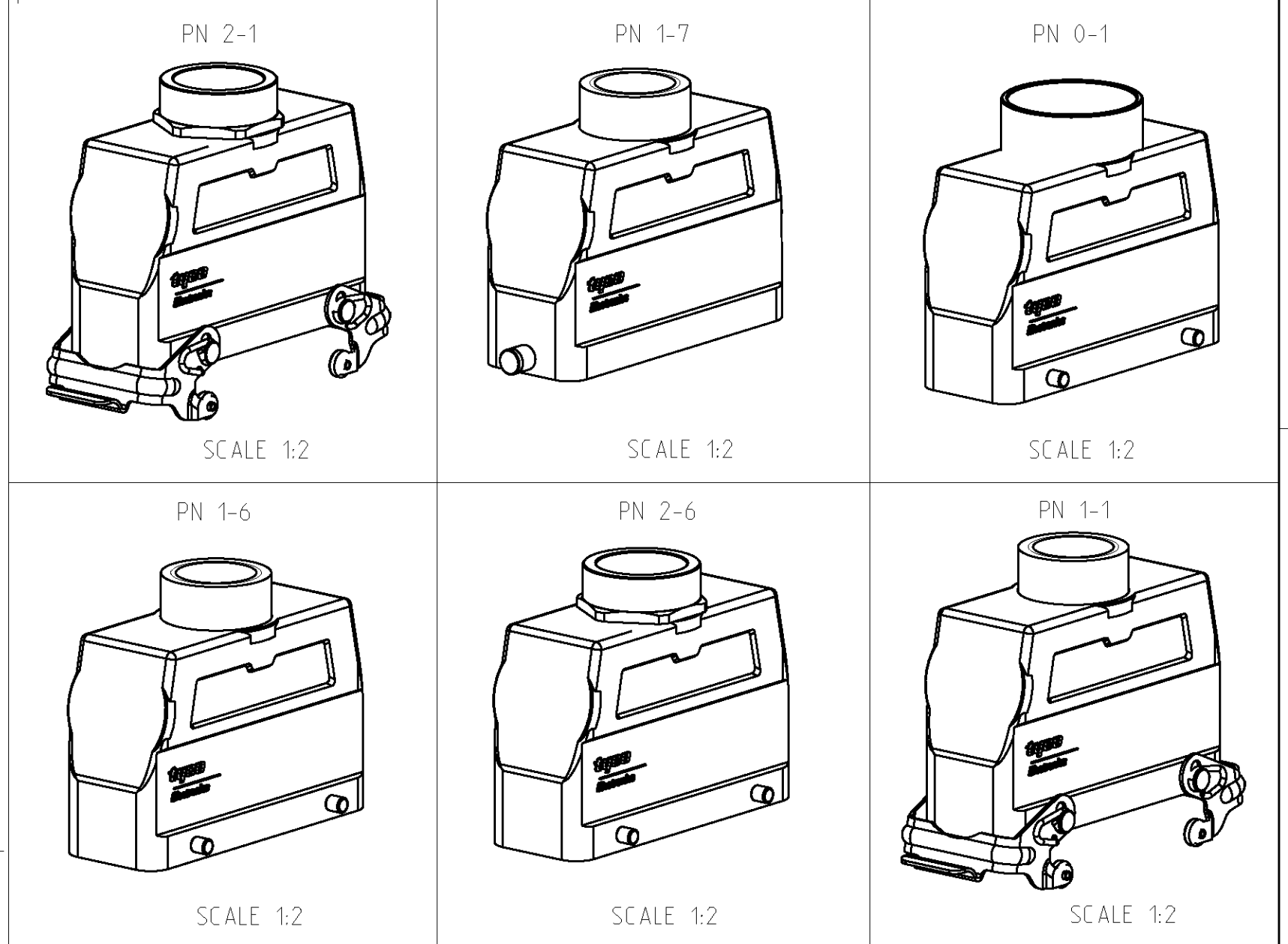
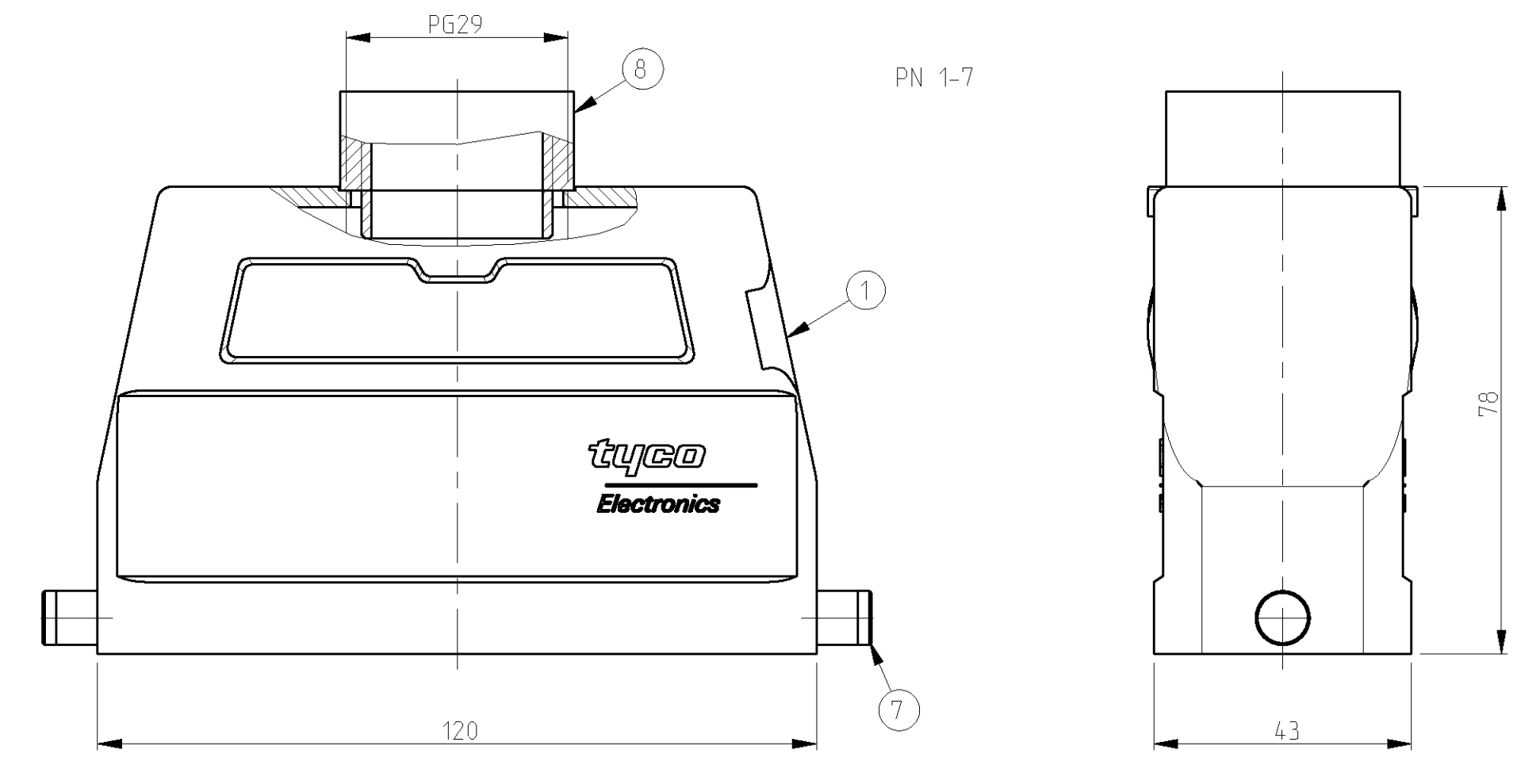
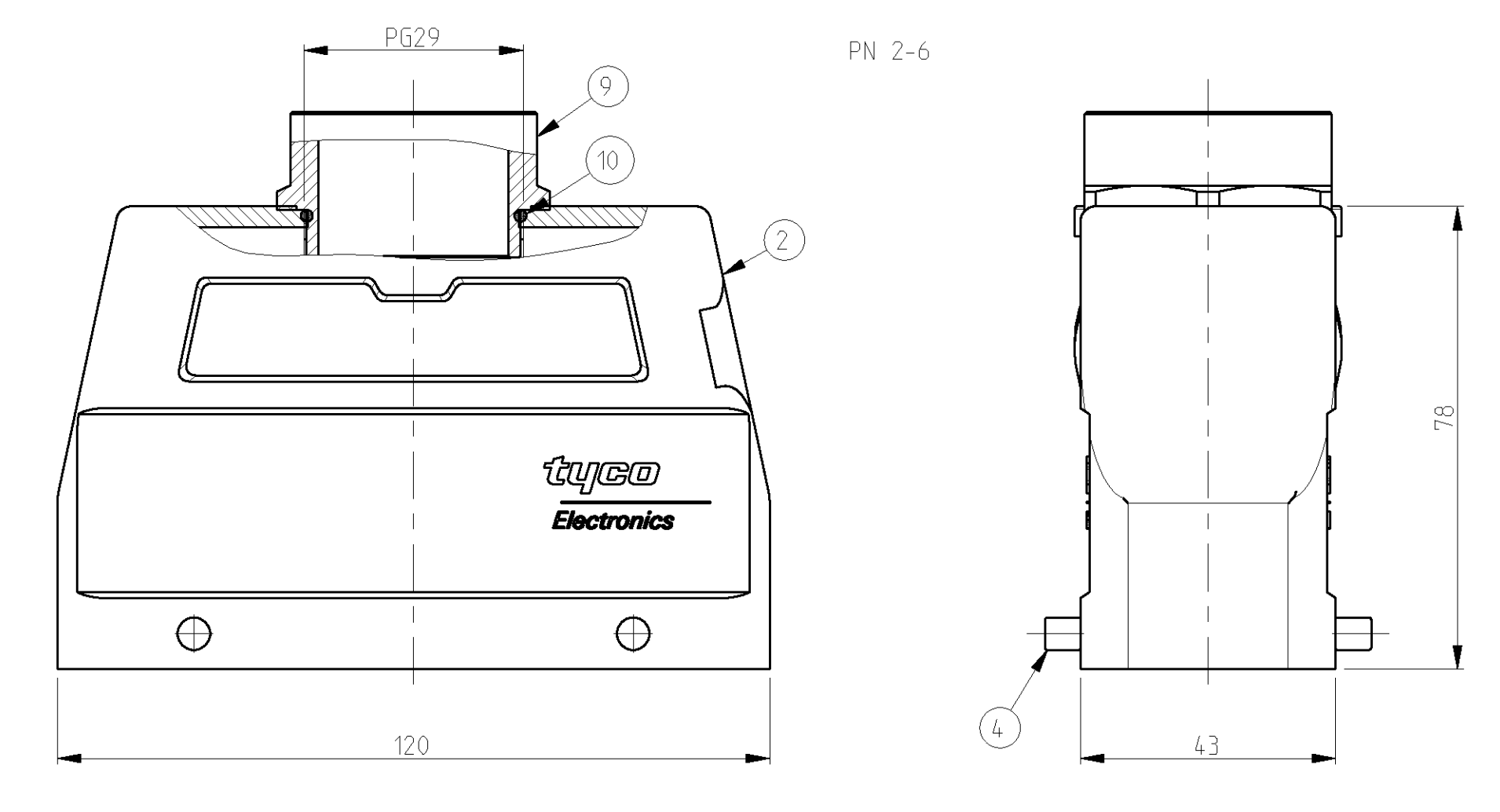


LOC	DIST	REVISIONS			
		REV	DATE	BY	APPV
A1		A3	Released as per ECR-07-030424	17.12.07	SP TS
		A4	REVISED PER ECO-09-027197	08JAN10	KK AEG



- NOTES.
- Material:Housing:Aluminium Diecasting Alloy
 - Surface:Varnish grey
 - Varnish on the inside not necessary
 - Packaging
Quantity 5 Pieces in a box
- ⚠️ OBSOLETE PARTS: OBSOLETE CIS STREAMLINING PER D.RENAUD/D.SINISI



QTY	DESCRIPTION	MATERIAL	SURFACE	COLOR	ITEM NO	REMARKS
1	Extension Pg29/36	Brass	Nickel plated	-	11	
1	O ring	Neoprene	-	Black	10	
1	6-Kt-adaptor round	Brass	Nickel plated	-	9	
1	Cable connection round	Brass	Nickel plated	-	8	
2	LB-Side bolt	Steel	Zinc plated	Blue	7	
2	VS-Locking clip	Stainless steel	-	-	6	
2	VS-Locking clip	Steel	Zinc plated	Blue	5	
4	VS-Clip bolt	Stainless steel	-	-	4	
4	VS-Clip bolt	Steel	Zinc plated	Blue	3	
1	Hood HD.64.Pg.1.29	Aluminium	Aluminium oxide	Black	2	
1	Hood HD.64.Pg.1.29	Aluminium	-	Grey	1	

ORDERING TEXT:
 HD.64.Sto.1.29.Z
 HD-K.64.Sto.1.29.Z
 HD.64.Sto-VS.1.29.Z
 HD-K.64.Sto-VS.1.29.Z
 HD.64.Sto-GR.1.29.Z
 HD.64.Sto.1.29.ERW.29./36

TYCO ELECTRONICS CORPORATION, THE INFORMATION CONTAINED HEREIN IS UNCLASSIFIED EXCEPT WHERE SHOWN OTHERWISE AND IS NOT TO BE RELEASED TO THE PUBLIC WITHOUT THE WRITTEN PERMISSION OF TYCO ELECTRONICS CORPORATION.

DATE: 09.12.1998
 DWG: Schneider
 APPV: Schwieger

Tyco Electronics Tyco Electronics AMP GmbH
 0-53819,Neunkirchen,Germany

PRODUCT SPEC: Hood
 HD.64.Sto.1.29.Z

SIZE: A1 | 00779 | C=1103343 | SHEET: 1 OF 1 | REV: A4

CUSTOMER DRAWING SCALE: 1:1