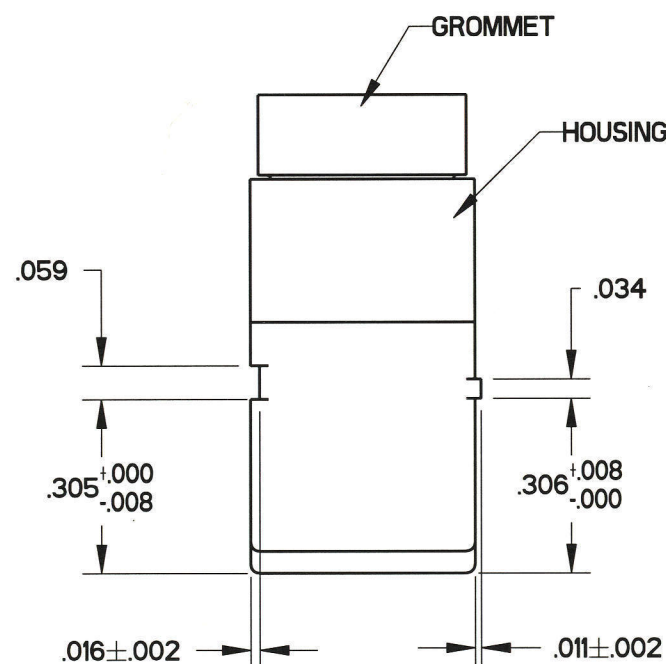
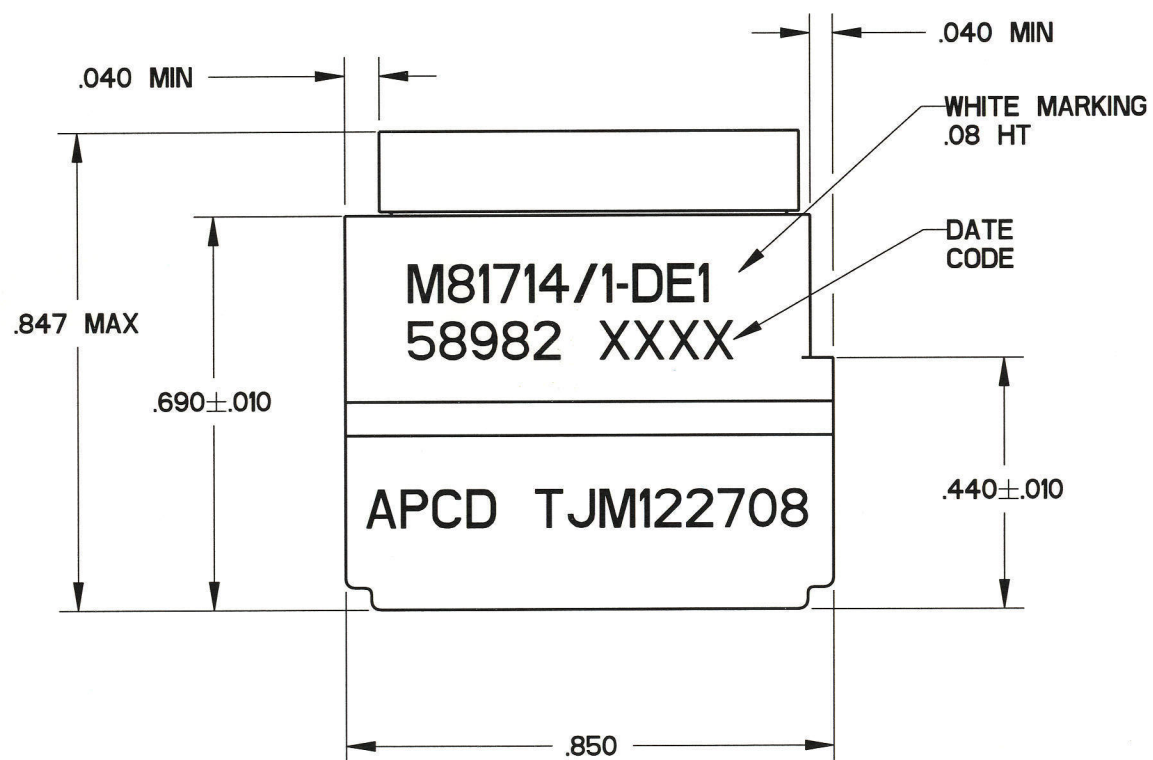
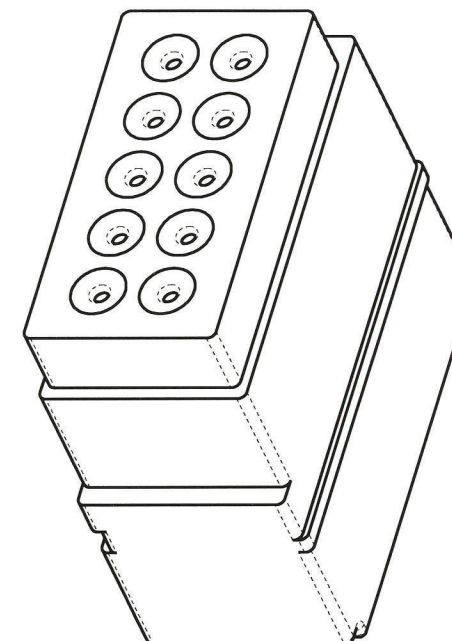
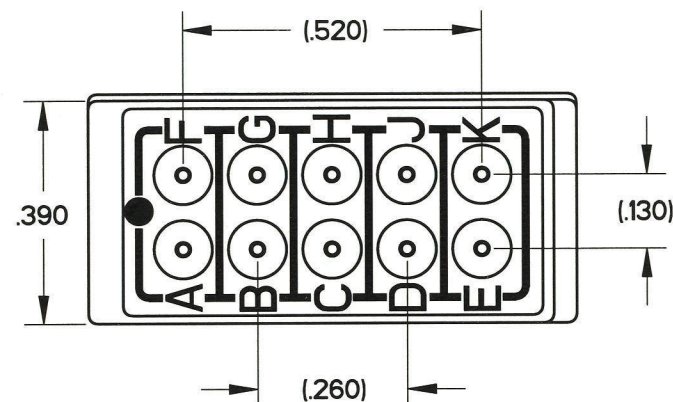


| REV | ECN | APP'D |
|-----|------|------------|
| - | 5814 | ST 4-13-06 |



- NOTES:
- PERFORMANCE:
 - A) MEETS PERFORMANCE AND ENVIRONMENTAL REQUIREMENTS OF MIL-T-81714/1
 - B) MODULES ARE TO BE MOUNTED INTO RACK ASSEMBLY M81714/5 OR/16 OR COMMERCIAL EQUIVALENT.
 - C) DIELECTRIC WITHSTANDING VOLTAGE: 1500 VRMS AT SEA LEVEL, 200 VRMS AT 100,000 FEET.
 - D) OPERATING TEMPERATURE: -65 C TO 200 C.
 - E) CURENT RATING: 5 AMPS
 - F) VIBRATION AND SHOCK: MIL-T-81714 PARAGRAPH 3.5.5 AND 3.5.8
 - MATERIALS:
 - A) HOUSING - POLYETHERIMIDE, COLOR: BLACK.
 - B) GROMMET - SILICONE ELASTOMER, COLOR: BLUE
 - C) INTERNAL CONTACTS - COPPER ALLOY, GOLD PLATED
 - D) CONTACT RETAINERS - STAINLESS STEEL.

| APCD P/N | SUPPLIED | | | | MARKING | | CLASS | |
|-----------|----------|--------------|-----------|------|--------------|-----------|--------------|---|
| | PINS | | PLUGS | | APCD QPL NO. | MIL. NO | | |
| | QTY. | MIL. P/N | APCD P/N | QTY. | APCD P/N | | | |
| TJM122608 | -- | -- | -- | -- | -- | TJM122708 | M81714/1-DE1 | D |
| TJM122708 | 11 | M39029/1-100 | CNP068000 | 2 | CNA032401 | | | |

| | | | | | | | | |
|---|---|-----------------------|--|---------------------------------|--|------------------|-----------------------------|--------------|
| DIMENSIONS ANSI Y14.5M UNITS: INCHES Pro/E FILE | TOLERANCES .XX ±0.01 .XXX ±0.005 ANGLES ±2.0° | PROJECTION | Amphenol Pcd SPECIFICATION DRAWING | | TITLE TERMINAL JUNCTION MODULE SZ 22 FEEDBACK, DE1 | | | |
| | | | DRWN A. SWEEZEY 03/09/06 | ENGR R. SWAINE 03/01/06 | | SIZE B | DWG NO. TJM122608 | REV - |
| ORIGINAL | THIS DOCUMENT CONTAINS PROPRIETARY INFORMATION WHICH IS THE CONFIDENTIAL PROPERTY OF AMPHENOL PCD INC., PEABODY, MA | | | APPD <i>Trade TR 4-13-06</i> | | CODE: 58982 | SCALE: 3:1 | SHEET 1 OF 1 |

TJM122608

TJM122608