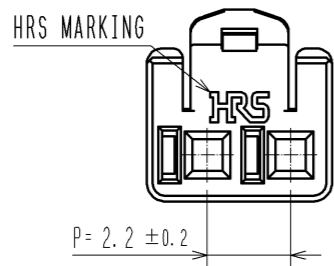
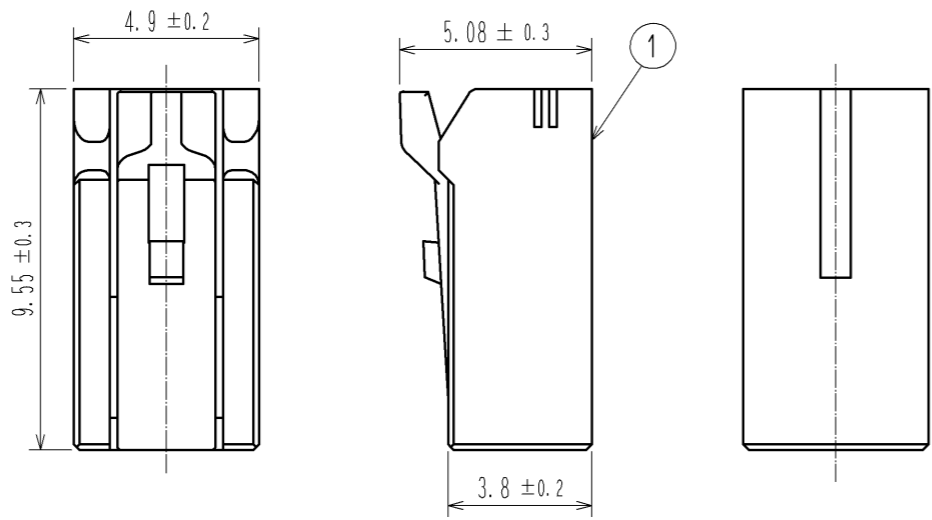
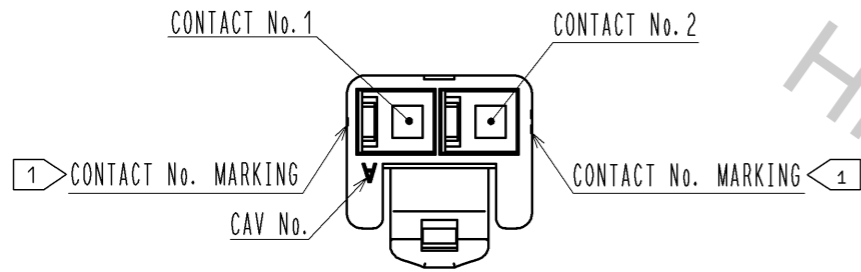
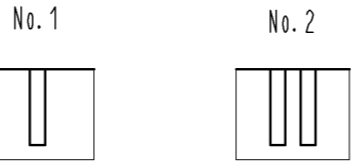
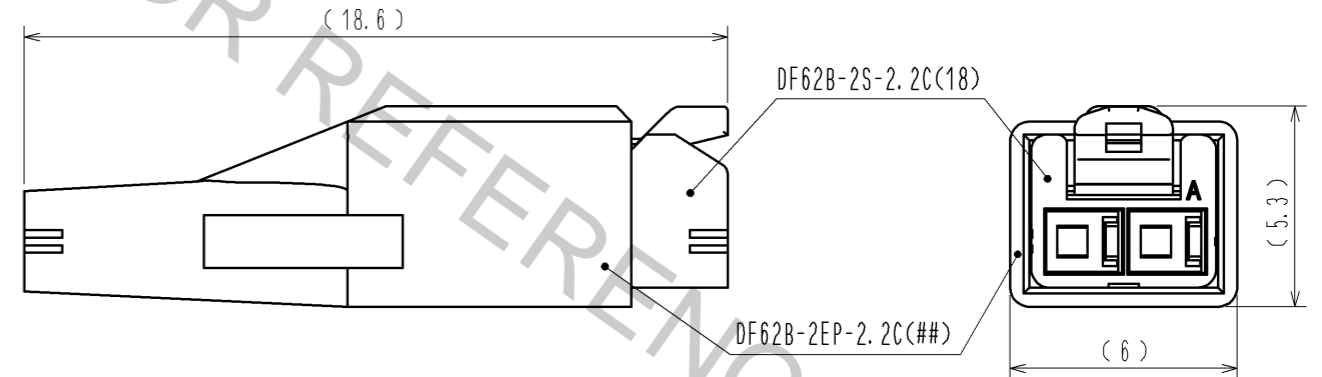


1 FIGURE-1 CONTACT No. MARKING (10:1)



MATING FIGURE



- NOTE. 1 MARKINGS AT THE INDICATED POSITIONS ARE CONTACT NO. MARKING. AND SHAPES ARE SHOWN IN FIGURE-1.  
 2. PER PACK : 100 PIECES.  
 3. THE DIMENSIONS IN PARENTHESIS ARE FOR REFERENCE.

NO.		MATERIAL		FINISH . REMARKS		1	PBT	UL94V-0 (RED)
UNITS mm		SCALE 5 : 1		COUNT		DESIGNED		CHECKED
HRS		HIROSE ELECTRIC CO., LTD.		APPROVED : KI. AKIYAMA		13. 09. 11		DRAWING NO. EDC3-351955-02
				CHECKED : OM. MIYAMOTO		13. 09. 11		PART NO. DF62B-2S-2. 2C(18)
				DESIGNED : TH. YOSHIZAWA		13. 09. 11		CODE NO. CL544-0551-0-18
				DRAWN : MI. SAKIMURA		13. 09. 06		1/1