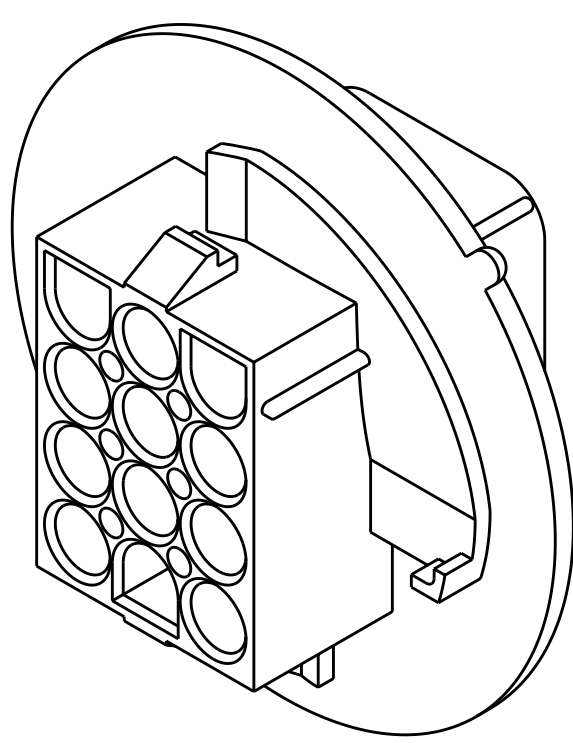
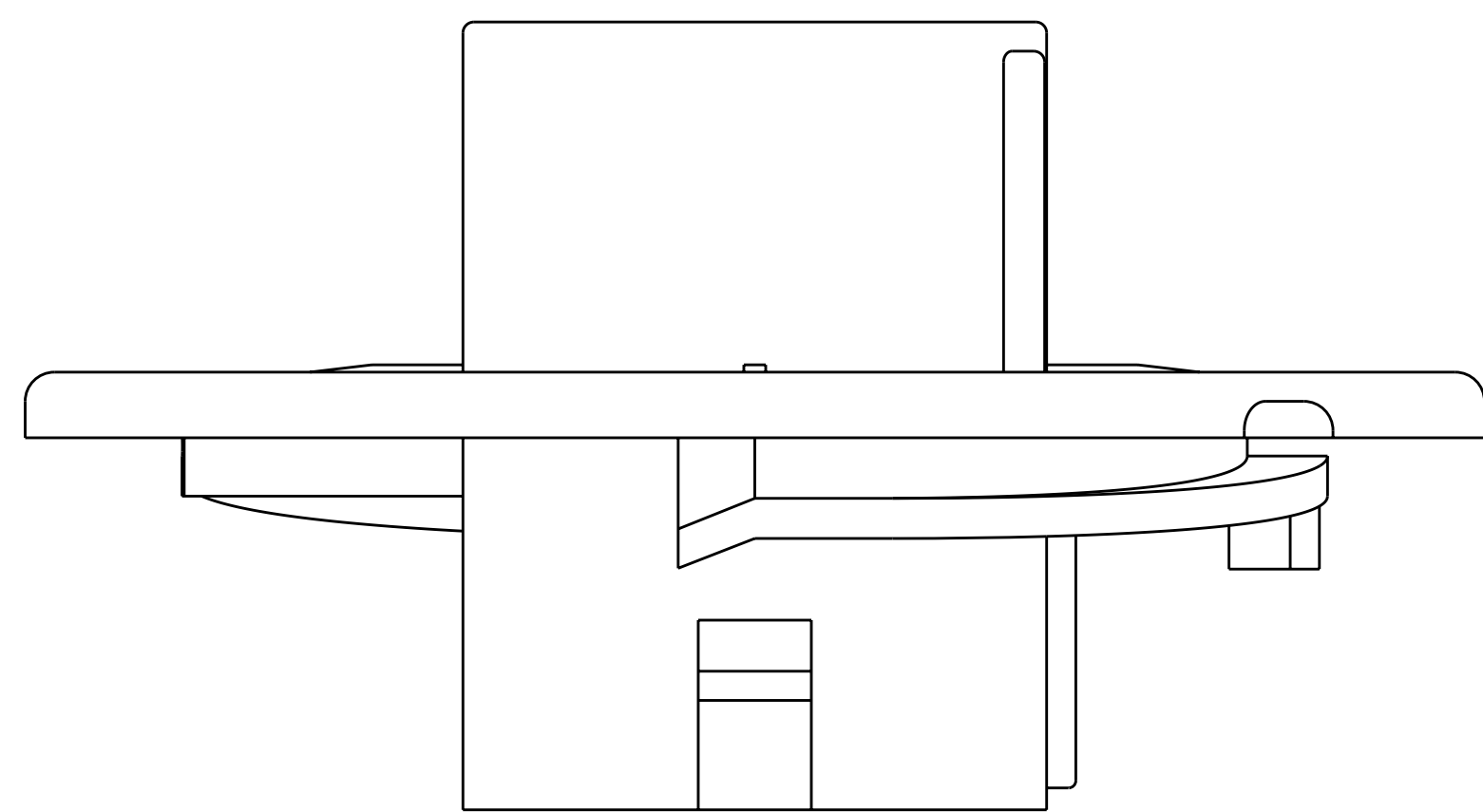
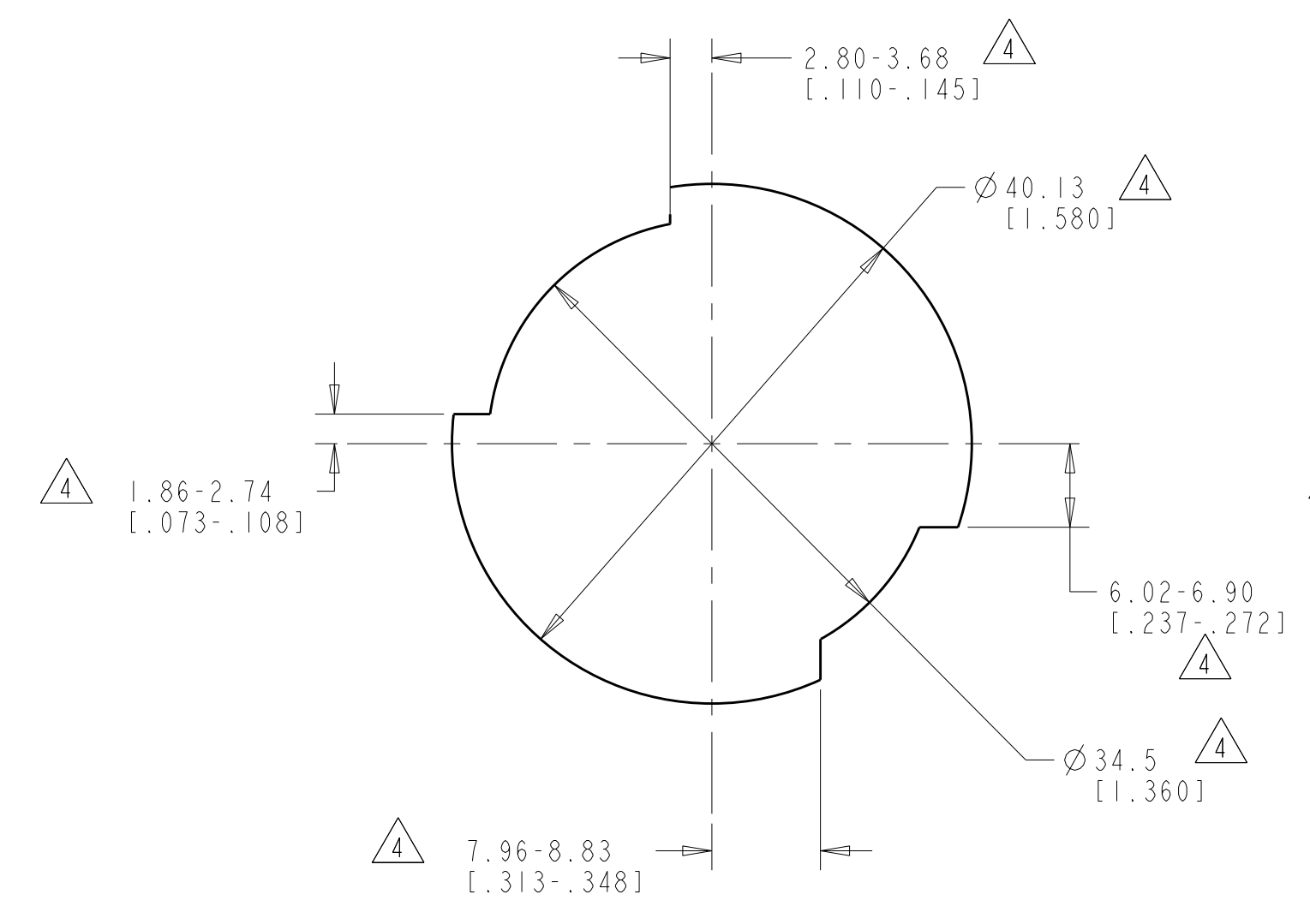


LOC	DIST	REV	DATE	DWN	APVD
CM	00	F	03MAR2011	HMR	TM
		DESCRIPTION			
		REVISED PER ECR-10-022954			

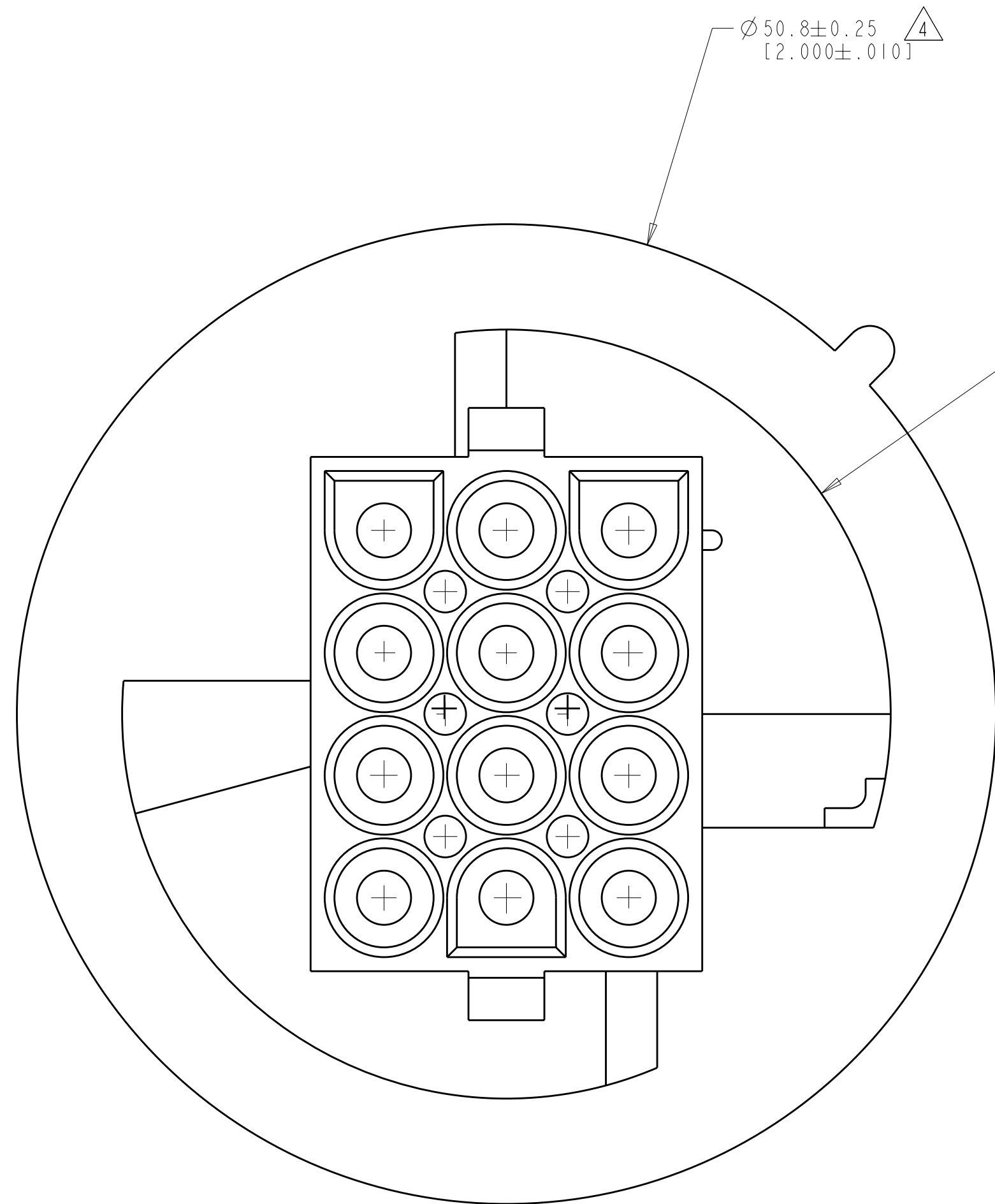


3-DIMENSIONAL MODEL  
SCALE 2:1

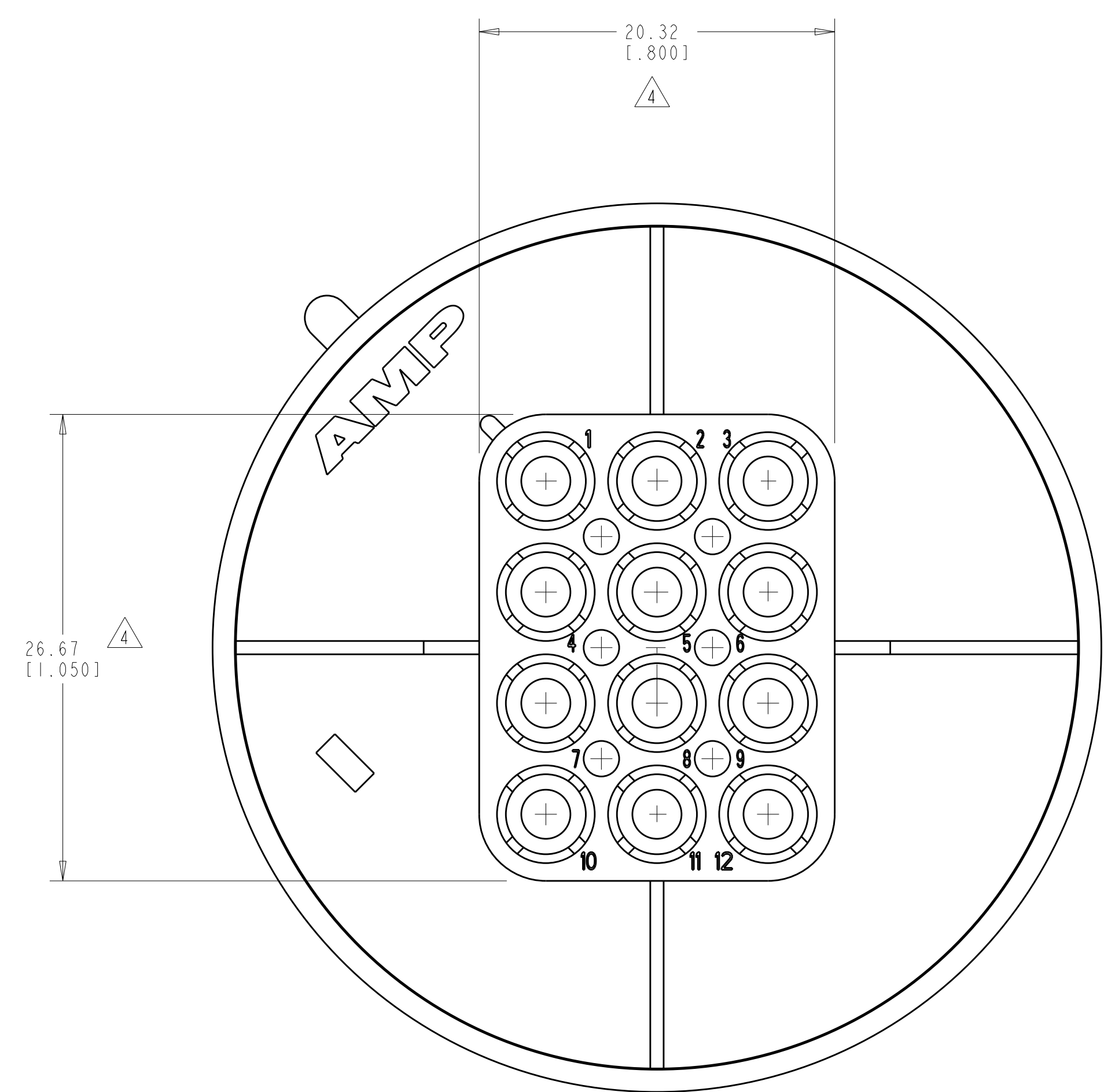
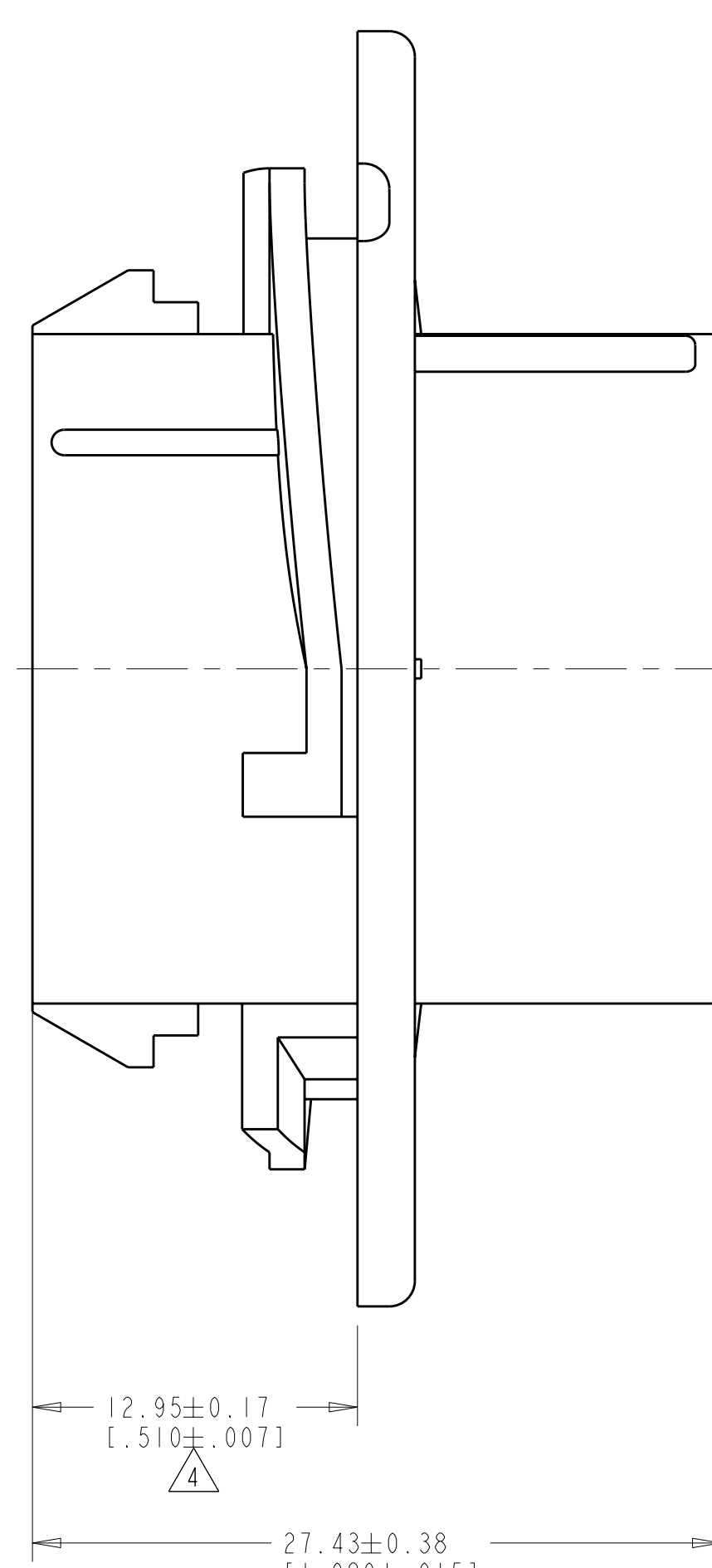


RECOMMENDED CUT OUT  
SCALE 2:1

1. MATES WITH APPROPRIATE UNIVERSAL MATE-N-LOK™ PLUG.
  2. RECOMMENDED PANEL THICKNESS 0.76 - 2.29 [0.030 - .090].
  3. PANEL MUST BE PUNCHED SO THAT THE HOUSING ENTERS THE PANEL IN THE SAME DIRECTION AS THE PUNCH.
- △ DIMENSIONS INDICATED ARE REFERENCE. ADDITIONAL GROWTH DUE TO SUBSEQUENT MOISTURE ABSORPTION MAY OCCUR.



R19.94 [0.785]  
2 PLC



26.67 [1.050]

BLACK	1-794762-9
GRAY	1-794762-8
BLUE	1-794762-6
GREEN	1-794762-5
YELLOW	1-794762-4
ORANGE	1-794762-3
RED	1-794762-2
BROWN	1-794762-1
RED	794762-3
NATURAL	794762-1
COLOR	PART NUMBER

SUOERSEDED BY 794762-3

DIMENSIONS: mm [ INCHES ]		TOLERANCES UNLESS OTHERWISE SPECIFIED: 9 PLC ± 5 PLC ±0.131(.005) 4 PLC ± ANGLES ± 40° 30'		DWN: 20-JUNE-2000 CHK: WHITAKER 20-JUNE-2000 APVD: K. COBLE 20-JUNE-2000		AMP Incorporated Harrisburg, PA 17105-3608	
MATERIAL: NYLON UL 94V-0, WHITE		FINISH:		PRODUCT SPEC:		NAME: CAP, 12 CIRCUIT, UNIVERSAL MATE-N-LOK(TM), SPECIAL	
CUSTOMER DRAWING		WEIGHT:		APPLICATION SPEC:		SIZE: CAGE CODE: DRAWING NO: A1100779 C=794762	
SCALE: 4:1		SHEET: 1 OF 1		REV: F		RESTRICTED TO:	

