

SAFETY ORGANIZATIONS

THIS MODULE HAS BEEN FORMALLY RECOGNIZED, CERTIFIED OR APPROVED BY THE LISTED AGENCY. THEREFORE, ALL TEST/REQUIREMENTS SPECIFIED IN THE LATEST REVISION OF THE FOLLOWING AGENCY STANDARDS HAVE BEEN MET:

UL RECOGNIZED: UL 498
 CSA CERTIFIED: CSA C22.2 No. 42
 VDE APPROVED: EN 60320-1

OPERATING SPECIFICATIONS

LINE CURRENT/VOLTAGE: 20 AMP, 250 VAC, UL/CSA
 16 AMP, 250 VAC, VDE

LINE FREQUENCY: 50-60Hz

RELIABILITY SPECIFICATIONS:

STORAGE TEMPERATURE: -40°C TO +85°C
 HUMIDITY: 21 DAYS @ 40°C 95% RH.

TEST SPECIFICATIONS:

L/G AND L/L I.R. @ 6000M (MIN.) 100VDC,
 20°C AND 50% RH

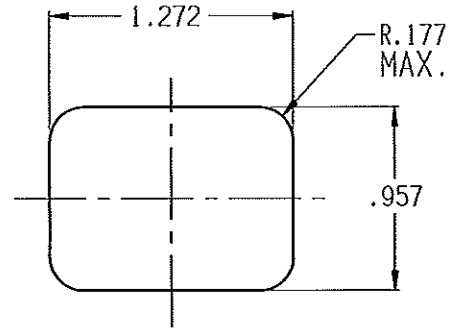
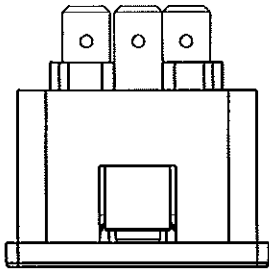
RECOMMENDED RECEIVING INSPECTION HIPOT:

LINE TO GROUND: 1500 VAC FOR 1 MINUTE
 LINE TO LINE: 1450 VDC FOR 1 MINUTE

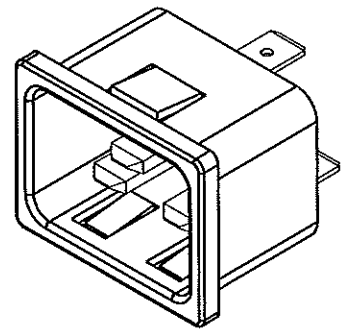
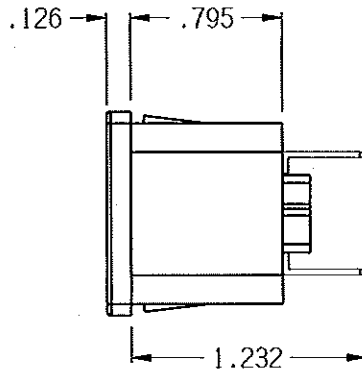
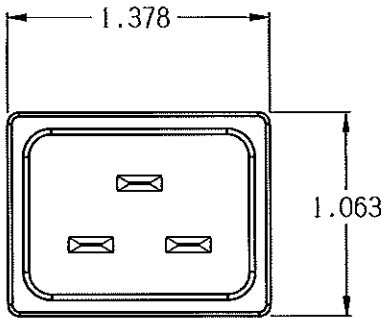
CUSTOMER DRAWING

CATALOG # 20ESRMC2

ECN#	APPRVD	DATE
10-005938	BG	19MAR10



RECOMMENDED PANEL CUTOUT
 0.059±.004 THICK



50 Ω - 50 Ω (MINIMUM) INSERTION LOSS

FREQUENCY MHz	/	/	/	/	/	/	/	/	/	/	/	/	/	/
COMMON dB	/	/	/	/	/	/	/	/	/	/	/	/	/	/
DIFF. dB	/	/	/	/	/	/	/	/	/	/	/	/	/	/

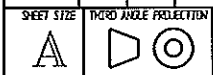
PARTS SHALL COMPLY WITH TYCO ELECTRONICS 138-702 SPECIFICATION FOR HAZARDOUS SUBSTANCES
 UNLESS OTHERWISE SPECIFIED
 TOLERANCE TO BE ±0.025
 MATERIAL & FINISH: AS SUPPLIED

NOTES:



CUSTOMER DRAWING

TYCO ELECTRONICS PART NO. 4-1609134-8			
SCALE: 1:1	DATE: 17FEB10	DRAWING NUMBER: 20ESRMC2	
DRY. BY: LJD	DRWG: /	REV. A	



THIS INFORMATION IS CONFIDENTIAL AND PROPRIETARY TO TYCO ELECTRONICS CORPORATION AND ITS WORLDWIDE SUBSIDIARIES AND AFFILIATES. IT MAY NOT BE DISCLOSED TO ANYONE OTHER THAN TYCO ELECTRONICS PERSONNEL, WITHOUT WRITTEN AUTHORIZATION FROM TYCO ELECTRONICS CORPORATION, HARRISBURG, PENNSYLVANIA USA.

20ESRMC2-A.ctd