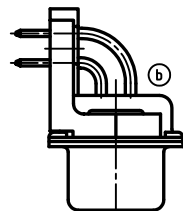
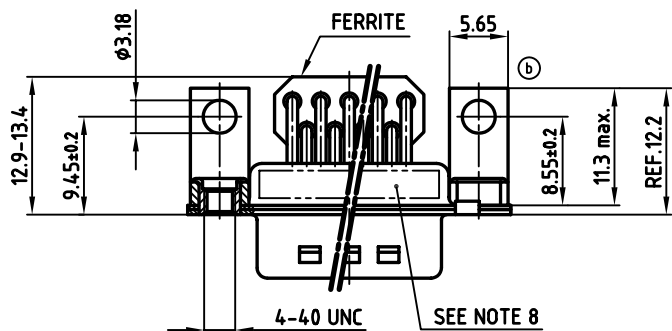
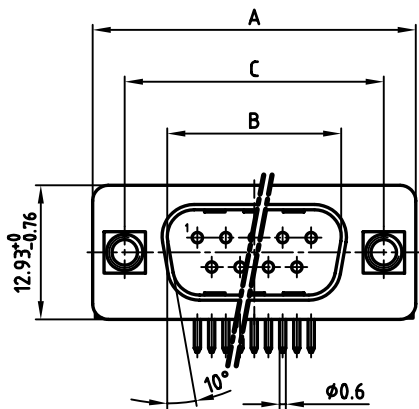
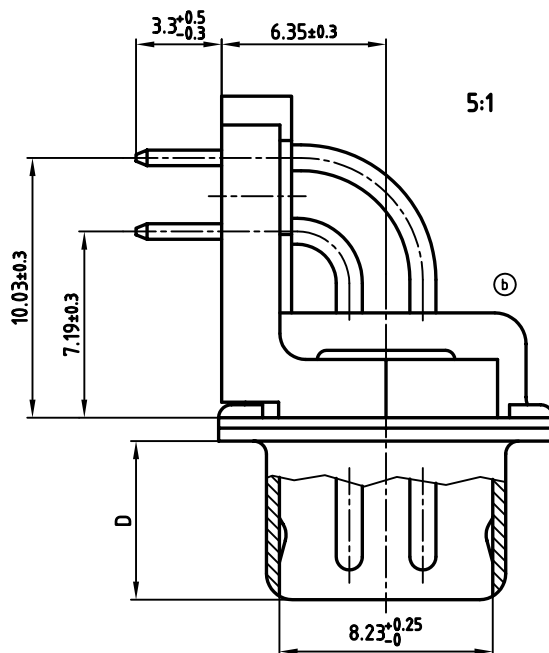


used for: D-SUB FILTER

No. of pos.	A -0.76	B $+0.25$	C	D -0.3	Part No.
9	31.19	16.79	25.00 $+0.12$ -0.13	6.12	241A24880X
15	39.52	25.12	33.30 $+0.15$ -0.1	6.12	241A24890X
25	53.42	38.84	47.04 ± 0.13	5.99	241A24900X
37	69.70	55.30	63.50 ± 0.13	5.99	241A24910X



NOTES:

- METALSHELLS: COPPER ALLOY; min. 320µin TIN
- INSULATORS: PBT GF UL 94 V-0, BLACK
- CONTACTS: COPPER ALLOY
PLATING: 8µin HARD GOLD over min. 50µin NICKEL
- METAL BRACKET: DIE CASTING; min. 320µin TIN over 80µin NICKEL
- THREADED INSERT: COPPER ALLOY; min. 200µin TIN over 80µin NICKEL
- P.C.B. HOLE DRILLINGS ON SHEET 2
- MAXIMUM TORQUE VALUE FOR THREAD: 6in. LBS
- CONNECTOR IS PART MARKED: PART-NO. CONEC ABC



APPROVAL * FREIGABE * DEBLOCAGE * AUTORIZACION * APPROVAL

CUSTOMER APPROVAL DATE:

NAME: TITLE:

COMPANY NAME:

APPROVAL * FREIGABE * DEBLOCAGE * AUTORIZACION * APPROVAL

THIS DRAWING MAY NOT BE COPIED OR REPRODUCED IN ANY WAY, AND MAY NOT BE PASSED ON TO A THIRD PARTY, WITHOUT WRITTEN PERMISSION. OWNERSHIP AND COPYRIGHT OF CONEC GmbH DO NOT ALTER CAD DRAWING BY HAND

rev.	description	date	name
3x b	Ä3061	25.07.2008	Sonne
a	Origin		

tolerance		dim. in mm	
2004	date	name	
drawn	02.08.	Lehmenkühler	
appd.	02.08.	Kühle	
norm	DIN 41652		
d-old			

scale: 2:1 (5:1)

material: SEE NOTES

title: **D-SUB FILTER MALE 90°**
9-37pos. 0.318inch
with threaded insert, metal bracket and ferrite

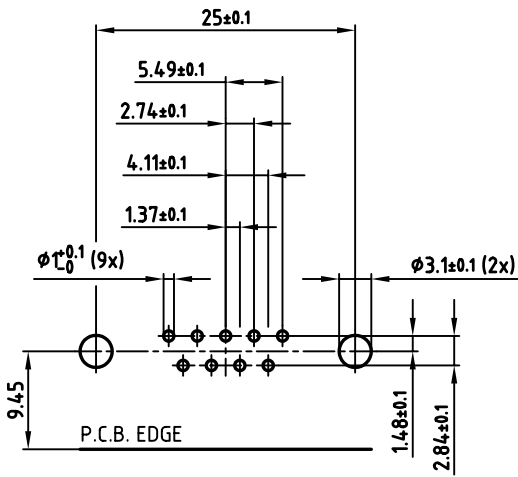
dwg no: AutoCAD 2004 DIN-A

24K1A549

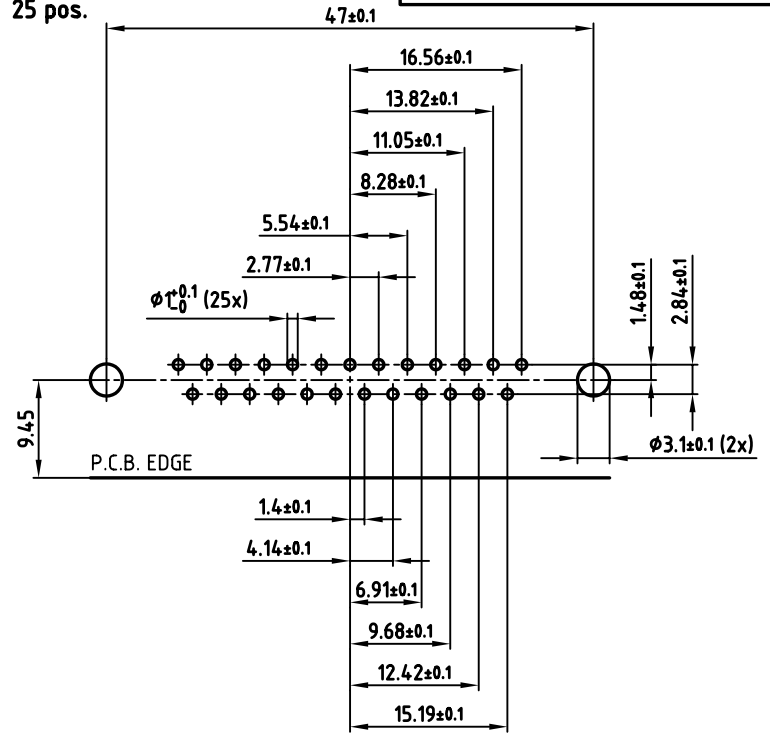
part no: SEE TABLE

3 sh:1/2

9 pos.

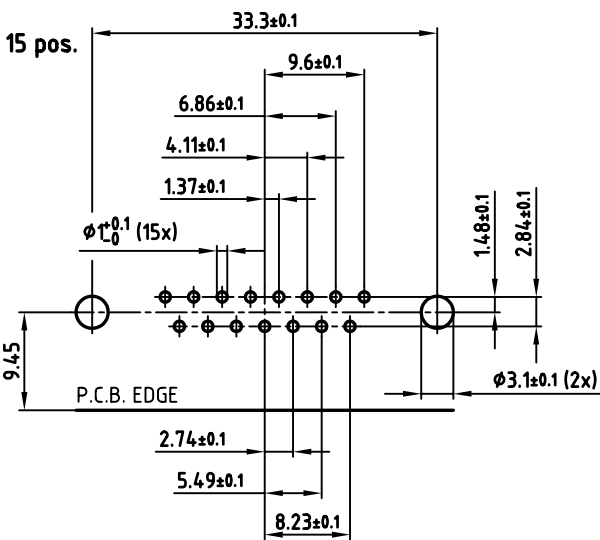


25 pos.

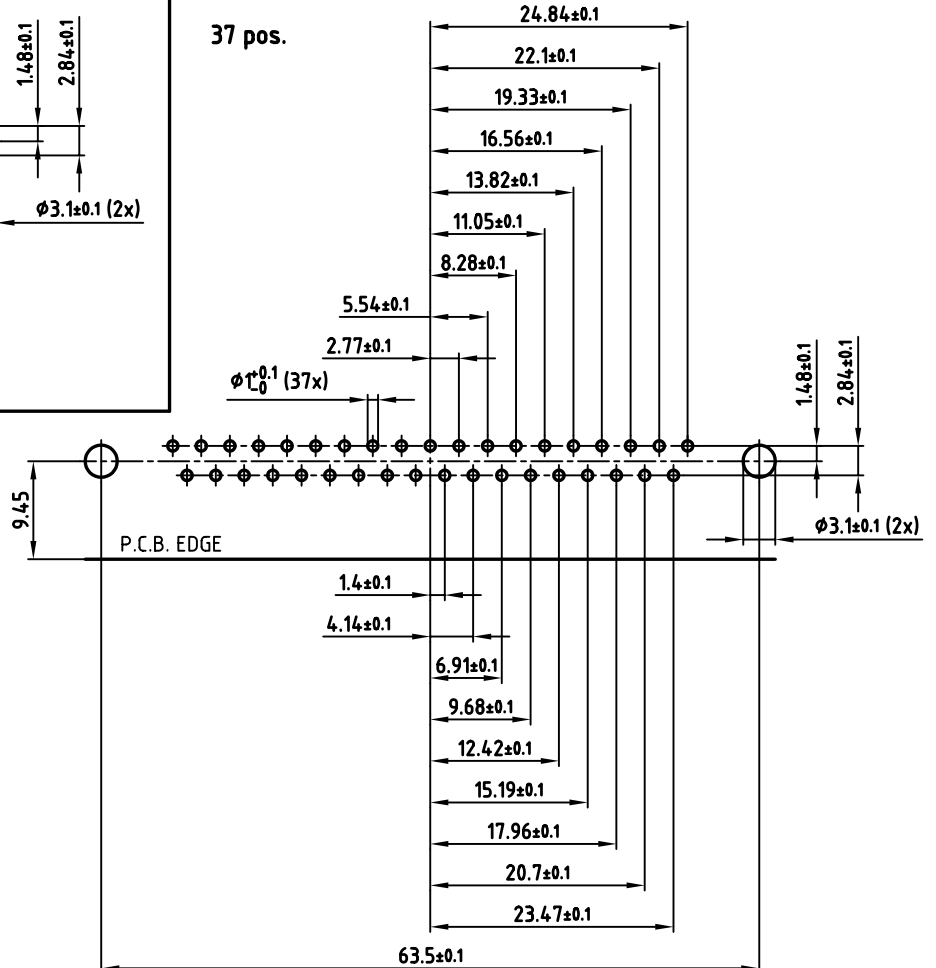


used for: D-SUB FILTER

15 pos.



37 pos.



APPROVAL * FREIGABE * DEBLOCAGE * AUTORIZACION * APPROVAL

CUSTOMER APPROVAL DATE:

NAME: TITLE:

COMPANY NAME:

APPROVAL * FREIGABE * DEBLOCAGE * AUTORIZACION * APPROVAL

THIS DRAWING MAY NOT BE COPIED OR REPRODUCED IN ANY WAY, AND MAY NOT BE PASSED ON TO A THIRD PARTY, WITHOUT WRITTEN PERMISSION. OWNERSHIP AND COPYRIGHT OF CONEC GmbH DO NOT ALTER CAD DRAWING BY HAND

rev.	description	date	name

tolerance		scale:	2:1
dim. in mm		material:	SEE SHEET 1
2004	date	name	
drawn	02.08.	Lehmenkühler	
appd.	02.08.	Kühle	
norm	DIN 41652		
d-old			
CONEC®			

title: **P.C.B. HOLE DRILLINGS**
D-SUB FILTER MALE 90° 9-37pos. 0.318inch with threaded insert, metal bracket and ferrite

dwg no: AutoCAD 2004 DIN-A 3 sh:2/2

part no: **24K1A549** SEE SHEET 1