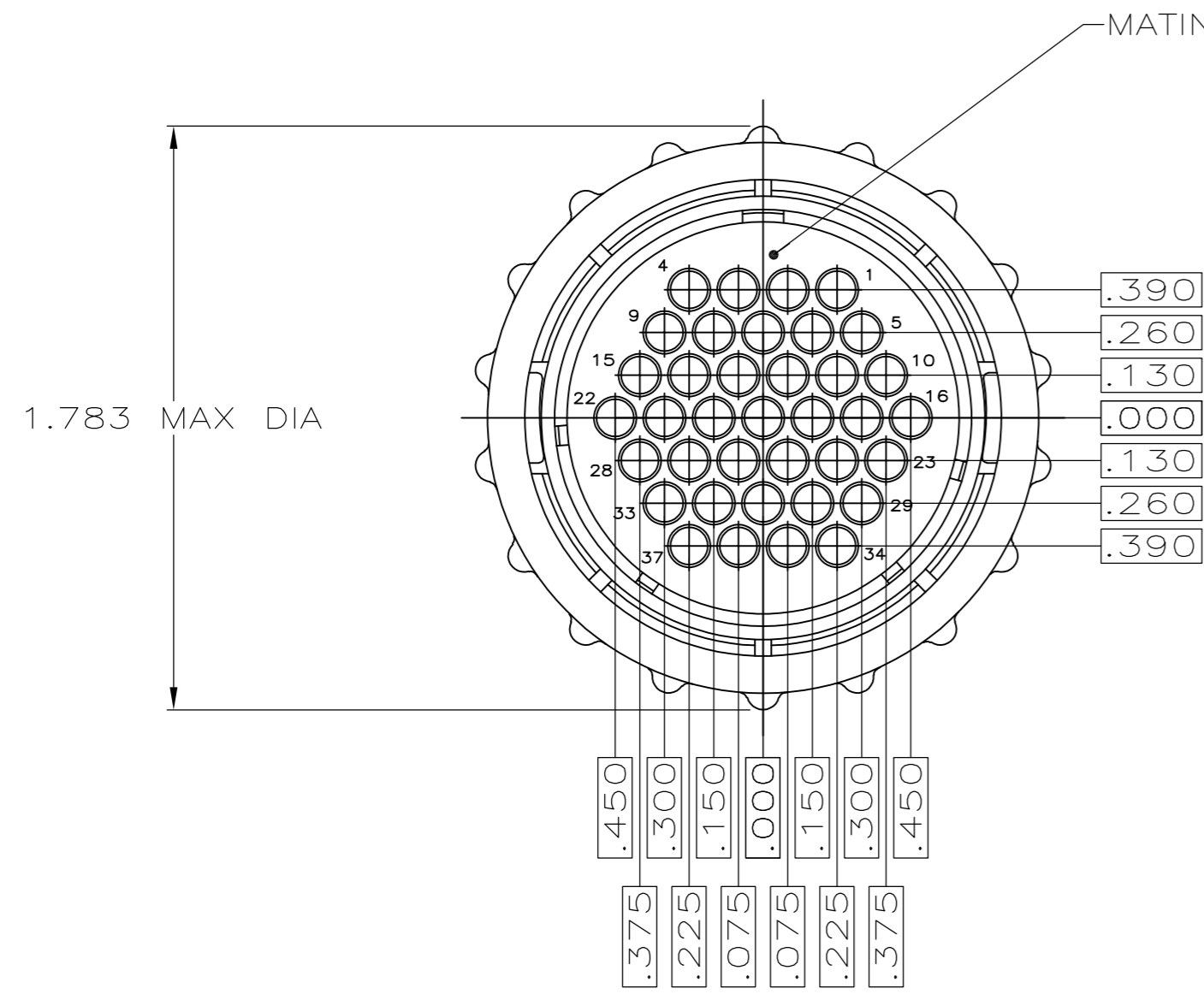
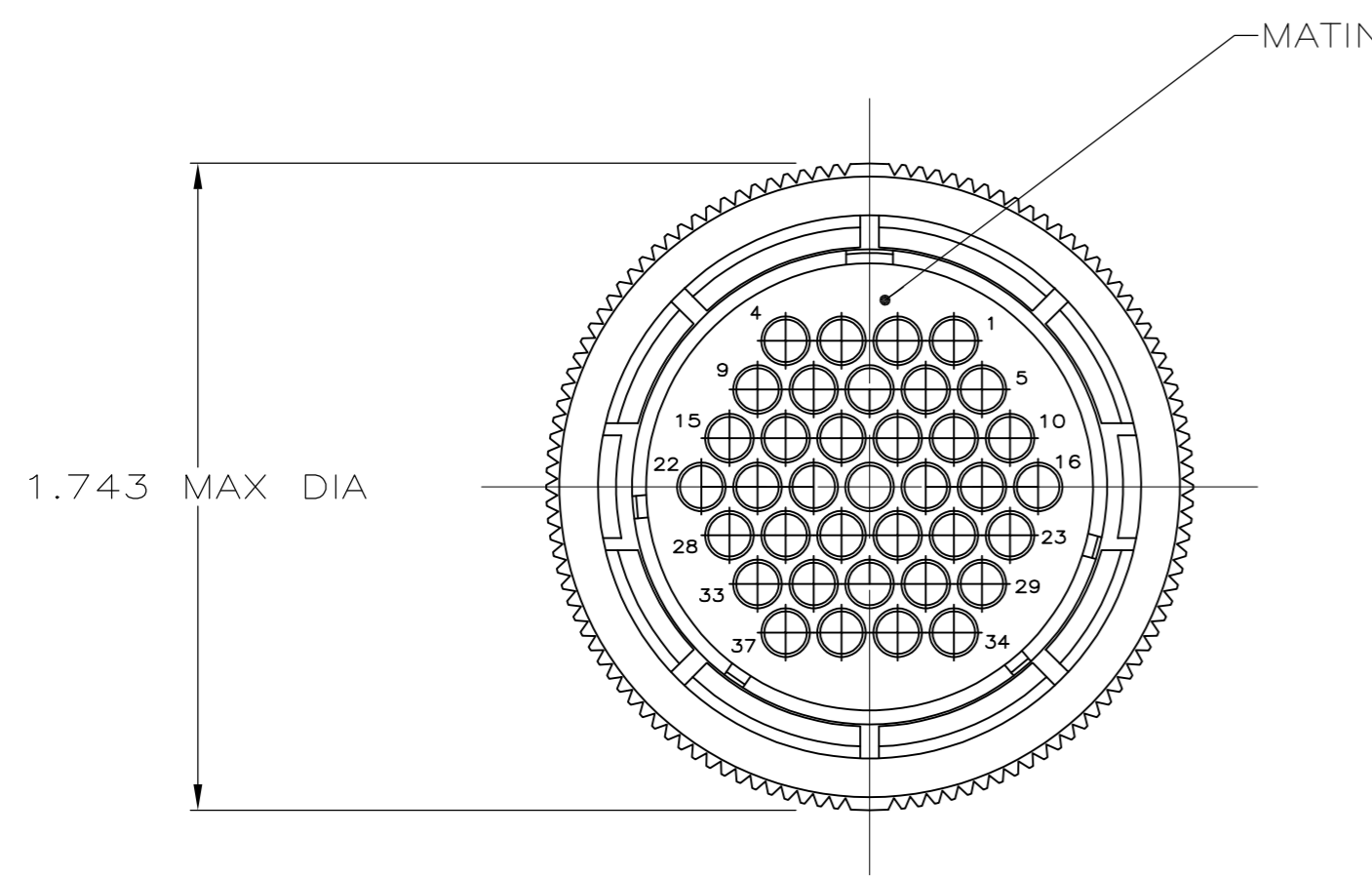
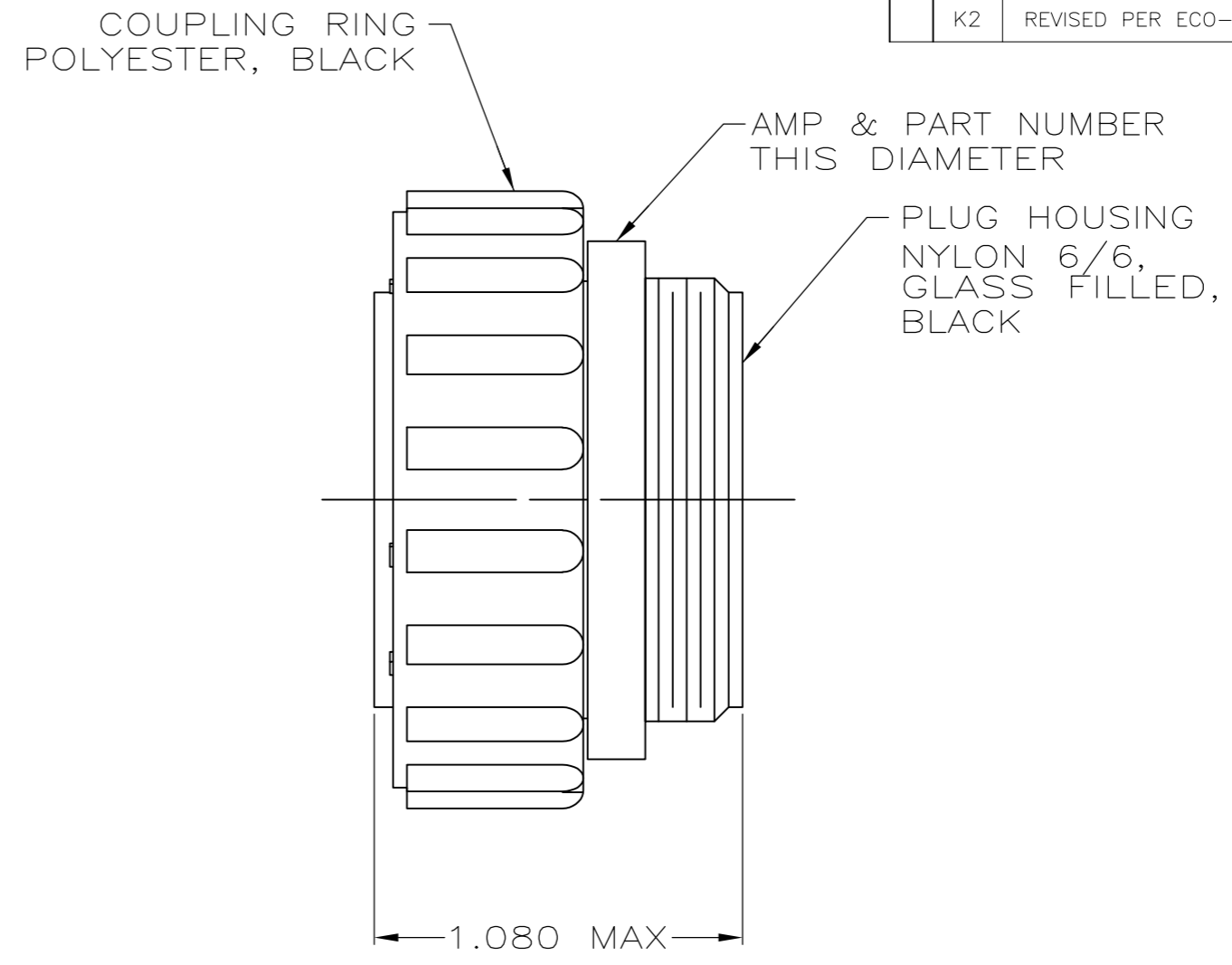


THIS DRAWING IS UNPUBLISHED. RELEASED FOR PUBLICATION  
 © COPYRIGHT - By - ALL RIGHTS RESERVED.

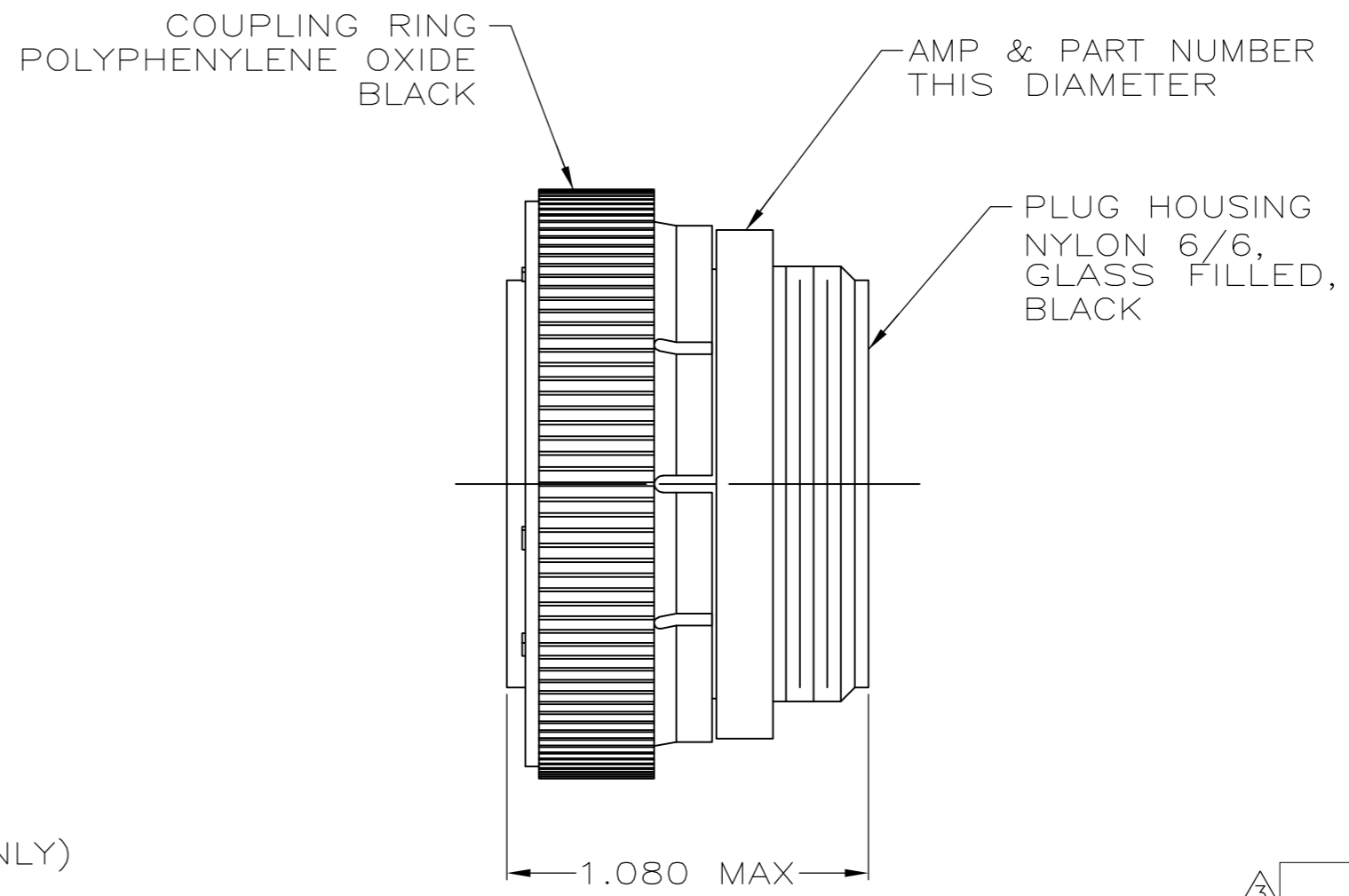
LOC		DIST		REVISIONS			
P	LTR	DESCRIPTION		DATE	DWN	APVD	
FT	0	K2	REVISED PER ECO-11-004587	11MAR11	RK	HMR	



(206150-1, -2 & -6 ONLY)



(206150-3 ONLY)



- CONTACT CAVITIES IDENTIFIED BY CHARACTERS ON FRONT AND REAR FACES OF CONNECTOR.
  - THIS CONNECTOR WILL ACCEPT (37) MULTIMATE SOCKET CONTACTS.
- 3 WHITE DOT NEAR POSITION 1 ON WIRE ENTRY FACE.

STANDARD	206150-6
STANDARD	206150-3
SMALL PACK	206150-2
STANDARD	206150-1
PACKAGING	PART NUMBER

THIS DRAWING IS A CONTROLLED DOCUMENT.		DWN	S.RIDGLEY	BG	8/2/90	<b>TE</b> TE Connectivity	
DIMENSIONS: INCHES		CHK	R.STONE		4-26-91		
TOLERANCES UNLESS OTHERWISE SPECIFIED:		APVD		-		NAME	
0 PLC ± -		PRODUCT SPEC		-		PLUG ASSEMBLY, SHELL SIZE 23, STANDARD SEX, SERIES 1, CPC	
1 PLC ± -		APPLICATION SPEC		-		-	
2 PLC ± -		WEIGHT		-		SIZE CAGE CODE DRAWING NO RESTRICTED TO	
3 PLC ± -		MATERIAL		-		A2 00779 C=206150	
4 PLC ± -		FINISH		-		SCALE 2:1 SHEET 1 of 1 REV K2	
ANGLES ± -		SEE CALLOUT		-		CUSTOMER DRAWING	