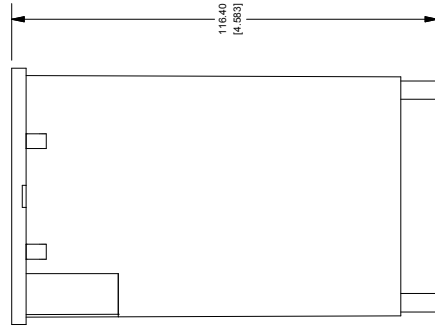
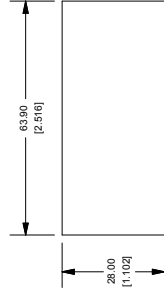
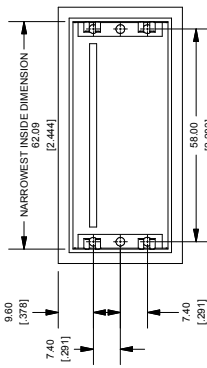
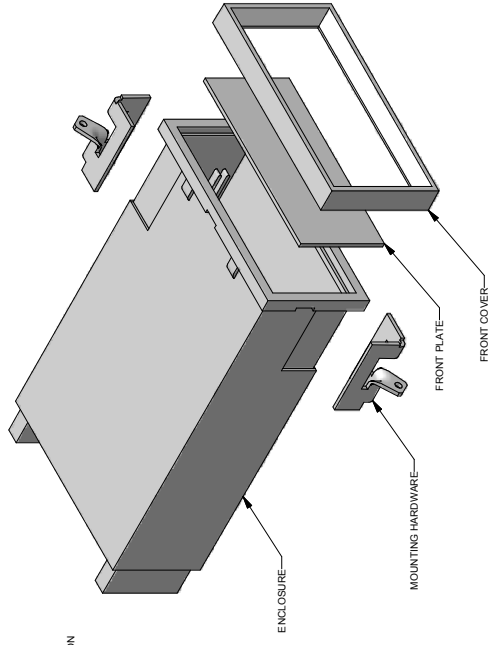
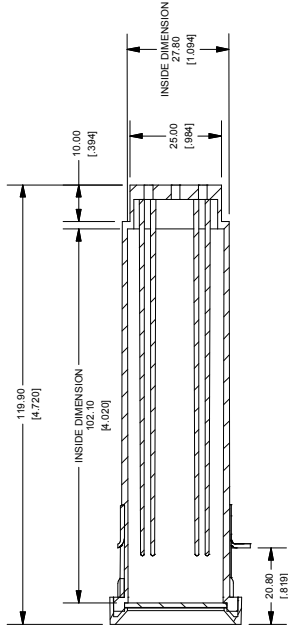
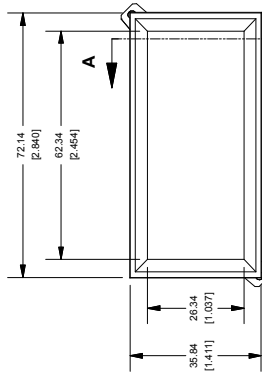


1212 ENCLOSURE



NOTES:
ENCLOSURE MATERIAL FRABS
2 ENDPANELS ARE SUPPLIED WITH ENCLOSRE
- 50-52 H32 ALUMINUM
- GREY TINTED ACRYLIC



www.hammondmfg.com