

PRODUCT NUMBER	PITCH
KDxx10x2A0J0G	3.50 mm

$$\text{Dim L} = (N/2 - 1) \times 3.5 + 4.2$$

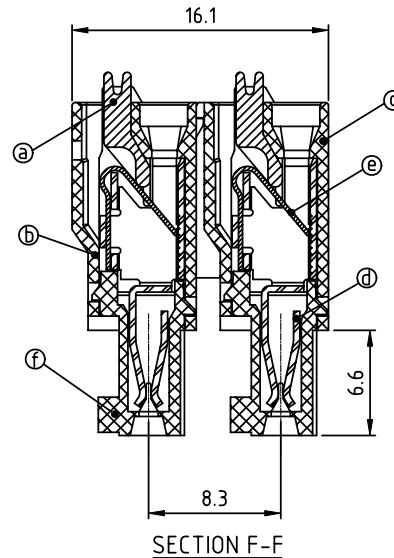
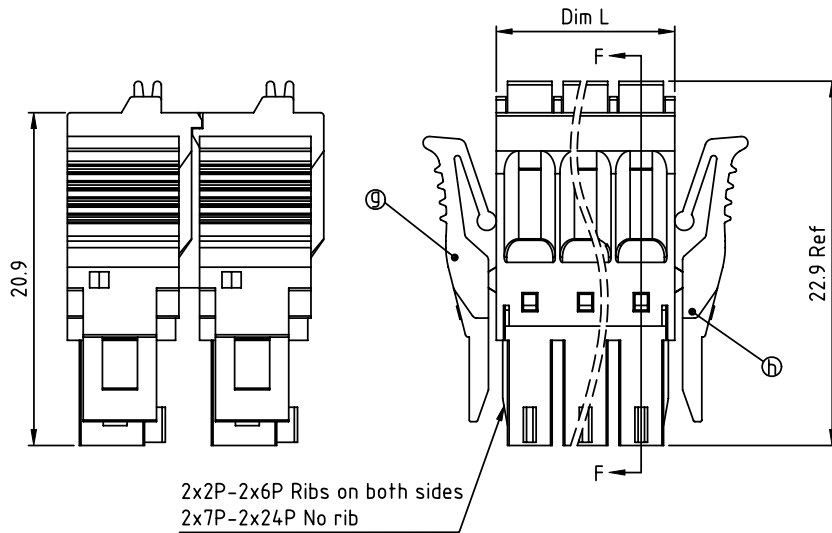
$$\text{Dim P} = (N/2 - 1) \times 3.5$$

N=Number of poles

POLES	Tolerance
2x2P-2x6P	±0.15
2x7P-2x12P	±0.25
2x13P-2x18P	±0.30
2x19P-2x24P	±0.40

PART NO.: KD xx 1 0 x 2 A0J0 G

Solid block	Housing Color	RoHS compliant
No. of poles	0 Black (RAL9005)	(lead<4%)
04 2x2 poles	5 Green(RAL6018/T)	In copper Alloy
06 2x3 poles	6 Blue (RAL5015/A)	
... ..	8 Grey(RAL7035/D)	
48 2x24 poles		

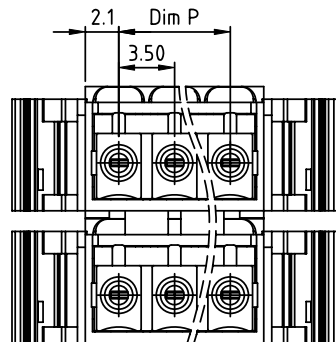


Material:

- Item@ Terminal lever: Thermoplastic (UL94V-0) Orange (RAL2011/P)
- ItemⓅ Top housing: Thermoplastic (UL94V-0)
- ItemⓈ Terminal back housing: Thermoplastic (UL94V-0)
- ItemⓉ Female contact: PhBz, Bright Tin plated over Nickel plated
- ItemⓆ Spring clamp: Stainless steel
- ItemⓇ Bottom housing: Thermoplastic (UL94V-0)
- ItemⓊ Terminal Left Latch: Thermoplastic (UL94V-0)
- ItemⓋ Terminal Right Latch: Thermoplastic (UL94V-0)

Electrical:

- Voltage rating: cULus 160 V
- Current rating: 5.5 A
- Wire range:
- Solid wire(AWG): 16-24
- Stranded wire(AWG): 16-24
- Wire strip length: 9-10 mm
- Withstanding Voltage: 1.32 KV
- Operating temperature: -40°C to +115°C
- Safety Approval:



mat'l. code		surface ASME Y14.5 ✓	tolerance ASME Y14.5	projection 	product family TERMINAL BLOCK		
ltr	ecn no	dr	date	tolerances unless otherwise specified	title TERMINAL BLOCK		
B	T-24177	HF	052816				
		angles	X.±0.5	MM	scale SPRING CLAMP, PLUGGABLE PLUG, WITH LATCH, DOUBLE LEVEL		
		X'±1"	X.X±0.3				
			X.XX±0.1		dwg no KDxx10x2A0J0G		
		dr	EVIN ZHONG 052014			sheet 1 of 1	size A4
		enr	EVIN ZHONG 052014			type CUSTOMER Drawing	
		chr	HANKE FENG 052014				
		appd	SHI JUN 052014				
sheet index	revision	B					
	sheet	1					