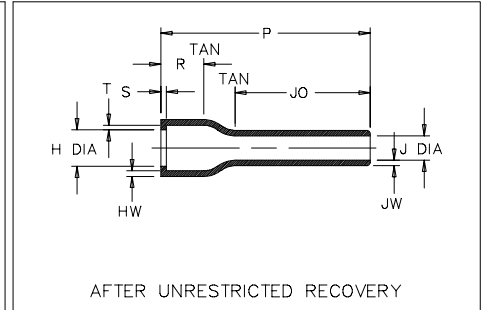
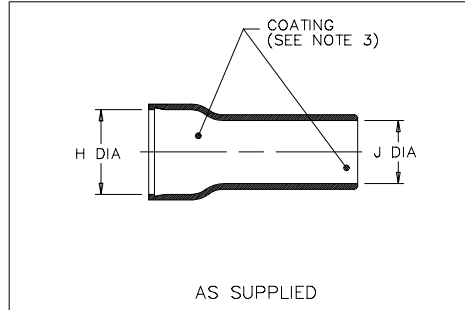


Thermofit[®] Molded Parts
 Specification Control Drawing
 Limited Distribution

Part Number : 202F2XX-51-08
 Description : Boot, Straight, With Lip

NOTES

- All dimensions are in $\frac{\text{inches}}{\text{[millimeters]}}$
- Dimensions appearing in table are as follows:
 - a - As Supplied
 - b - After Unrestricted Recovery
- Coating is optional. As supplied dimensions appearing in table are for uncoated parts. When coating is added, entry diameters will be reduced by .06 max.



PART NUMBER	H		J		P	R	S	T	JO	HW	JW
	Min	Max	Min	Max							
	a	b	a	b							
202F221-XX-08	1.07 [27,2]	.52 [13,2]	.82 [20,8]	.30 [7,6]	3.00 [76,2]	.48 [12,2]	.06 [1,5]	.05 [1,3]	2.11 [53,6]	.06 [1,5]	.06 [1,5]
202F232-XX-08	1.33 [33,8]	.73 [18,5]	1.33 [33,8]	.35 [8,9]	3.00 [76,2]	.48 [12,2]	.07 [1,8]	.05 [1,3]	1.98 [50,3]	.07 [1,8]	.06 [1,5]

**If this document is printed it becomes uncontrolled.
 Check for the latest revision.**

Raychem

RAYCHEM CORPORATION
 300 CONSTITUTION DRIVE
 MENLO PARK, CALIFORNIA 94025

Revision : D
 Date : 10/07/93

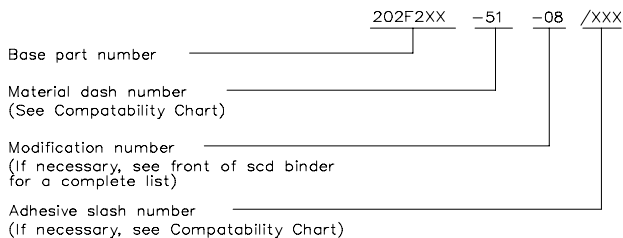
Part Number : 202F2XX-51-08
 Description : Boot, Straight, With Lip

Thermofit[®] Molded Parts
 Specification Control Drawing
 Limited Distribution

Part Number : 202F2XX-51-08
 Description : Boot, Straight, With Lip

COMPATABILITY CHART					
MATERIAL DASH NO.	MATERIAL DESCRIPTION	RT SPEC	COATING SLASH NO.	COATING S NO.	COATING DESCRIPTION
-51	EPB, Flexible	RT-1321	/164	S-1124	Adhesive

ORDERING INFORMATION



THIS DRAWING IS SUBJECT TO CHANGE WITHOUT NOTICE; CONSULT YOUR
 NEAREST FIELD REPRESENTATIVE FOR CURRENT REVISION

Raychem

RAYCHEM CORPORATION
 300 CONSTITUTION DRIVE
 MENLO PARK, CALIFORNIA 94025

Revision : D
 Date : 10/07/93

Part Number : 202F2XX-51-08
 Description : Boot, Straight, With Lip