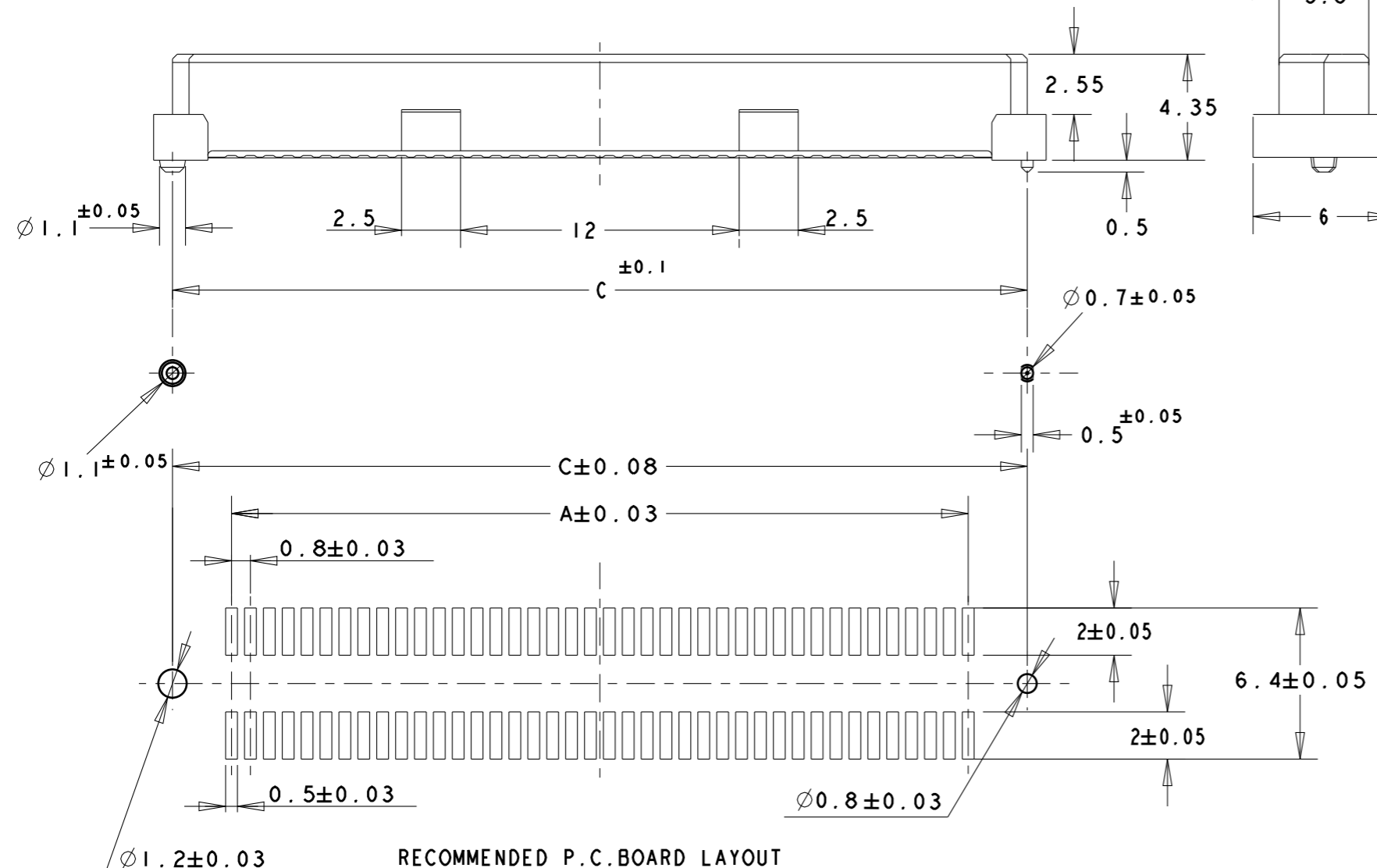
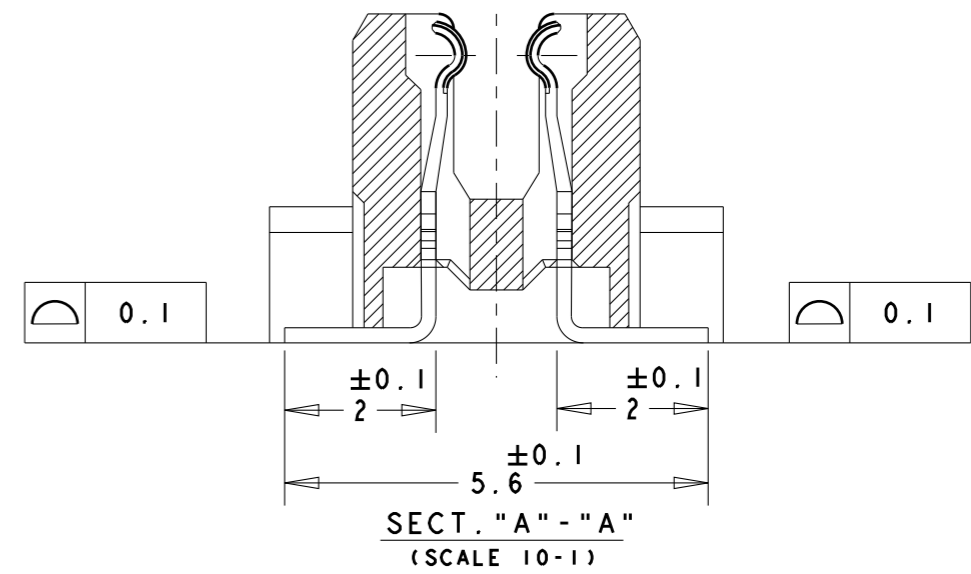
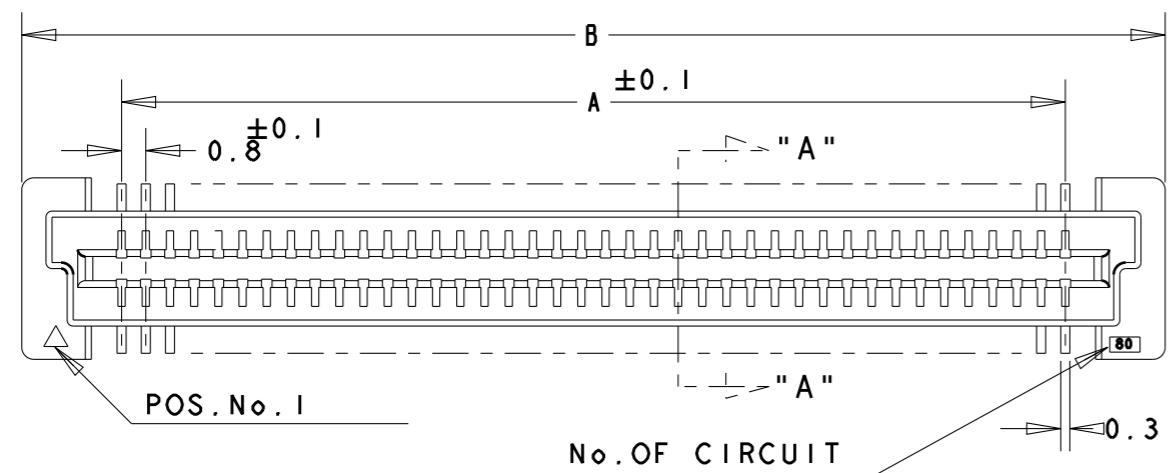


THIS DRAWING IS UNPUBLISHED.  
 RELEASED FOR PUBLICATION .19  
 © COPYRIGHT 19 BY AMP INCORPORATED. ALL RIGHTS RESERVED.

LOC		DIST		REVISIONS			
P	LTR	DESCRIPTION	DATE	DWN	APVD		
DY	-	A	NPR PER ECR-10-016899	13AUG2010	SYJ	LSF	



RECOMMENDED P.C. BOARD LAYOUT

- NOTES:
- MATERIAL:  
HOUSING: L.C.P. (HIGH TEMP. THERMOPLASTIC)  
UL 94V-0, NATURAL.  
CONTACT: COPPER ALLOY.
  - FINISH:  
CONTACT AREA: 0.00038 MIN GOLD ON  
0.0013 MIN ALL OVER NICKEL.  
SOLDERING AREA: 0.002 MIN MATTE-TIN.
  - POSITION SERIES: SEE TABLE.
  - CONN STACK HEIGHT COMBINE OF PLUG "Y" H VS REC "X" H.  
STACK HEIGHT = Y + X - 5

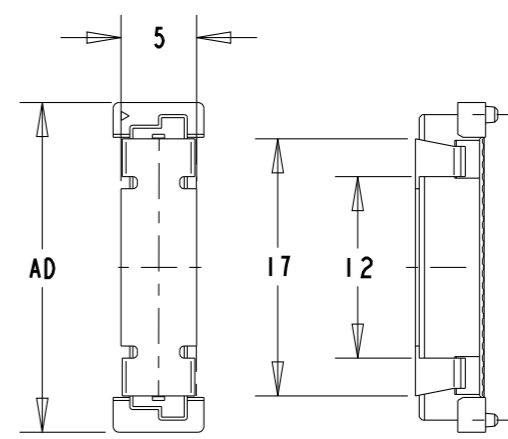
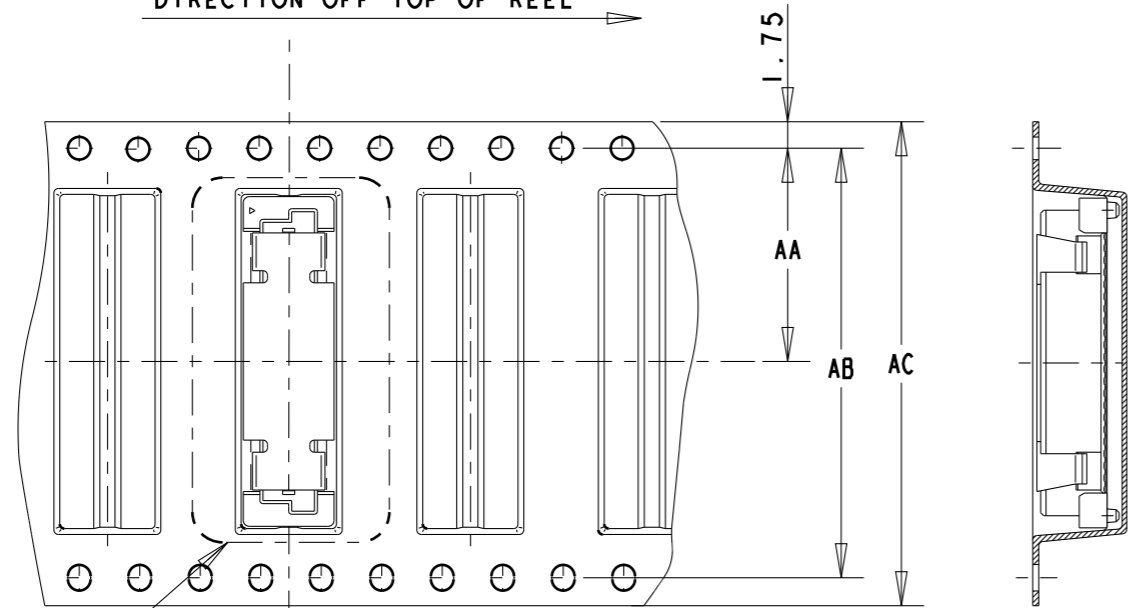
P/N SEE SHEET 2 OF 2

THIS DRAWING IS A CONTROLLED DOCUMENT FOR AMP INCORPORATED. IT IS SUBJECT TO CHANGE AND THE CONTROLLING ENGINEERING ORGANIZATION SHOULD BE CONTACTED FOR THE LATEST REVISION.		DWN YJ SEE 18MAY2010	Tyco Electronics Singapore	
DIMENSIONS: mm		CHK SF LEONG	NAME REC ASSY FOR FH 0.8BTB CONNECTOR 5.6H 0.5 BOSS LENGTH (0.38um GOLD)	
TOLERANCES UNLESS OTHERWISE SPECIFIED: 0 PLC ± 1 PLC ±0.30 2 PLC ±0.25 3 PLC ±0.20 4 PLC ± ANGLES ±3°		APVD SF LEONG	PRODUCT SPEC 108-5390	SIZE A3
MATERIAL -		APPLICATION SPEC 114-5254	CAGE CODE 00779	DRAWING NO C-1735881
		WEIGHT -	SCALE 4:1	SHEET 1 OF 2
		CUSTOMER DRAWING	REV A	

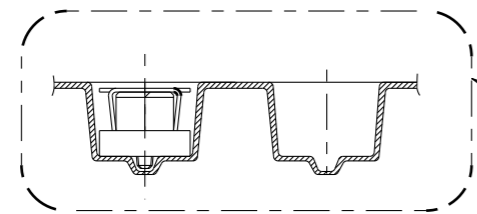
THIS DRAWING IS UNPUBLISHED. RELEASED FOR PUBLICATION .19 .  
 © COPYRIGHT 19 BY AMP INCORPORATED. ALL RIGHTS RESERVED.

LOC	DIST	REVISIONS					
		P	LTR	DESCRIPTION	DATE	DWN	APVD
DY	-	-	-	SEE SHEET 1	-	-	-

DIRECTION OFF TOP OF REEL →

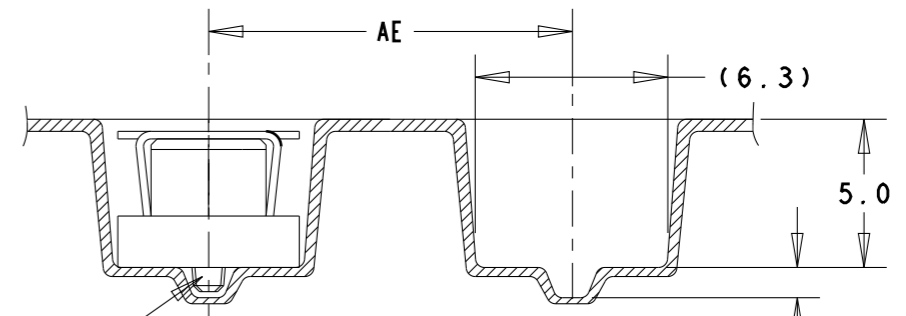


DETAIL B

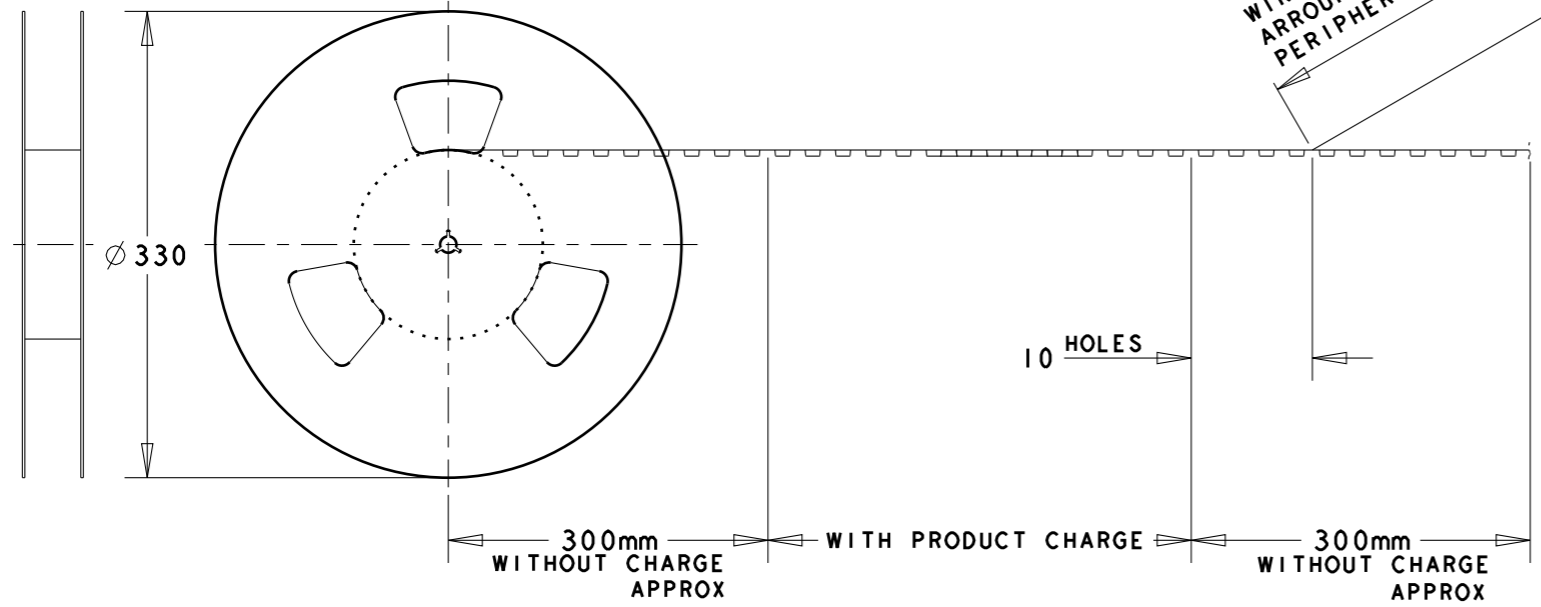


DETAIL A

WINDING THE COVER TAPE  
AROUND THE OUTER  
PERIPHERY IN A TURN.



DETAIL A  
(SCALE 4-1)



NOT AVAILABLE	650	16	88	84.4	42.2	60.2	61.8	55.2	140	1735881-6
AVAILABLE	650	16	72	68.4	34.2	52.2	53.8	47.2	120	1735881-5
NOT AVAILABLE	650	16	72	68.4	34.2	44.2	45.8	39.2	100	1735881-4
	900	12	56	52.4	26.2	36.2	37.8	31.2	80	1735881-3
	900	12	44	40.4	20.2	28.2	29.8	23.2	60	1735881-2
900	12	32	28.4	14.2	20.2	21.8	15.2	40	1735881-1	
REMARKS	QTY	AE	AC	AB	AA	C	B	A	POS	PART NUMBER

THIS DRAWING IS A CONTROLLED DOCUMENT FOR AMP INCORPORATED. IT IS SUBJECT TO CHANGE AND THE CONTROLLING ENGINEERING ORGANIZATION SHOULD BE CONTACTED FOR THE LATEST REVISION.

DWN YJ SEE 18MAY2010  
 CHK SF LEONG  
 APVD SF LEONG  
 PRODUCT SPEC 108-5390  
 APPLICATION SPEC 114-5254  
 WEIGHT -

Tyco Electronics Singapore  
 NAME REC ASSY FOR FH 0.8BTB CONNECTOR 5.6H 0.5 BOSS LENGTH (0.38um GOLD)  
 SIZE A3 CAGE CODE 00779 DRAWING NO C-1735881

CUSTOMER DRAWING SCALE 4:1 SHEET 2 OF 2 REV A