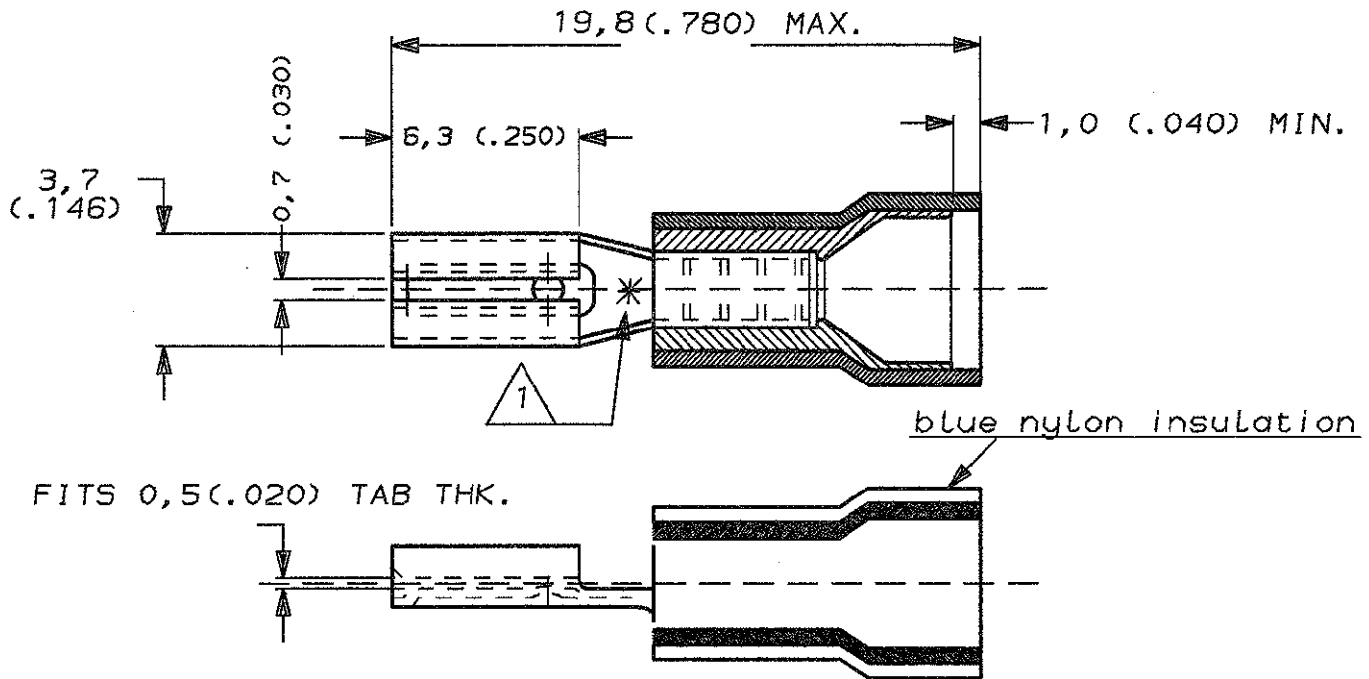


DO NOT SCALE

DIMENSIONS IN mm

METRIC

THIRD ANGLE
PROJECTION



ASTERISK * FOR PH. BRONZE VERSION ONLY

** FOR WIRES 1,0 UP TO 1,5 mm² , CONTACT AMP

2 WIRE RANGE: 1,5-2,5mm². INSUL. RANGE: 4,3mm MAX. DIA..

TAPEMOUNTED	165616-7	2-165616-7
TAPEMOUNTED	165616-6	2-165616-6
TAPEMOUNTED	165616-5	2-165616-5
TAPEMOUNTED	165616-4	2-165616-4
TAPEMOUNTED	165616-3	2-165616-3
TAPEMOUNTED	165616-2	2-165616-2
GOLD	PH. BRONZE	165616-7
SILVER	PH. BRONZE	165616-6
TIN	PH. BRONZE	165616-5
GOLD	BRASS	165616-4
SILVER	BRASS	165616-3
TIN	BRASS	165616-2

FINISH

MATERIAL

PARTNUMBER

-	-	-	-	-
-	-	-	-	-
-	-	-	-	-
-	-	-	-	-
-	-	-	-	-
F	H-9380	DK	PB	08-01-92
LTR.	REVISION RECORD	DR.	CHK.	DATE

CUSTOMER DRAWING

FOR REFERENCE ONLY
WILL NOT BE UPDATED

© COPYRIGHT 19- BY AMP HOLLAND B.V.
ALL INTERNATIONAL RIGHTS RESERVED. AMP PRODUCTS MAY BE
COVERED BY U.S. AND FOREIGN AND/OR PATENTS PENDING.

THIS DRAWING IS UNPUBLISHED
RELEASED FOR PUBLICATION _____, 19____

AMP

AMP HOLLAND B.V.
s-Hertogenbosch,
The Netherlands.

NAME

.110 SERIES
PIDG FASTON RECEPTACLE

DR.:	F.COOLS	CHK.:	-	APP.:	-	DWG. No.	C-165616	REV. LTR.	F	SHEET	1 OF 1	A4
DATE:	16-09-86	DATE:	-	DATE:	-							