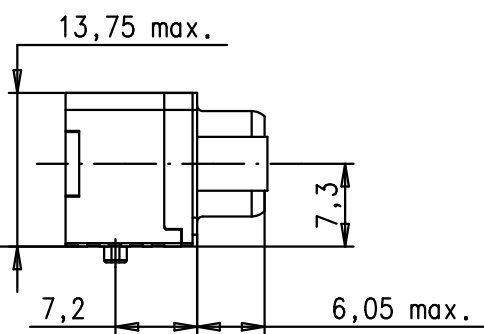
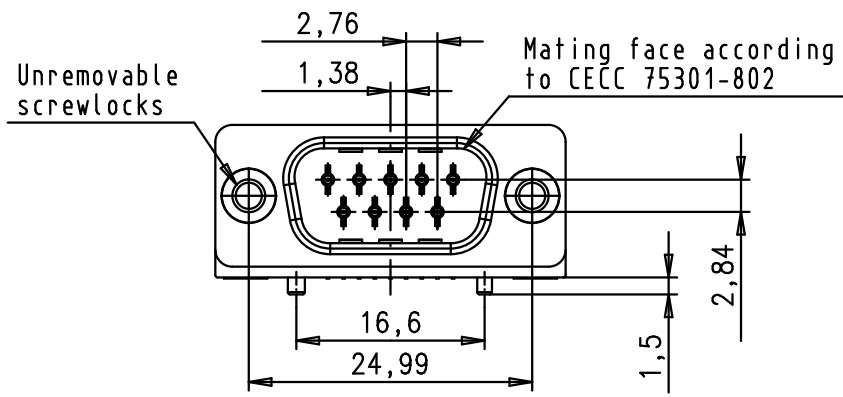


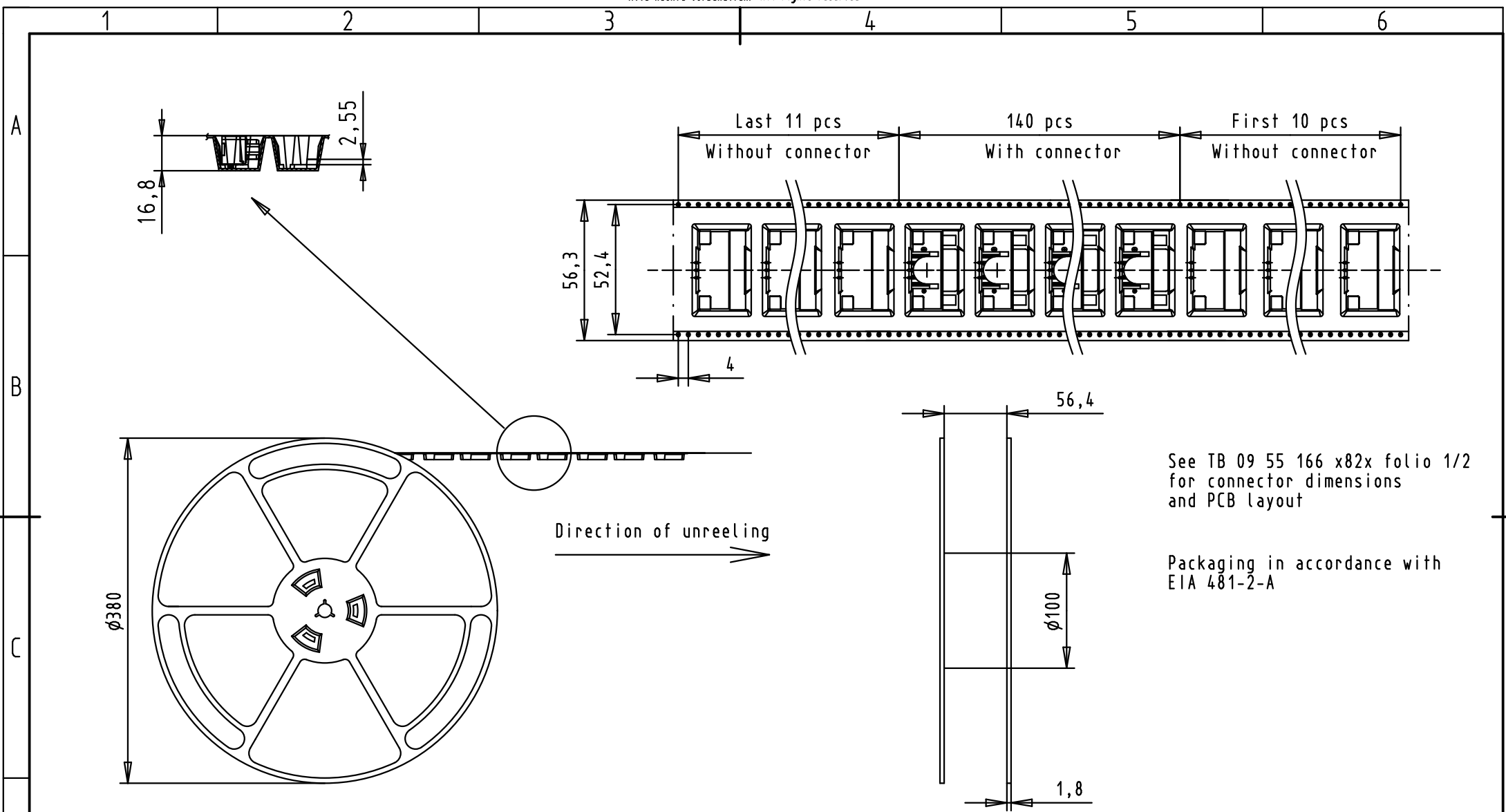


PCB Layout, component side (thickness 1.6 mm min.)



Max. Temperature : 260° during 10 seconds

D	Part number		PL	Thread	Index designation	Mod.	Dat.	Name	Dot.	Name	 All Dim. in mm Orig. Size DIN A 4	D-SUB SMT Standard Male 9p with die casted grounds and unremovable screwlocks	Maßstab/ Scale 1,5:1	
	1	2												
	09551663822.741	1	4-40 UNC	M3	Black Insulator	Reel Packaging (140 connectors) see page 2				Detail.	28Aug2009	ED	TB 09 55 166 x82x Sub.	Blatt/ Page 1 / 2
	09551666822.741	2												
	09551667822.741	3												
	09551663821.741	1												
	09551666821.741	2												
	09551667821.741	3												
	Part number	PL	Thread	Index designation	Mod.	Dat.	Name	HARTING EURL F-95972 Paris						



See TB 09 55 166 x82x folio 1/2 for connector dimensions and PCB layout

Packaging in accordance with EIA 481-2-A

D	09551663822.741	1	4-40 UNC	Black Insulator	Reel Packaging (140 connectors)				Dot.	Name	 All Dim. in mm Orig. Size DIN A 4	D-SUB SMT Standard Male 9p with die casted grounds and unremovable screwlocks	Maßstab/ Scale			
	09551666822.741	2						Detail.	28Aug2009	ED						
	09551667822.741	3						Insp.								
	09551663821.741	1				M3		EC02316	30Aug2010	ED				Stand.		
	09551666821.741	2						EC01199	11Jan2010	ED						
	09551666821.741	2						EC01118	26Nov2009	LP						
09551667821.741	3		EC00775	28Aug2009	ED											
	Part number	PL	Thread	Index designation	Mod.	Dot.	Name	HARTING EURL F-95972 Paris				TB 09 55 166 x82x	Blatt/ Page 2 / 2			

Sub.