

# Weller<sup>®</sup>

## WHA900

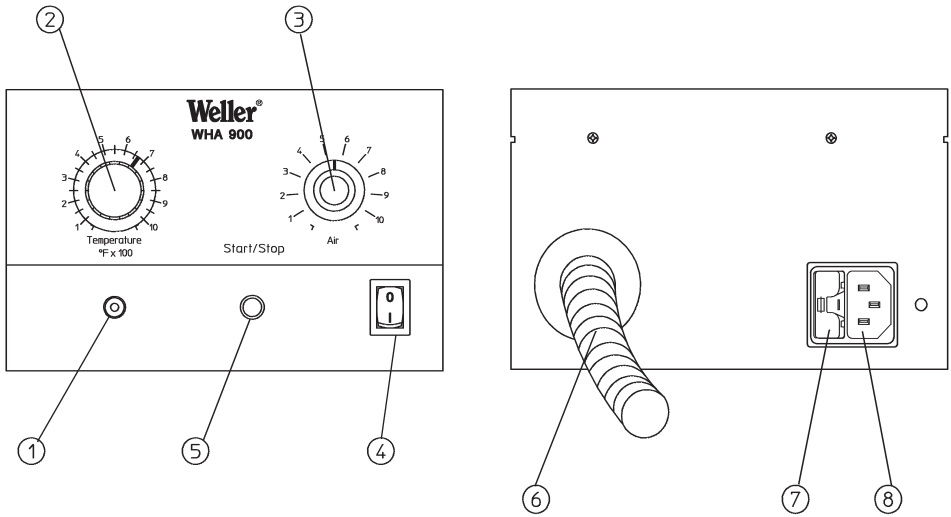
 Operating Instructions

# Table of Contents

# Page

WHA900 Detail View	1
Technical Data	1
1. Cautions! / Warnings!	2
2. Description	2
3. Placing Into Operation	2
4. Operating Guidelines	3
5. Accessories	3
6. Packing List	3
7. Nozzles	4,5,6

## WHA900 Detailed View



1. LED Heater Control
2. Variable Temperature Control; Range 100°F and 1000°F
3. Air Flow Control; Range 5 to 50 l/minute
4. Power Switch
5. Start / Stop Push Button
6. Hot Air Pencil and Hose Assembly
7. Fuse T 10 Amp
8. Receptacle 120 VAC

## Technical Data:

Dimensions:	8 3/16" L; 6 5/8" W; 4 1/4" H
Main Voltage:	120 VAC
Power consumption:	750 WATTS
Hot Air Pencil output:	700 WATTS
Fuse:	T 10 AMP
Temperature Control:	Variable between 100°F and 1000°F
Temperature Control accuracy:	± 54°F
Flow Control:	Variable between 5 - 50 l/min
Noise Level:	56dB(A) distance 1m at max. airflow level

Thank you for placing your trust in our company by purchasing the Weller WHA900 Hot Air Station. This product meets or exceeds the requirements established by Weller for superior performance, versatility and quality.



## 1. Cautions! / Warnings!

Please read these Operating Instructions and the attached Safety Information carefully prior to initial operation. Failure to observe the safety warnings may result in accident, injury, or risk to health.

The manufacturer shall not be liable for damage resulting from misuse of the machine or unauthorized alterations.

**Warning:** This product when used for soldering and similar applications, produces chemicals known to the State of California to cause cancer and birth defects or other reproductive harm.

### Safety Information:

- Always place the soldering iron in its original holder
- Remove all inflammable objects from the proximity of the hot soldering tool.
- Use suitable protective clothing to prevent the risk of burns associated with molten solder.
- Never leave a hot soldering iron unattended.
- Never work on electrically live circuits or components.
- Always wear eye protection when working with soldering and desoldering applications.

The Weller WHA900 Hot Air Station corresponds to the EC Declaration of Conformity in accordance with the basic safety requirements of Directives 89/336/EEC and 73/23EEC.

## 2. Description

The WHA900 hot air station was developed for general soldering re-work on Surface Mount components. The temperature of the hot air is controlled electronically and is variable between 100°F and 1000°F. 120 VAC (8) is required to operate the unit. The air flow is variable electronically within the range of approximately 5-50 l/minute and is generated by a self contained pump. The hot air is activated using the Start/Stop Push Button, (5) at the front of the unit.

The WHA900 is grounded through the 120 VAC three wire power cord.

### Standby mode:

This unit has a power-on function to activate a Standby Mode (or secondary temperature airflow setting). Before switching on the unit, choose the Temperature and the Airflow settings that you would prefer to use for the Standby Mode of operation.

#### Activating Standby:

Adjust the Temperature and Airflow control to the desired Standby setting. Depress the Start/Stop push button and hold while switching on the unit. Keep the button depressed for approximately 5 seconds after turning the unit on. The pump will start and the Standby function is activated. When the unit is switched on, the Temperature and the Airflow will be set to the Standby values. When you depress the Start/Stop push button, the Airflow and Temperature will go to the actual "Set" values. The actual "Set" values should be set at a normal Temperature and Airflow settings capable of performing the rework application. Depress the button again and the unit will go back to the Standby values.

**Note:** To change the Standby settings, you must first Deactivate Standby Mode as described below.

#### Deactivating Standby:

If the Standby function is activated, depress the Start/Stop push button while switching on the unit. Keep the button depressed for about 5 seconds. The unit is now in the original operating mode. Repeat the "Activating Standby" directions to assign new preferred settings.

## 3. Placing Into Operation

**Note:** Safety rest must be formed before tool use.

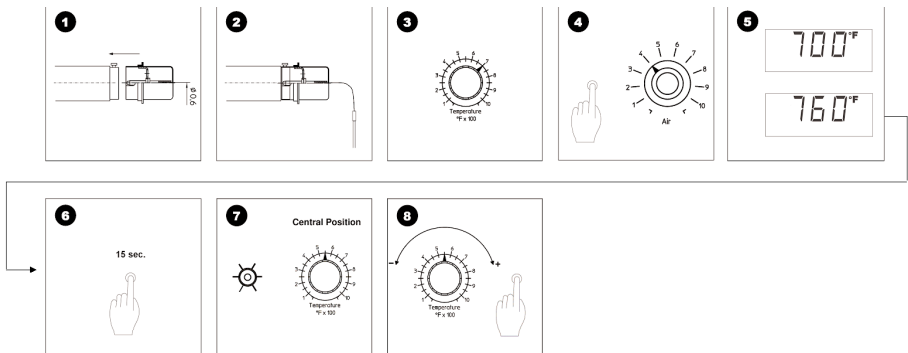
Place the hot air pencil in the formed safety rest with the nozzle in a raised position to prevent damage to work bench. Check to be sure the supply voltage is consistent with the information on the station label. Before connecting to the 120 VAC power source, set the desired temperature (2) and the air flow on (3) and switch on the unit at the power switch (4). The LED will flash slowly to indicate the unit has reached the Set Temperature.

The Airflow and Temperature are activated after depressing the Start/Stop Push Button. Heat-up time of the nozzle depends primarily on the size of the nozzle and the air flow.

**Warning: Do not direct the hot air pencil at people or inflammable objects.**

### Temperature Offset

1. With the WHA900 off and the heater cooled down. Place Measuring Nozzle ( 0058736875 ) on to the end of the Hot Air Pencil and fasten it with the set screw.
2. Insert the 0.5mm Type "K" Thermocouple, ( 0058736786 ) into the hole of the Measuring Nozzle and place the Hot Air Pencil in the safety rest. Switch the device on.
3. Choose the temperature you want to adjust with the temperature knob.
4. Activate the unit with the Start / Stop push button. Set the Airflow Knob to 4. Wait approximately 5 minutes before continuing.
5. Read the temperature value indicated on the measuring instrument.
6. If the temperature has to be corrected, depress and hold the Start / Stop push button for approximately 15 seconds while the hot air is activated. The green LED (1) will light continuously.
7. While the green LED (1) is continuously lit, immediately turn the temperature knob slightly beyond center and rotate back to the center position (550 °F). This will be your "zero" point for adjustments. Rotate clockwise for positive and counterclockwise for negative adjustments.
- 8 Adjust the temperature knob until the desired setting is indicated on the measuring device and has stabilized. Depress the Start / Stop push button to confirm.
9. The Temperature Offset function is now complete. You may adjust the temperature knob to your original setting.
10. Repeat steps 3-9 if additional Offset is required.



## 4. Operating guidelines

Changing the nozzles;

The hot air nozzles are fixed to the heating element with a set/attachment screw. Loosen the set/attachment screw to remove nozzles.

## 5. Accessories

For Nozzle range see " Hot Air Nozzles ".

0051504899 - Multiple Rest for six nozzles.

0051504999 - Nozzle Exchange Tool

2.5 mm Hex Wrench

## 6. Packing List

WHA900 Control Unit

Power Cord

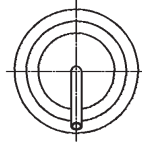
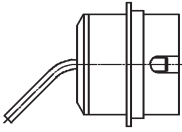
Safety Rest

( 1 ) Set / Attachment Screw

Operating Instructions

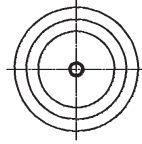
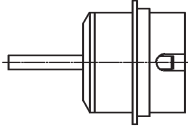
Safety Information

**Subject to technical change without notice!**



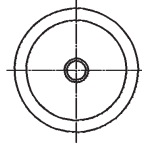
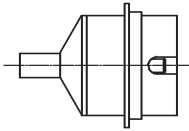
NR02

Ø 1,7 x 45° mm  
Ø .067 x 45° in  
0058736882



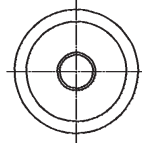
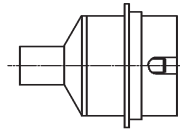
NR04

Ø 2.5 mm  
Ø .098 in  
0058736881



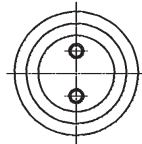
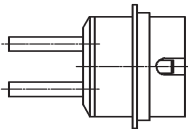
NR05

Ø 4 mm  
Ø .157 in  
0058736867



NR10

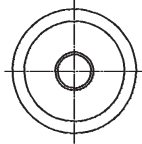
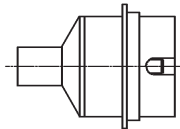
Ø 7 mm  
Ø .280 in  
0058736870



DR05

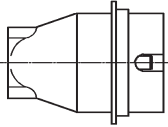
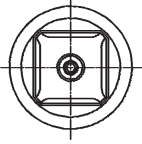
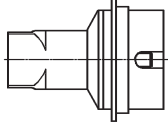
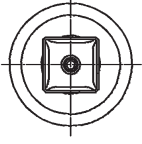
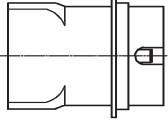
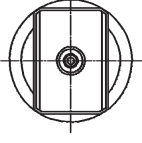
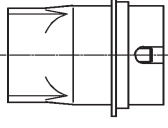
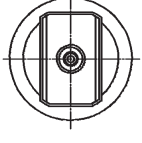
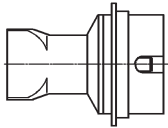

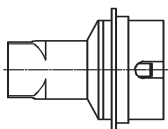

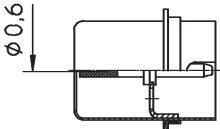
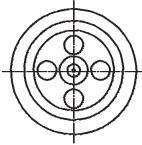
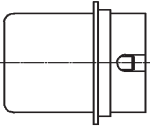
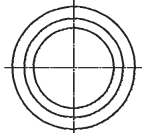
Ø 2,5 x 9,5 mm  
Ø .098 x .374 in  
0058736883

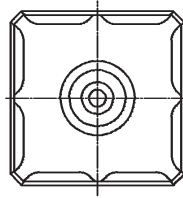
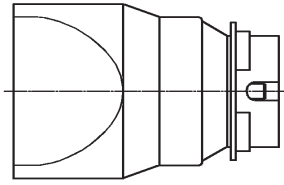
Made to  
Order



RD11

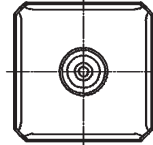
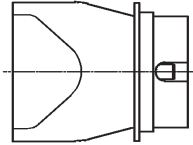
Ø 11.5 mm  
Ø .453 in  
0058736836

		NQ10	<b>14,8 x 14,8 mm</b> <b>.583 x .583 in</b> <b>0058736818</b>
		NQ05	<b>11 x 11 mm</b> <b>.433 x .433 in</b> <b>0058736839</b>
		ND20	<b>21,5 x 14,8 mm</b> <b>.846 x .583 in</b> <b>0058736840</b>
		ND15	<b>19 x 12 mm</b> <b>.748 x .472 in</b> <b>0058736841</b>
		ND10	<b>14 x 10 mm</b> <b>.551 x .394 in</b> <b>0058736842</b>
		ND05	<b>10 x 8 mm</b> <b>.394 x .315 in</b> <b>0058736843</b>
		NA20	<b>Measuring</b> <b>Nozzle</b> <b>0058736875</b>
		NA10	<b>Adapter</b> <b>0058750722</b>



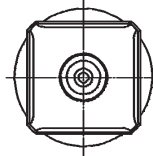
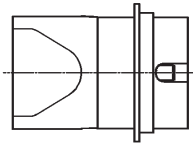
NQ45

**31.3 x 31.3 mm**  
**1.23 x 1.23 in**  
**0058736833**



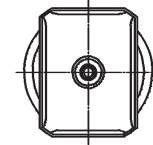
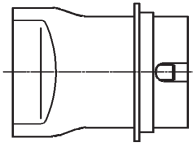
NQ40

**26 x 26 mm**  
**1.024 x 1.024 in**  
**0058736804**



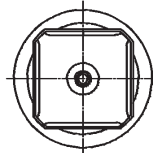
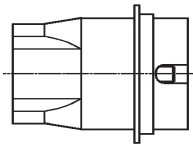
NQ35

**20.5 x 20.5 mm**  
**.807 x .807 in**  
**0058736807**



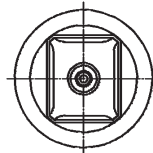
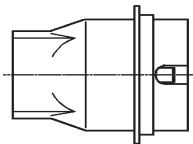
NQ30

**17.5 x 23.5 mm**  
**.689 x .925 in**  
**0058750721**



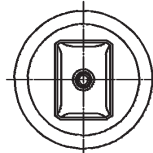
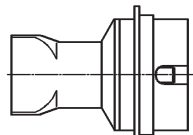
NQ25

**18 x 18 mm**  
**.709 x .709 in**  
**0058736814**



NQ20

**15.5 x 13 mm**  
**.610 x .512 in**  
**0058736837**

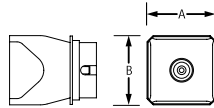


NQ15

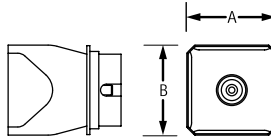
**14 x 10 mm**  
**.551 x .394 in**  
**0058736838**



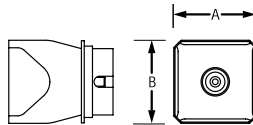
## Made To Order Nozzles ( Contact for Quote )



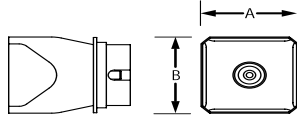
**24 x 12 mm**  
**.945 x .472 in**  
**0058736880**



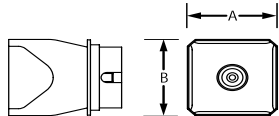
**43 x 43 mm**  
**1.693 x 1.693 in**  
**0058736890**



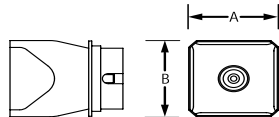
**36 x 36 mm**  
**1.417 x 1.417 in**  
**0058736891**



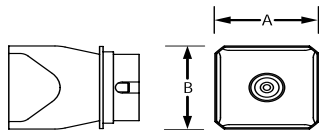
**27 x 14 mm**  
**1.063 x .551 in**  
**0058736892**



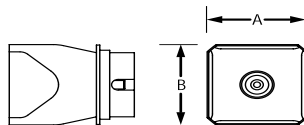
**29 x 17 mm**  
**1.142 x .669 in**  
**0058736877**



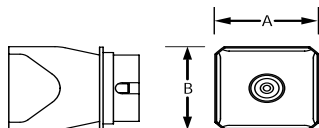
**35.5 x 23 mm**  
**1.398 x .906 in**  
**0058736998**



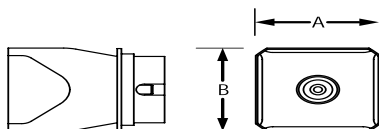
**48.5 x 30.5 mm**  
**1.909 x 1.201 in**  
**0058736999**



**44 x 32 mm**  
**1.732 x 1.260 in**  
**0058736858**

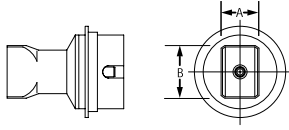


**48.5 x 38 mm**  
**1.909 x 1.496 in**  
**0058750709**

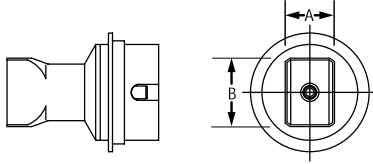


**61 x 38 mm**  
**2.402 x 1.496 in**  
**0058750714**

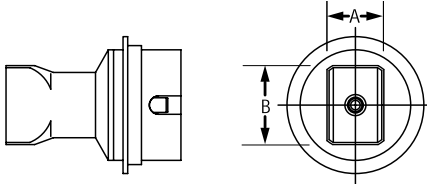
Made To Order Nozzles ( Contact for Quote )



**12 x 27 mm**  
**.472 x 1.063 in**  
**0058736880**



**38 x 38 mm**  
**1.496 x 1.496 in**  
**0058736890**



**40 x 40 mm**  
**1.575 x 1.575 in**  
**0058736891**



[www.cooperhandtools.com](http://www.cooperhandtools.com)

**U.S Mailing Address:**

**Cooper Hand Tools**

P.O. Box 728

Apex, NC 27502-0728

**U.S Shipping Address:**

1000 Lufkin Road

Apex, N.C. 27539

Tel: (919) 387-0099

Fax: (919) 387-2379

For inquiries concerning Technical /  
Customer Service please call:

(800) 476-3030 Ext. 1

**Canada Shipping Address:**

**Cooper Tools**

164 Innisfil Street

Barrie, Ontario

Canada L4N 3B7

Attn: Repairs

Fax: 1-800-403-TOOL (8665)

Phone: 705-728-5564 Ext. 2026

Weller is a registered Trademark and registered Design of Cooper Industries, Inc.