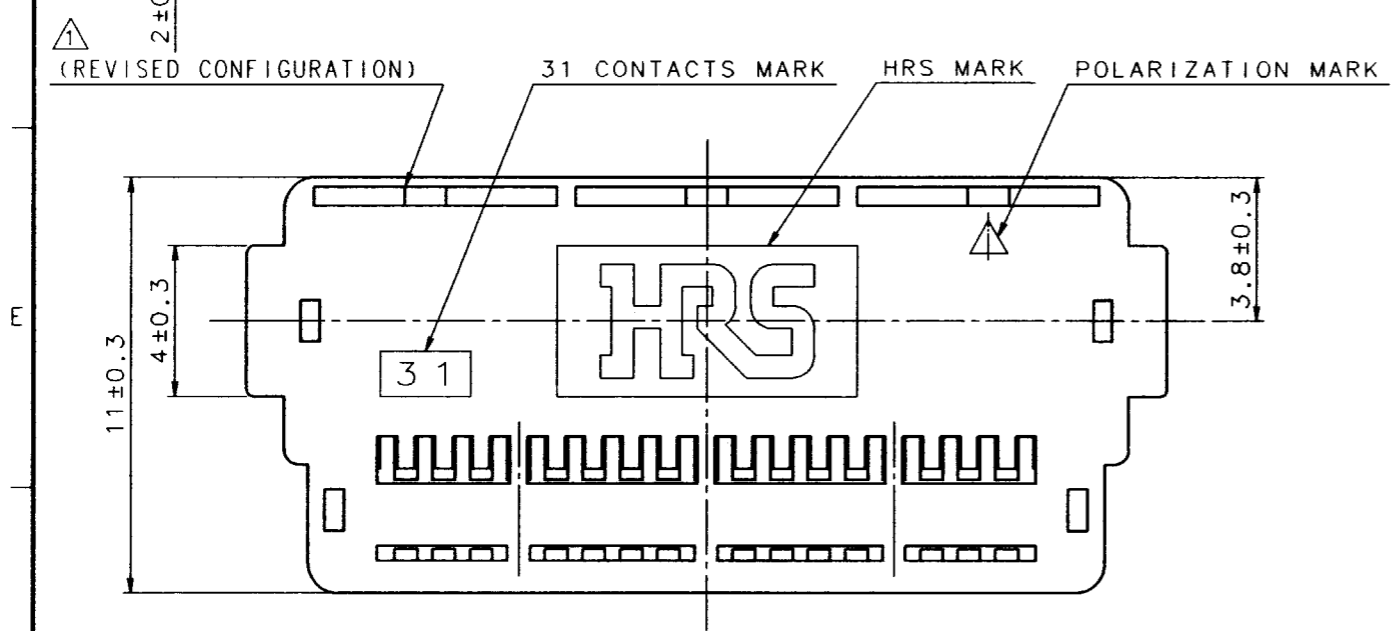
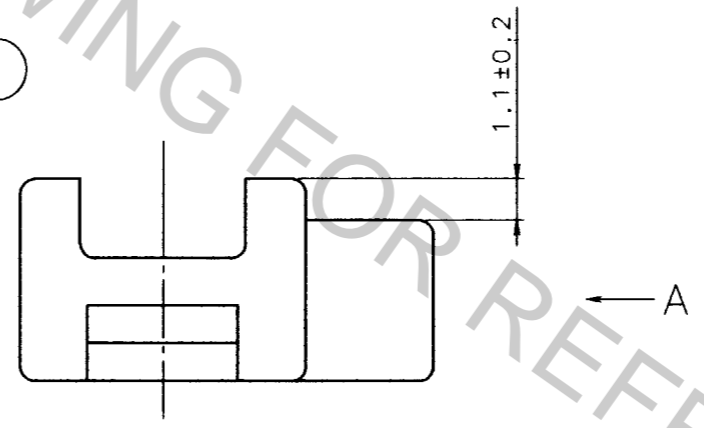
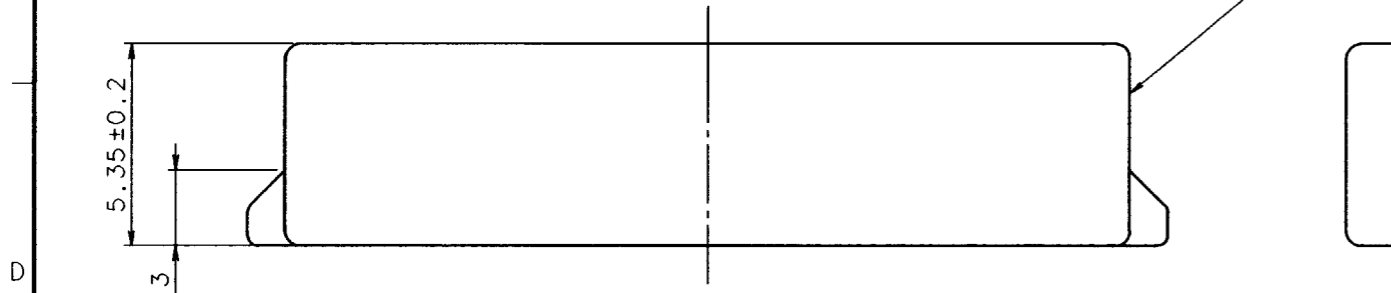
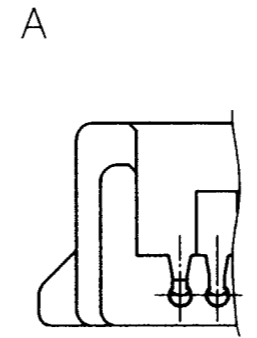
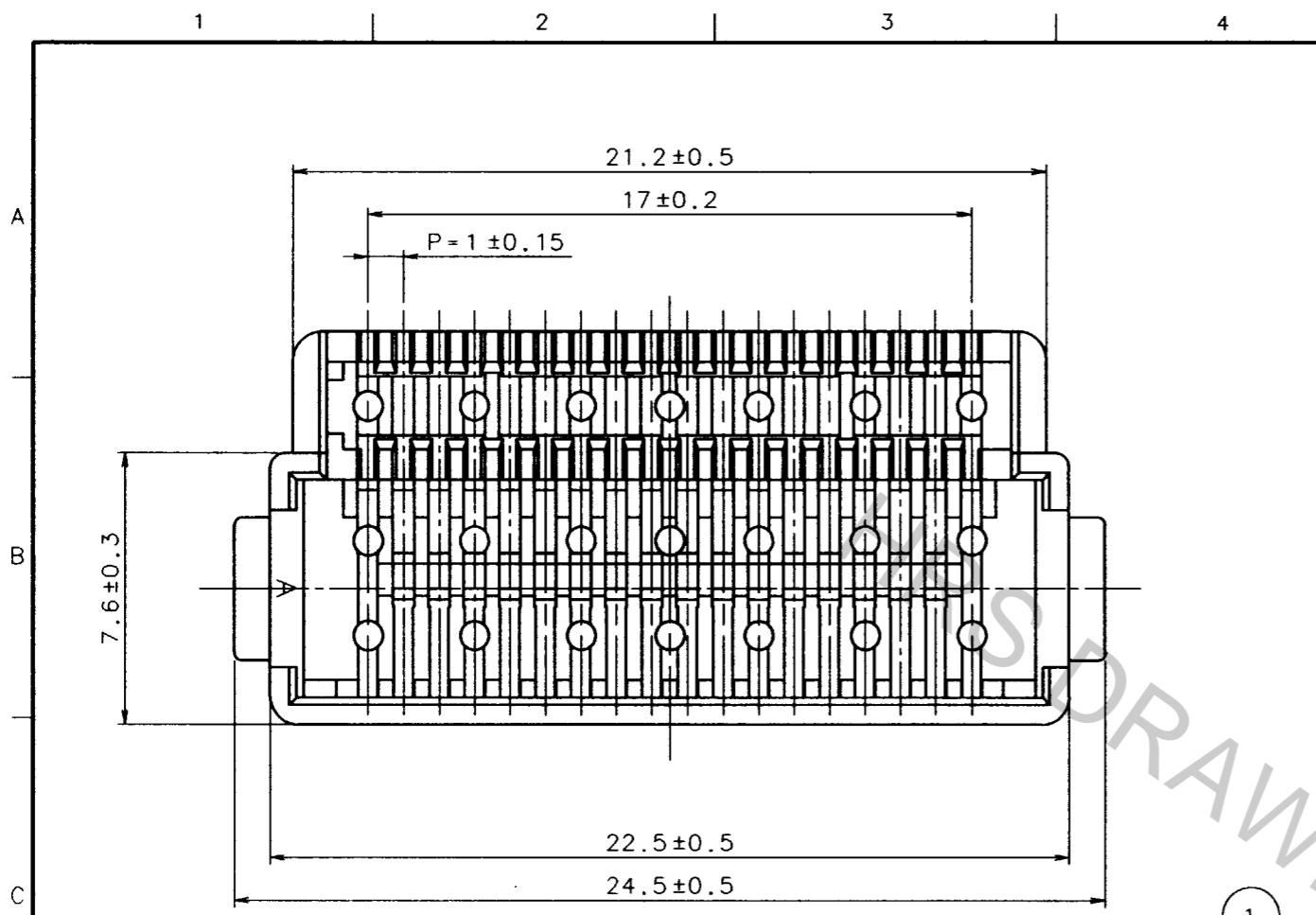


Apr.1.2017 Copyright 2017 HIROSE ELECTRIC CO., LTD. All Rights Reserved.

COUNT	DESCRIPTION OF REVISIONS	BY	CHKD	DATE	COUNT	DESCRIPTION OF REVISIONS	BY	CHKD	DATE
1	RE-H-02172	T.G	J.O	17.4.17					



NOTE1: SEE DRAWING OF CL540-0231-3 REGARDING HOW TO ASSEMBLE AND APPLICABLE CABLE.

TO

NO.	MATERIAL	FINISH, REMARKS	1	POLYAMIDE	GRAY(NATURAL), UL94V-0		
CODE NO. (OLD)	CL		DRAWN	DESIGNED	CHECKED	APPROVED	RELEASED
			T.Goi	T.Goi	T.Oma	M.Yamamoto	
			96.11.25	96.11.25	96.12.10	96.12.11	
SCALE	DRAWING NO. EDC3-160591-01		PART NO. DF9M-31S-1R-PA				
UNITS	mm		CODE NO. CL540-0232-6				
	HRS HIROSE ELECTRIC CO., LTD.						