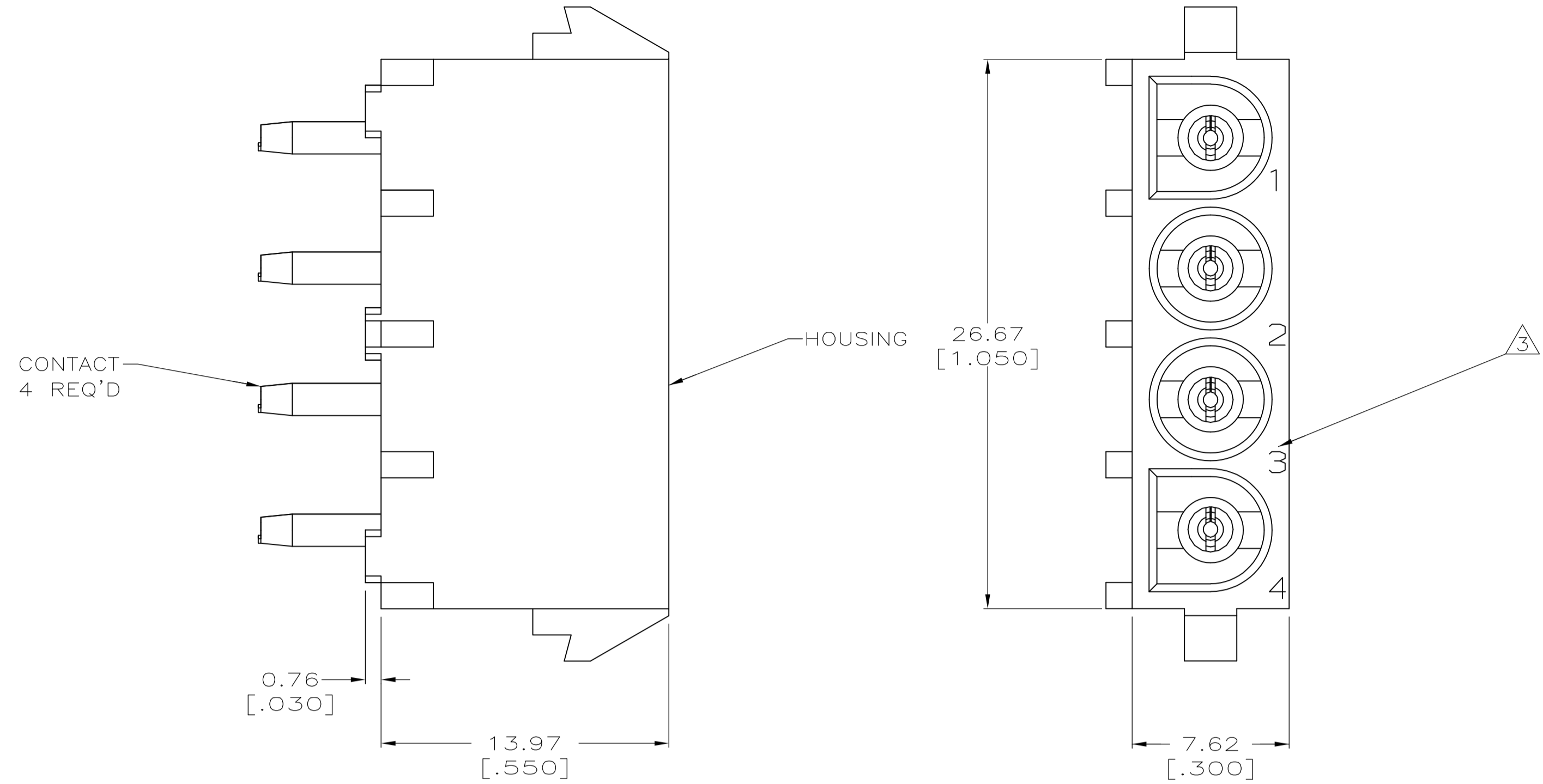
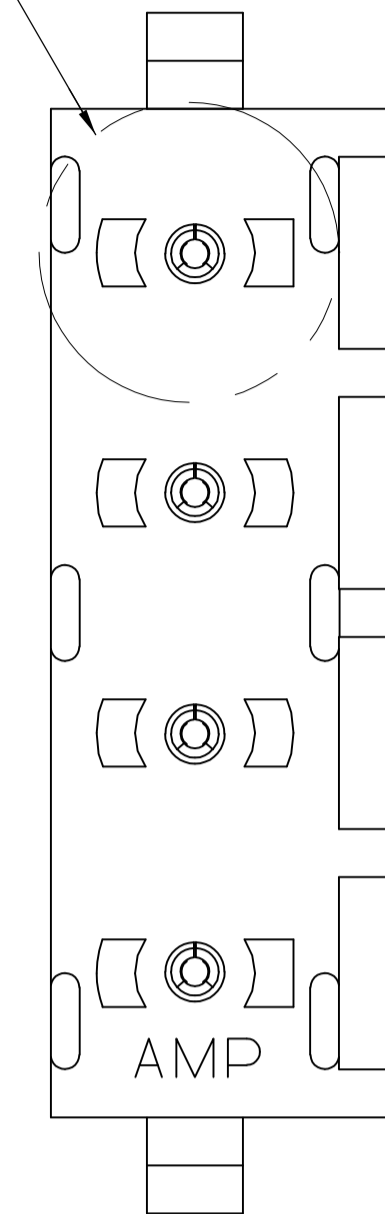
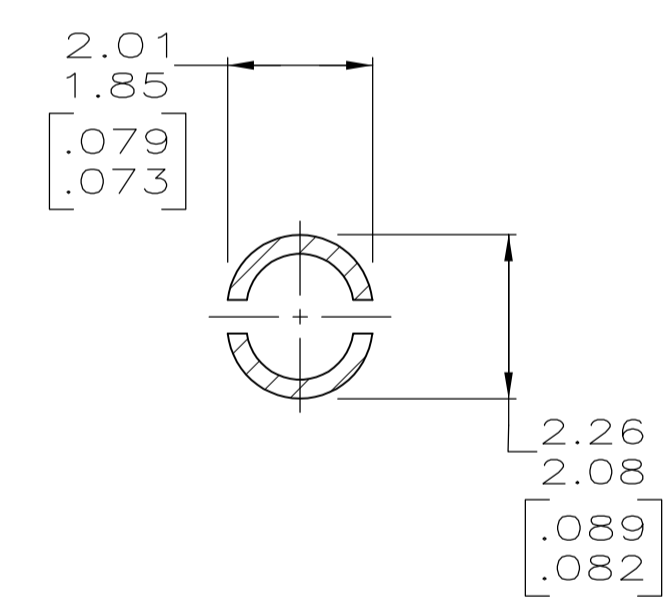
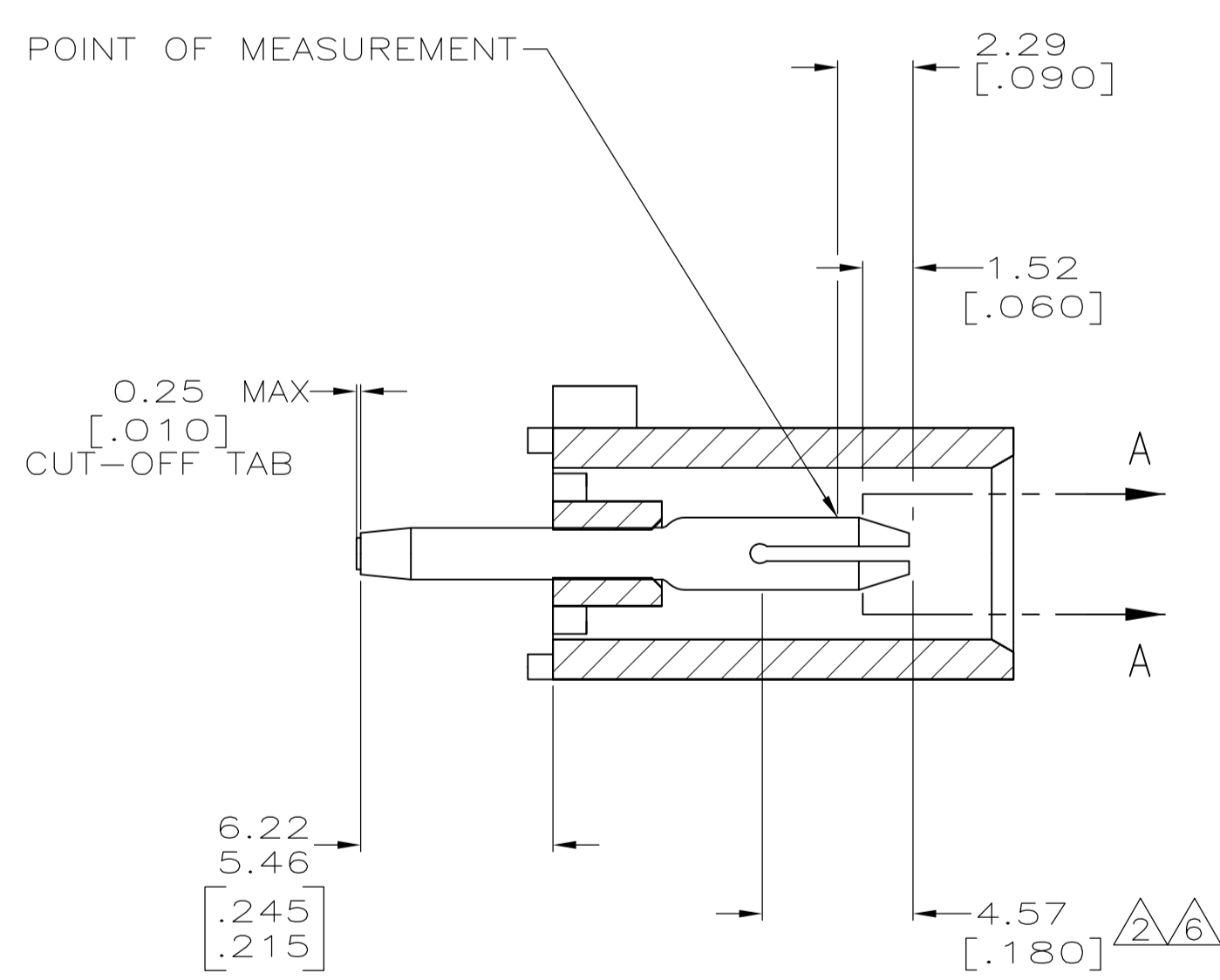


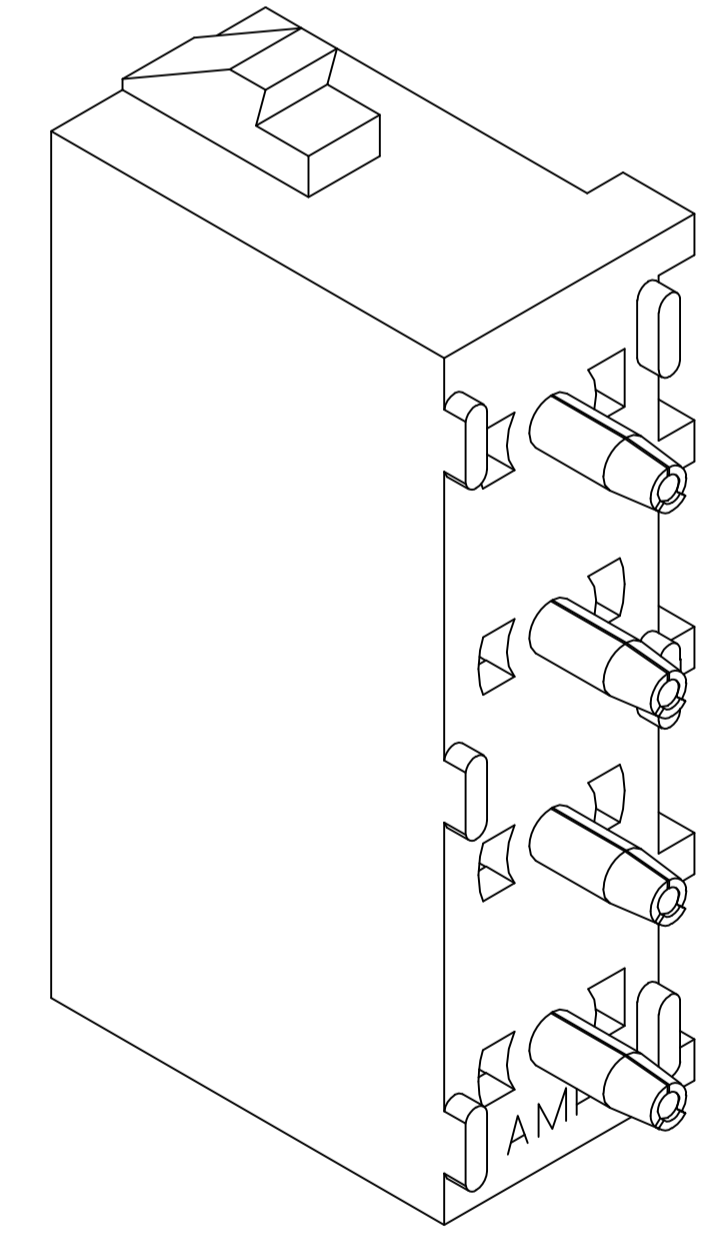
SEE DETAIL A



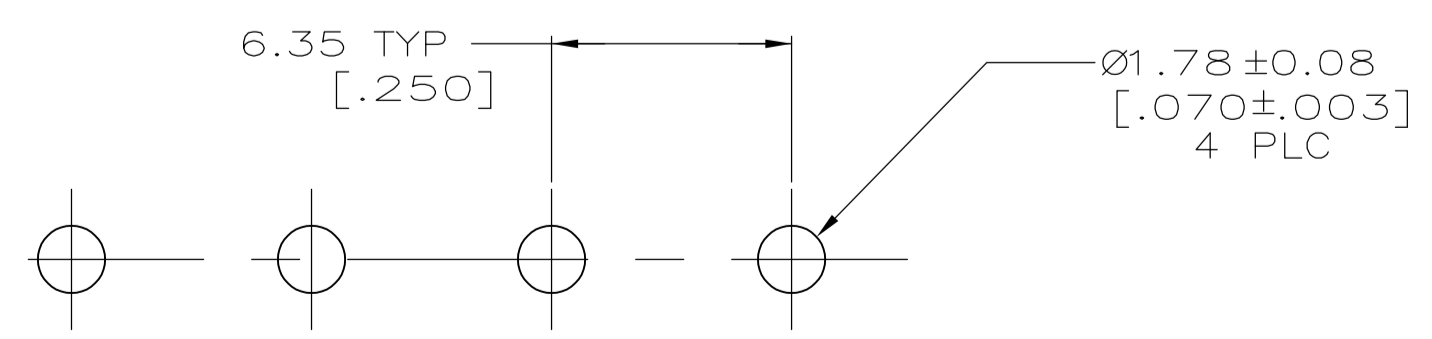
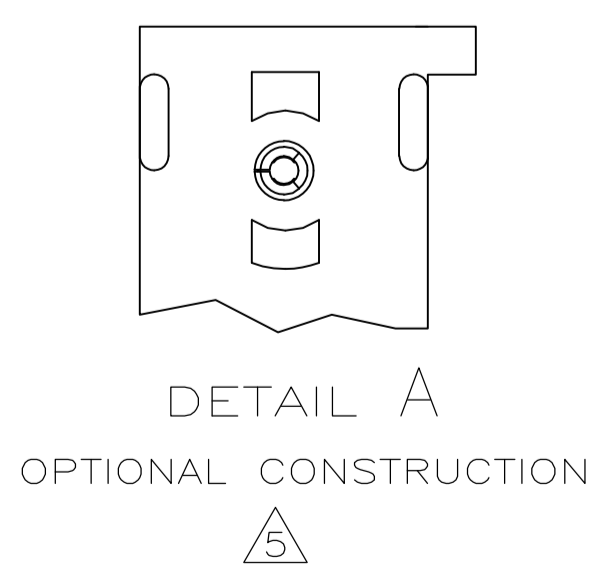
- 1 PARTS COMPLY TO AMP SOLDERABILITY SPECIFICATION 109-11-3.
- 2 CONTACT IS PLATED OVERALL WITH 0.00127 [.000050] NICKEL, THEN 0.00076 [.000030] GOLD OVER CONTACT LENGTH INDICATED AND MATTE TIN LEAD ON SOLDER TAIL END.
- 3 CIRCUIT IDENTIFICATION CHARACTERS ARE ADJACENT TO THE INDICATED CAVITIES, BUT LOCATION AND ORIENTATION MAY DIFFER FROM PRINT.
- 4 DIMENSIONS IN BRACKETS ARE IN INCHES.
- 5 DRAIN HOLES LOCATED AS SHOWN. OPTIONAL CONSTRUCTION - ALL DRAIN HOLES LOCATED 90° AS SHOWN IN DETAIL A.
- 6 CONTACT IS PLATED OVERALL WITH 0.00127 [.000050] NICKEL, THEN 0.00076 [.000030] GOLD OVER CONTACT LENGTH INDICATED AND MATTE TIN ON SOLDER TAIL END.
- 7 SUPERSEDED BY 350584-4



SECTION A-A SCALE 10:1



3-DIMENSIONAL MODEL NTS



RECOMMENDED MOUNTING HOLE PATTERN FOR 3.18 [.125] THICK P.C. BOARD

PHOSPHOR BRONZE, GOLD	NYLON, UL94-V-2, NATURAL	350584-4
PHOSPHOR BRONZE, GOLD	NYLON, UL94-V-2, NATURAL	350584-2
PHOSPHOR BRONZE, PRE-TIN	NYLON, UL94-V-2, NATURAL	350584-1
PIN CONTACT MATERIAL AND FINISH	HOUSING MATERIAL	PART NUMBER

THIS DRAWING IS A CONTROLLED DOCUMENT.		DIN 8-25-98	TE Connectivity	
DIMENSIONS: mm [INCHES]		8-25-98	PIN HEADER ASSEMBLY, 4 CIRCUIT UNIVERSAL MATE-N-LOK™	
TOLERANCES UNLESS OTHERWISE SPECIFIED:		8-25-98	UNIVERSAL MATE-N-LOK™	
0 PLC ± -	1 PLC ± -	NAME	SIZE	
2 PLC ± 0.13 [.005]	3 PLC ± -	APPLICATION SPEC	CAGE CODE	
4 PLC ± -	ANGLES ± 0°30'	WEIGHT	DRAWING NO	
MATERIAL SEE TABLE	FINISH SEE TABLE	SCALE	RESTRICTED TO	
		5:1	CUSTOMER DRAWING	
		SHEET 1 OF 1	REV V1	