

13 12 11 10 9 8 7 6 5 4 3 2 1

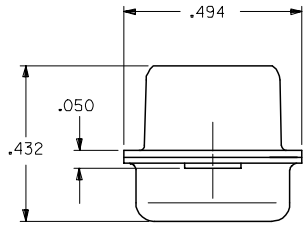
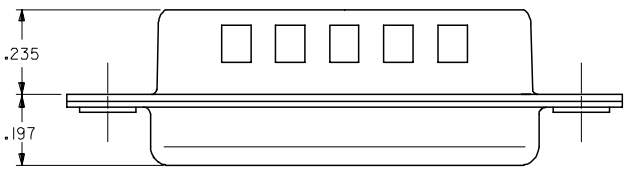
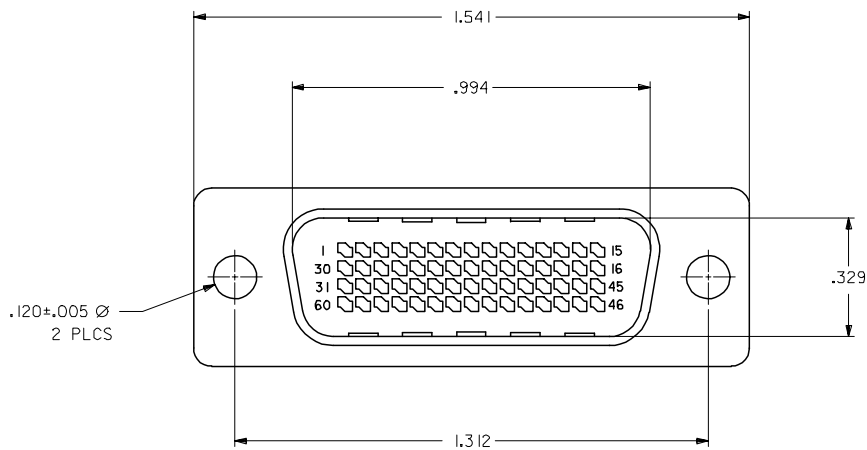
J
I
H
G
F
E
D
C
B
A

J
I
H
G
F
E
D
C
B
A

NOTES:

- 1) PLASTIC HOUSING:
GLASS FILLED LCP (LIQUID CRYSTAL POLYMER), UL 94 V-0, COLOR: BLACK.
- 2) FRONT SHELL:
DEEP DRAWN STEEL, .020" THICK;
PLATING: SEE TABLE
BRIGHT TIN: 150-250 MICROINCHES BRIGHT TIN OVER 50-150 MICROINCHES NICKEL OVER COPPER FLASH OVERALL (OPTIONAL).
BRIGHT NICKEL: 100-175 MICROINCHES BRIGHT NICKEL OVER 50 MICROINCHES MAXIMUM COPPER OVERALL.
- 3) BACK SHELL:
DEEP DRAWN STEEL, .016" THICK;
PLATING: 150-250 MICROINCHES BRIGHT TIN OVER 50-150 MICROINCHES NICKEL OVER COPPER FLASH OVERALL (OPTIONAL).
- 4) THIS CONNECTOR CONFORMS TO PRODUCT SPECIFICATION PS-70928.
- 5) PACKAGING SPECIFICATION PK-70873-0236 APPLIES.
- 6) SEE APPLICATION SPECIFICATION PS-70929 FOR ASSEMBLY AND TERMINATION DETAILS.
- 7) INSERT-MOLDED TERMINAL STRIP ASSEMBLIES ARE SUPPLIED SEPARATELY (SEE SHEET 2 FOR ORDERING INFORMATION).

NOTE FOR LEAD FREE CONVERSION:
THE PRIMARY SHIPPING CARTON WILL BE LABELED "COMPLIANT TO RoHS DIRECTIVE 2002/95/EC AND ELV ANNEX II OF DIRECTIVE 2000/53/EC". CARTONS WITHOUT THIS LABEL MAY CONTAIN PRODUCT WITH LEAD.



2	A
1	B
SHT	REV

PART NO.	PRODUCT DESCRIPTION	FRONT SHELL PLATING
70929-2020	60 CKT. I/O PLUG CONNECTOR SUB-ASSEMBLY	BRIGHT TIN
70929-2029	60 CKT. I/O PLUG CONNECTOR SUB-ASSEMBLY	BRIGHT NICKEL

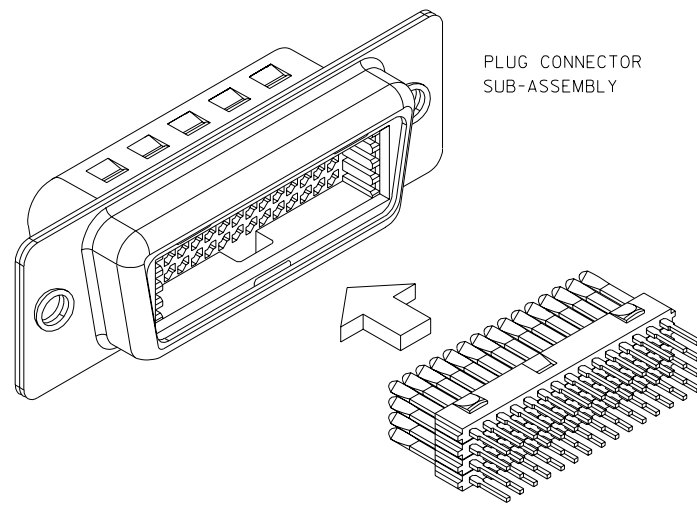
ADD 70929-2029	2006/02/06
EC NO: UICP2006-0666	2006/02/06
DRWN:MS/BARRA	2006/02/07
CHKD:DMORGAN	2006/02/07
APPR:SMILLER	2006/02/09
REV	DESCRIPTION

QUALITY SYMBOLS	GENERAL TOLERANCES (UNLESS SPECIFIED)
▽=0	mm
▽=0	INCH
	4 PLACES ± --- ± ---
	3 PLACES ± --- ± ---
	2 PLACES ± --- ± ---
	1 PLACE ± --- ± ---
	ANGULAR ±1/2°
	DRAFT WHERE APPLICABLE MUST REMAIN WITHIN DIMENSIONS

DIMENSION STYLE	SCALE	DESIGN UNITS	THIRD ANGLE PROJECTION
INCH ONLY	4:1	INCH	☉
DRAWN BY	DATE	TITLE	
RKA	2004/08/16	SALES ASSEMBLY LFH 60CKT I/O PLUG FOR CABLE ASSEMBLIES	
CHECKED BY	DATE		
BB	2004/08/16		
APPROVED BY	DATE		
SM	2004/08/16		
MATERIAL NO.	DOCUMENT NO.	SHEET NO.	
SEE TABLE	SD-70929-001	1 OF 2	
SIZE	THIS DRAWING CONTAINS INFORMATION THAT IS PROPRIETARY TO MOLEX INCORPORATED AND SHOULD NOT BE USED WITHOUT WRITTEN PERMISSION		
C			

MOLEX	MOLEX INCORPORATED
-------	--------------------

12 11 10 9 8 7 6 5 4 3 2 1



PLUG CONNECTOR
SUB-ASSEMBLY

INSERT MOLDED TERMINAL STICKS
SUPPLIED SEPARATELY
SEE SALES DRAWING: SDA-70984-100*
NOTE: STICKS SHOWN WITH CARRIER REMOVED

70929

A	SEE SHEET 1
---	-------------

DIMENSIONS SHOWN (METRIC) INCH UNLESS OTHERWISE SPECIFIED TOLERANCES: ANGULAR ± 1/2°		▽ = 0 ▼ = 0		REVISE ONLY ON CAD SYSTEM																															
<table border="1"> <tr> <td>3 PLACE</td> <td>±</td> <td>INCH</td> <td>---</td> <td>METRIC</td> <td>---</td> </tr> <tr> <td>2 PLACE</td> <td>±</td> <td>INCH</td> <td>±</td> <td>METRIC</td> <td>±</td> </tr> <tr> <td>1 PLACE</td> <td>---</td> <td>INCH</td> <td>±</td> <td>METRIC</td> <td>±</td> </tr> </table>		3 PLACE	±	INCH	---	METRIC	---	2 PLACE	±	INCH	±	METRIC	±	1 PLACE	---	INCH	±	METRIC	±	<table border="1"> <tr> <td>FROM:</td> <td>MOLEX INCORPORATED</td> <td>SHEET NO.</td> <td>DATE</td> </tr> <tr> <td>LITSL,ILL.</td> <td>60532</td> <td>U.S.A.</td> <td>04/8/16</td> </tr> </table>		FROM:	MOLEX INCORPORATED	SHEET NO.	DATE	LITSL,ILL.	60532	U.S.A.	04/8/16	<table border="1"> <tr> <td>PART NO.</td> <td>DRWG. NO.</td> </tr> <tr> <td>SEE SHEET 1</td> <td>SD-70929-001</td> </tr> </table>		PART NO.	DRWG. NO.	SEE SHEET 1	SD-70929-001
3 PLACE	±	INCH	---	METRIC	---																														
2 PLACE	±	INCH	±	METRIC	±																														
1 PLACE	---	INCH	±	METRIC	±																														
FROM:	MOLEX INCORPORATED	SHEET NO.	DATE																																
LITSL,ILL.	60532	U.S.A.	04/8/16																																
PART NO.	DRWG. NO.																																		
SEE SHEET 1	SD-70929-001																																		
DRWG. BY: RKA	CHK'D. BY: BB	FILE NAME: S70029X1	THIS DRAWING CONTAINS INFORMATION THAT IS PROPRIETARY TO MOLEX INC. AND SHOULD NOT BE USED WITHOUT WRITTEN PERMISSION.	DIV.:	SIZE: CD																														
APP'D. BY: SM	SCALE: 4: 1	DRN																																	