



Introducing ALCOSWITCH Blue Series Pushbutton

The new ALCOSWITCH Blue Series pushbutton is based on an innovative snap-action mechanism that produces an extremely fast switching moment. This high level of dynamics not only reduces arcing and bounce but it also results in a high number of duty cycles. The new series comprises versions with SPDT and DPDT configurations and can be ordered with push on / push off or momentary function. The actuator cap of the push-button switch is available in many colors and sizes.

KEY FEATURES

- Miniaturized snap acting pushbutton
- Contacts with silver inlay (high power) or gold inlay (low current, SPDT)
- SPDT and DPDT
- 50,000 cycles for gold plating
- 25,000 cycles for silver plating
- Tactile and audible feedback
- Wire lug or PC board terminals
- Contact rating up to:
 - 1.5A @ 250VAC (EMEA)
 - 3A @ 125VAC (North America)
- Hardware included
- Boot Seals available
- Multiple actuator buttons available in both color and size

APPLICATIONS

The new switch is well suited for designs requiring human interface via pushbutton style switches including:

- Industrial equipment
- Medical equipment
- Instrumentation
- Communication equipment
- Control equipment

STANDARDS

- RoHS Directive 2002/95/E compliant

SAMPLES NOW AVAILABLE

OPERATING EFFICIENCY

This miniature pushbutton is easily integrated into compact control/front panels. Despite its small case dimensions, the actuator gives a clear reliable feedback that confirms proper operation. At 265°C the solder heat resistance of the ALCOSWITCH Blue Series pushbuttons is high enough for efficient, RoHS compliant wave soldering technology.

TYPICAL PERFORMANCE CHARACTERISTICS

• Number of poles:	1 to 2
• Contact Timing:	Break-before-make
• Switch Functions:	ON-ON, ON-(ON)
• Contact Rating:	1.5A @ 250VAC (EMEA) 3A @ 125VAC (North America)
• Gold Contact:	60mA @ 30VDC
• Electrical life (<i>pushbutton only</i>):	Gold: 50,000 cycles Silver: 25,000 cycles
• Contact resistance:	Gold: 20mOhms max. @ 100mA, 2 - 4VDC Silver: 10mOhms max. @ 1A, 2 - 4 VDC
• Insulation resistance	1,000 MOhms min. @500VDC
• Dielectric strength	1,000V for 1 minute
• Actuator force	Single pole - 7 to 14 oz. (<i>200 to 400 grams</i>) Double pole - 14 to 25 oz. (<i>400-700 grams</i>)
• Actuator travel	Momentary .040" (<i>1.02</i>) Push on/push off .098" (<i>2.49</i>)
• Life Expectancy:	Up to 50,000 actuations

ENVIRONMENTAL SPECIFICATIONS

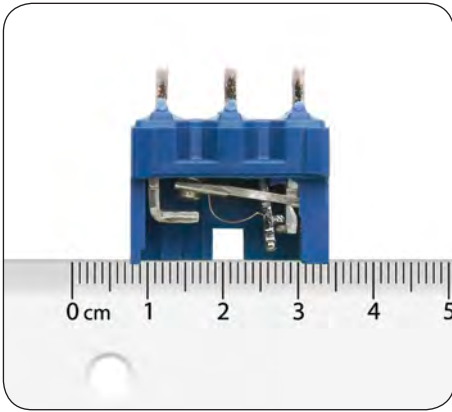
• Operating temperature:	-20°C to +80°C
• Storage temperature:	-40°C to +80°C

MATERIALS

• Contacts:	Brass with silver inlay or gold plating
• Actuator:	Brass nickel plated
• Terminals:	Brass with silver inlay or gold plated
• Terminal seal:	Epoxy
• Case:	Epoxy resin UL94V-0
• Frame:	Stainless steel

te.com/products/switches





Cross Section



SPDT PCB Gold



DPDT Wire Lug Silver

PRODUCT KEY

		Typical Product Key		MPS	1	004	D	PC
Type								
MPS	Miniature pushbutton snap action							
Number of poles								
1	Single pole							
2	Double pole							
Contact rating								
004	60mA 30v DC							
03	3A 125V AC							
Function								
D	Push-on/Push-off				F	Pole momentary		
N	2 Pole Push-on/Push-off				R	2 pole momentary		
Terminals								
PC	Printed Circuit Board							
Blank	Wire lug							

PRODUCT OFFERING

ALCOSWITCH Part Number	TE Part Number	Poles	Throws	Function	Connected Terminals		Terminal	Plating/Inlay
MPS1004D	1977737-1	1	2	On/On	3-2	3-1	Wire lug	gold
MPS1004F	1977737-2	1	2	On/(On)	3-2	3-1	Wire lug	gold
MPS2004N	1977737-3	2	2	On/On	3-2, 6-5	3-1, 6-4	Wire lug	gold
MPS2004R	1977737-4	2	2	On/(On)	3-2, 6-5	3-1, 6-4	Wire lug	gold
MPS1004DPC	1977738-1	1	2	On/On	3-2	3-1	PC	gold
MPS1004FPC	1977738-2	1	2	On/(On)	3-2	3-1	PC	gold
MPS2004NPC	1977738-3	2	2	On/On	3-2, 6-5	3-1, 6-4	PC	gold
MPS2004RPC	1977738-4	2	2	On/(On)	3-2, 6-5	3-1, 6-4	PC	gold
MPS103D	1977739-1	1	2	On/On	3-2	3-1	Wire lug	silver
MPS103F	1977739-2	1	2	On/(On)	3-2	3-1	Wire lug	silver
MPS203N	1977739-3	2	2	On/On	3-2, 6-5	3-1, 6-4	Wire lug	silver
MPS203R	1977739-4	2	2	On/(On)	3-2, 6-5	3-1, 6-4	Wire lug	silver
MPS103DPC	1977740-1	1	2	On/On	3-2	3-1	PC	silver
MPS103FPC	1977740-2	1	2	On/(On)	3-2	3-1	PC	silver
MPS203NPC	1977740-3	2	2	On/On	3-2, 6-5	3-1, 6-4	PC	silver
MPS203RPC	1977740-4	2	2	On/(On)	3-2, 6-5	3-1, 6-4	PC	silver

While TE has made every reasonable effort to ensure the accuracy of the information in this brochure, TE does not guarantee that it is error-free, nor does TE make any other representation, warranty or guarantee that the information is accurate, correct, reliable or current. TE reserves the right to make any adjustments to the information contained herein at any time without notice. TE expressly disclaims all implied warranties regarding the information contained herein, including, but not limited to, any implied warranties of merchantability or fitness for a particular purpose. The dimensions in this catalog are for reference purposes only and are subject to change without notice. Specifications are subject to change without notice. Consult TE for the latest dimensions and design specifications.

te.com/products/switches

